



Section 1 ***Introduction***

Welcome Aboard

Dear Formula Owner:

Welcome aboard! We appreciate how much careful thought, research and planning you put into the decision to purchase a new boat, and we are pleased to welcome you as a new member of the Formula family.

Members of the Formula team – your local dealership's personnel as well as all the Formula employees who had a part in building, inspecting and providing support for your boat – are dedicated to delivering the highest quality product possible, and we all share in your pride of ownership.

Your Formula boat will afford you many hours of relaxation and pleasure on the water. Along with the enjoyment, however, comes responsibility for not only yourself but also your passengers and others on the water. This Owner Information Manual is designed to help you familiarize yourself with your new Formula before you take her out on the water and as a quick-reference tool whenever a little information is needed. Your selling dealer will also be glad to help you learn more about your new boat should any questions arise.

We also encourage you, and all those who will be boating with you, to take a safe boating course. The United States Coast Guard Auxiliary, the United States Power Squadron, and the American Red Cross all offer free courses. Call 1-800-336-BOAT for information on the boating course nearest you (in Virginia, call 1-800-245-BOAT). The more you know about boating, the more fun you will have!

Congratulations on your wise decision. We wish many satisfying hours of boating pleasure to you and your crew!

Sincerely,

Scott D. Porter
President

PERFORMANCE CRUISER/SUPER SPORT

NMMA Certification

Formula is a charter member of the National Marine Manufacturers Association (NMMA). This independent organization members include boat, engine and marine equipment manufacturers that are focused on the improvement and safety of boating.

Your new Formula boat is NMMA certified. A NMMA certification not only satisfies the U. S. Coast Guard (USCG) regulations but also the more rigorous equipment and system standards based on those established by the American Boat and Yacht Council, Inc. (ABYC). Your Formula meets or exceeds NMMA safety-based certifications.



Yacht Certification
Figure 1-1

FOR191

DECLARATION OF CONFORMITY

A **CE mark** means the boat complies with European directives for recreational vessels as published by the International Organization for Standardization (ISO).

TABLE OF CONTENTS

Section 1—Introduction

Welcome Aboard.....	1-1
Declaration of Conformity	1-2
Table of Contents	1-3
Owner/Operator Responsibilities	1-5
Publications	1-5
Qualified Boat Operators	1-5
Education Opportunities	1-5
Federal, State and Local Regulations	1-6
Reporting Accidents.....	1-6
Rendering Assistance.....	1-6
Serial Number Locations	1-6
Repair and Modifications	1-6
Environmental Considerations	1-7

Section 2—Boating Safety

Signal Words/Definitions	2-1
Required Safety Equipment.....	2-2
Recommended Equipment	2-5
Emergency Considerations.....	2-5
Hazardous Conditions.....	2-6
Operating By Minors	2-9
Communication	2-9

Section 3—Specifications and Layout

Boating Terminology.....	3-1
Dimensions.....	3-2
27 Performance Cruiser.....	3-3
31 Performance Cruiser.....	3-5
34 Performance Cruiser.....	3-7
37 Performance Cruiser.....	3-9
40 Performance Cruiser.....	3-11
41 Performance Cruiser.....	3-13
370 Super Sport.....	3-15
400 Super Sport.....	3-17

Section 4—Controls and Indicators

Gauges.....	4-1
Switches	4-3
Circuit Breakers.....	4-6
Steering.....	4-7
Remote Controls	4-8
Helm Controls and Indicators	4-8
Cabin Controls and Indicators	4-11
Battery On/Off Switches	4-15

Section 5—System Operation and Equipment

Powertrain	5-1
Fuel System	5-1
Helm System.....	5-1
Bilge and Blower System.....	5-2
DC Electrical.....	5-2
AC Electrical.....	5-4
Shore Power.....	5-5
Generator	5-8
Battery Charger.....	5-10

Air Conditioning System.....	5-10
Fresh Water System.....	5-10
Gray Water System	5-12
Waste Water System.....	5-13
Raw Water System	5-14
Automatic Fire Extinguisher System.....	5-14
Equipment	5-15

Section 6—Getting Underway

Safety Checklist.....	6-1
Basic Safe Boating Rules	6-1
Fueling.....	6-4
Pre-Operational Checks.....	6-5
Boat Trim/Loading	6-6
Boarding	6-6

Section 7—Operation

Starting	7-1
Shifting.....	7-3
Steering	7-3
Running	7-3
Stopping	7-3
Engine Flushing	7-4
Operating at High Speed	7-5
Propeller Effect.....	7-6
Maneuvering Techniques	7-6
Boating At Night	7-8
Special Operating Conditions	7-8
Holding Position	7-8
Trimming-Drive Units and Trim Tabs.....	7-9
Anchoring and Sea Anchors.....	7-12
Towing and Being Towed	7-14
Heavy Weather.....	7-15
Swimming and Diving	7-16
Docking.....	7-18
Mooring Lines.....	7-19
Using Fenders.....	7-20
Navigational Hints	7-20

Section 8—Schedule Checks and Service

After Each Run.....	8-1
Scheduled Maintenance Checks	8-1

Section 9—Care and Maintenance

Interior Cleaning.....	9-1
Exterior Cleaning.....	9-2
Unscheduled Maintenance	9-4
Bilge.....	9-6
Corrosion and Electrolysis	9-6
Galvanic Corrosion Protection	9-7

Section 10—Storage

In-Water Storage Preparation.....	10-1
Lifting the Boat	10-1
Storage Cradle	10-2
Storage/Winterization.....	10-2
Re-activating the Boat After Storage	10-2

Section 11—Troubleshooting

PERFORMANCE CRUISER/SUPER SPORT

Section 12—Warranty and Service

Thunderbird Limited Warranty Policy.....12-2

Section 13—Forms

Service Log13-1

Fuel Log13-2

Float Plan13-3

Useful Information13-4

Transfer Form13-5

OWNER/OPERATOR RESPONSIBILITIES

At the time of delivery, the owner/operator is responsible for:

- Understanding warranty terms and conditions of both the propulsion units and boat.
- Obtaining insurance.
- Examining boat to ensure proper operation of all systems.

Before operating the boat, the owner/operator is responsible for:

- Obtaining state registration of the boat.
- Providing the proper USCG required safety equipment.
- Following proper break-in procedures for the propulsion unit(s).
- Understanding safety information and proper operating procedures within this manual.

While operating the boat, the owner/operator is responsible for:

- Knowing that all safety equipment and personal floatation devices (PFDs) are in good condition and suitable for your boat and passenger load.
- Having at least one other passenger who is capable of handling the boat in an emergency.
- Following safe operating practices and the "Rules of the Road."
- Understanding proper maintenance and knowledge of the boat's operating systems.
- Providing safety training for the passengers.
- Avoiding the use of alcohol and other drugs.
- Providing assistance to other boaters.

Insurance

You must obtain insurance before operating your new boat. Insurance for loss by fire, theft or other causes, or liability protection against accidents is a must for responsible boaters. The boat owner is legally responsible for any damage or injury caused when he, or someone else operating the boat, is involved in an accident. Many states have laws detailing minimum insurance needs. Your insurance agent or your dealer may be able to supply you with more information.

Registration/Documentation

The USCG requires that all power boats operated on the navigable waters of the U. S. must be registered in the state of main use; also, many states require registration in that state whenever boating on waters within their state boundary. Contact your state boating authorities (and neighboring states) for registration information on boats and trailers. Your Formula dealer can supply you with the appropriate forms.

PUBLICATIONS

Your Owner Information Binder includes information about onboard systems and equipment furnished by suppliers other than Formula Boats. Please refer to these manufacturer's manuals for additional operation and maintenance instructions not covered in this manual.

QUALIFIED BOAT OPERATORS

This manual is not intended to provide complete training on all aspects of boat operation. We strongly recommend that all operators of this boat seek additional training on boat handling and safety. Have all operators become familiar with the handling characteristics, and proper steering and control system usage before attempting high-speed operation.

Some states require youths 16 years of age and younger to complete a boating safety course before operating any watercraft. Many others require operators under the age of 18 to be licensed in small boat operation.

EDUCATION OPPORTUNITIES

Boat smart from the start, take a boating safety course and get a free vessel safety check annually for your boat. For more information, contact: United States Coast Guard Auxiliary, 1-800-368-5647, www.cgaux.org; United States Power Squadrons, 1-888-FOR-USPS, www.usps.org.

PERFORMANCE CRUISER/SUPER SPORT

Most boaters can enhance their enjoyment of boating experiences through increased knowledge of safe operation, navigation and regulation of pleasure boats. The following is a list of some other agencies and organizations that offer Water Safety, First Aid and CPR courses or information. To find boating safety courses in your area, call your state's local boating agency or the USCG boating safety courseline at 1-800-336-2628 (1-800-245-2628 in Virginia).

- American Red Cross
- State Boating Offices
- Canadian Power and Sail Squadrons
- Boat Owners Association of the United States
- National Safe Boating Council
- Yacht Clubs

FEDERAL, STATE AND LOCAL REGULATIONS

The USCG is the authority of the waterways; they are there to help the boating public. State boating regulations are enforced by local authorities. You are subject to marine traffic laws and "Rules of the Road" for both federal and state waterways; you must stop if signaled to do so by enforcement officers, and permit to be boarded as asked.

REPORTING ACCIDENTS

The USCG requires the owner or operator of a boat involved in an accident, to report the incident to the proper marine law enforcement agency for the state in which the accident occurred. Immediate notification to the nearest State boating authority is required if a person dies or disappears as a result of a recreational boating accident. If a person dies or sustains injuries requiring more than first aid, a formal report must be filed within 48 hours of the accident. A formal report must be filed within 10 days for accidents exceeding \$500 in property damage or complete loss of boat.

RENDERING ASSISTANCE

If you see a distress signal or suspect a boat is in trouble, you must assume it is a real emergency and render assistance immediately. By law, the operator in charge of the craft is obligated to provide assistance to any individual in danger if such assistance can be provided safely. Failure to render assistance can result in a fine and/or imprisonment.

The 1971 Boating Safety Act grants protection to a "Good Samaritan" boater providing good faith assistance, and absolves a boater from any civil liability arising from such assistance.

SERIAL NUMBER LOCATIONS

Your Formula boat, its engines and propulsion units, and other equipment onboard will have a serial number for identification. It is a good practice to prepare a list of all serial number items and store it in a safe place other than onboard the boat. An Important Information Form is located at the end of this manual. Please refer to the equipment operator's manuals supplied in your Owner Information Binder for location of serial numbers.

REPAIRS AND MODIFICATIONS

Your Formula boat has been designed for safety in the harsh marine environment and thoroughly tested and certified for compliance with applicable safety standards. Because of the possibility of interference with the structural design of the boat, owner installation of additional equipment or modifications of factory equipment is not recommended and may void manufacturer's warranties.

In addition, do not attempt to make repairs unless you are certified to do so. Be sure to have the necessary authorized repair information, and use approved marine replacement parts.

Your Formula dealer is qualified to ensure repairs, additions or modifications to your boat will not compromise safety, design integrity or warranty coverage.

ENVIRONMENTAL CONSIDERATIONS

As a boater, you already appreciate nature's beauty and the peace of the great outdoors. It is a boater's responsibility to protect the natural environment by keeping waterways clean.

MARPOL Treaty

The USCG enforces the International Convention for the Prevention of Pollution from ships, commonly referred to as the MARPOL Treaty (MARine POLLution). This treaty prohibits the overboard dumping of all ship-generated plastics, chemicals, garbage and oil.

Fuel/Oil Spillage

WARNING

Fumes from rags can collect in bilge and be extremely hazardous. Do not store rags used to wipe-up fuel or solvent spills in the boat. Dispose of rags properly ashore.

The spilling of fuel or oil into our waterways contaminates the environment and is dangerous to wildlife. Do not discharge or dispose of fuel, oil or other chemicals into the water; it is prohibited and you can be fined. These are two common, accidental types of discharge:

- Overfilling the fuel tanks
- Pumping contaminated bilge water

Discharge/Disposal of Waste

Waste means all forms of garbage, plastics, recyclables, food, wood, detergents, sewage, and even fish parts in certain waters – in short, nearly everything. We recommend you bring back everything you take out with you for proper disposal ashore.

Use an approved pump-out facility at your marina. Many areas prohibit the discharge of sewage overboard or even an operable overboard waste discharge.

Marine Sanitation

NOTICE

Direct disposal of sanitation waste into some waters is prohibited and could result in being fined. Be sure to check local regulations.

CAUTION

To avoid damaging the waste disposal system and the environment, do not place facial tissues, paper towels or sanitary napkins in the head.

Have your Formula dealer properly service the waste disposal system when needed.

Excessive Noise

Noise means engine noise, radio noise or even voices. Many bodies of water have adopted noise limits. Do not use thru-transom exhaust unless you're well off shore. Music and loud conversation can carry a considerable distance on water, especially at night. Be sure to follow regulations and be courteous.

Wake/Wash

WARNING

You are responsible for injury and damage caused by your wake/wash.

Be alert for NO WAKE zones. Prior to entering a no wake zone, come off plane to the slowest steerable speed. Use caution when operating around smaller crafts, in channels and marinas, and in congested areas.

Exhaust Emissions

Increased exhaust (hydrocarbon) emissions pollute our water and air. Keep your engine tuned and boat hull clean for peak performance. Consult your Formula dealer and propulsion unit operator's manual for information.

WARNING

The engine exhaust from this product contains chemicals known to the State of California to cause cancer, birth defects or other reproductive harm.

Paints

If your boat is kept in water where marine growth is a problem, the use of anti-fouling paint may reduce the growth rate. Be aware of environmental regulations that may govern your paint choice. Contact your local boating authorities for information.

PERFORMANCE CRUISER/SUPER SPORT

Cleaning Agents

Household cleaners should be used sparingly and not discharged into waterways. Do not mix cleaners and be sure to use plenty of ventilation in enclosed areas. DO NOT use products which contain phosphates, chlorine, solvents, non-biodegradable or petroleum based products. Citrus-based cleaners are excellent for marine cleaning purposes and are safe for you and the environment.

Fishery Resources

There is a tremendous drain on our fishery resources. Over-fishing and pollution have strained the fish population. Do your part by keeping only what you will eat and practice catch-and-release.

Foreign Species

If you trailer your boat from lake to lake, you may unknowingly introduce a foreign aquatic species from one lake to the next. Thoroughly clean the boat below the water line, remove all weeds and algae, and drain the bilge before launching the boat in a new body of water.



Section 2 Boating Safety

Your safety, the safety of your passengers, and other boaters are among your responsibilities as operator of this boat. Your boat must be in compliance with USCG safety equipment regulations. You should know how to react correctly to adverse weather conditions, have good navigation skills, and follow the “rules of the road” as defined by the USCG and state/county/local regulations.

WARNING

- **Read and understand this manual, the propulsion unit manual, and the generator manual. Be sure that you understand all controls and operating instructions before attempting to operate the boat. Improper operation can be extremely hazardous.**
- **Be in control of your boat. Do not operate your boat under the influence of alcohol or other drugs.**

Before each outing you should check all safety equipment, such as fire extinguishers, personal flotation devices (PFDs), flares, distress flags, flashlights, and the engine stop switch. They should be operable, in good condition, readily visible, and easily accessed.

Check local weather reports before casting off; do not leave the dock area when strong winds and electrical storms are in the area or predicted to be in the area.

Tell someone your travel plans and leave a float plan. A float plan makes the job of search and rescue much easier for authorities. A float plan template can be found in the back of this manual.

SIGNAL WORDS/ DEFINITIONS

The popularity of boating and other water sports has undergone an explosion in growth the past few years. Because of this, safety is an important issue for everyone who shares in the use of our waterways.

Throughout this manual specific precautions and symbols identify safety related information.

The Safety Alert Symbol means ATTENTION!
BECOME ALERT! YOUR SAFETY IS INVOLVED!



DANGER

Indicates the presence of a hazard which **WILL** cause **SEVERE** injury, death or substantial property damage.

WARNING

Indicates the presence of a hazard which **CAN** cause **SEVERE** injury, death or substantial property damage.

CAUTION

Indicates the presence of a hazard which **WILL** or **CAN** cause **MINOR** or **MODERATE** personal injury or property damage.

PERFORMANCE CRUISER/SUPER SPORT

NOTICE

Indicates installation, operation or maintenance information which is important but not hazard-related.

The precautions listed in this manual and on your Formula boat are not all-inclusive. If a procedure, method, tool, or part is not specifically recommended, you must satisfy yourself that it is safe for you and others, and that the boat will not be damaged or made unsafe as a result of your decision. **REMEMBER-- USE COMMON SENSE WHEN OPERATING YOUR BOAT!**

REQUIRED SAFETY EQUIPMENT

The Federal Boat Safety Act of 1971 (FBSA/71) established minimum safety standards for boats and associated equipment, specified by the USCG. In addition, the ABYC and the NMMA work with boat builders to develop voluntary standards that exceed base requirements.

The included safety equipment on your Formula meets or exceeds the standards of the USCG, ABYC and the NMMA. Some required safety equipment such as PFDs are not included with your Formula boat. Your Formula dealer can help you choose the appropriate equipment.

NOTICE

Many states' equipment requirements go beyond USCG requirements. Contact your state boating office for further information.

Equipment requirements for coastal and inland waters differ. Check with local authorities or the USCG for further information about coastal water requirements.

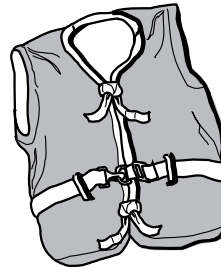
The following equipment may or may not be required by federal/local regulations.

Life Saving Equipment

Federal law requires at least one Type I, II, III, or V Personal Flotation Device (PFD), of the proper size, for each person on board or being towed, and at least one Type IV throwable PFD in the boat.

There are four types of PFDs to wear and one type used for throwing in emergency situations.

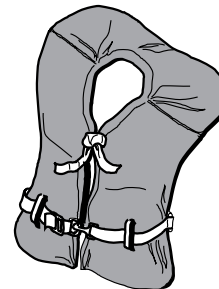
Type I Life Preserver: Most buoyant PFDs are effective on all waters, especially open, rough water.



KC-0041

**Type I
Life Preservers
Figure 2-1**

Type II Buoyant Vest: Good for calm water near shore on most inland waters where quick rescue is likely.



KC-0051

**Type II
Buoyant Vests
Figure 2-2**

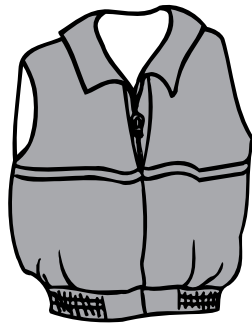
Type III Flotation Aid: Good for most inland water applications where quick rescue is likely. Comes in various styles and some are designed for water sport activities.



KC-0042

**Type III
Flotation Aids
Figure 2-3**

Type V Hybrid PFD: Inflatable design for special use activities. May be used instead of a Type I, II, or III PFD if used in accordance with the approval conditions on the label and if worn when the boat is underway. Some Type V PFDs provide increased protection against hypothermia.



KC-0043

**Type V
Hybrid PFD
Must Be Worn
When Underway
Figure 2-4**

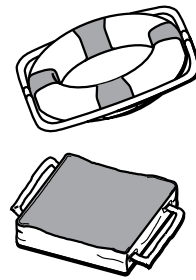
- **A Type V PFD must be worn to be counted toward the minimum carriage requirements.**
- **Special PFDs are available for skiing and other water sports. These PFDs are constructed with materials suitable for high impact falls.**

PFDs are intended to help save lives. The operator should set an example by wearing one. Wear a PFD whenever boating. It is especially important that children and non-swimmers wear a PFD at all times. Make certain all passengers know how to put on and properly adjust their PFDs. Also, selecting the proper type PFD for your kind of outing helps ensure your time on the water can be the safest possible.

At the beginning of each season, check PFDs for damage and test for proper flotation. Refer to the PFD manufacturer's information.

All boats over 16 feet (4.8 meters) in length must carry one USCG approved Type IV throwable lifesaving device, such as a ring buoy or buoyant cushion. To meet requirements, each lifesaving device must have a current, legible USCG approval stamp permanently affixed.

Type IV Throwable Device: Intended for heavy traffic inland waters where help is available. Designed to be thrown to a person in the water and should never be worn.



KC-0071

**Type IV
Throwable Devices
Figure 2-5**

Your Formula dealer can help you select appropriate PFDs and throwable lifesaving devices for your area.

Navigation Lights

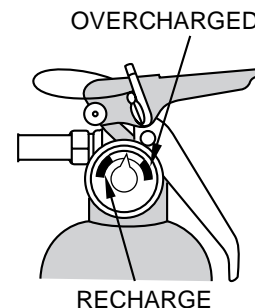
All power boats underway between sunset and sunrise must display proper navigation lights. All boats at anchor must display a proper anchor light. The anchor light must be visible 360 degrees. Your Formula boat is equipped with international navigation lights.

Horn or Whistle

All boats over 4.8 meters (16 feet) in length must be equipped with an operable horn or whistle, audible from one mile. Your Formula boat is equipped with a USCG approved horn.

Fire Extinguisher

All boats must carry an appropriate portable marine type B (gasoline, oil or grease) fire extinguisher in operable condition and in an accessible location. Your Formula boat is equipped with two portable and a fixed system fire extinguisher. All passengers should know the location and operating procedure of each extinguisher.

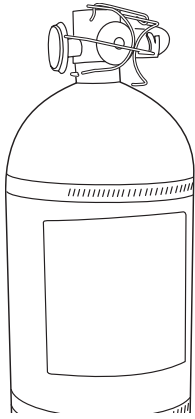


KC-0083

**Portable Fire Extinguisher
Figure 2-6**

PERFORMANCE CRUISER/SUPER SPORT

Check the pressure gauge regularly for proper pressure; have the extinguisher filled if necessary.



FOR021

Fixed Automatic Fire Extinguisher
Figure 2-7

A fixed automatic fire extinguisher is mounted on the engine compartment forward bulkhead. The extinguisher is activated when the heat sensitive head reaches a predetermined temperature. The extinguisher discharges and saturates the engine compartment, smothering the fire. For additional information, refer to **Halon Automatic Fire Extinguisher, Section 5.**

Visual Distress Signals

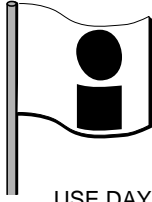

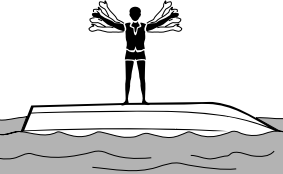

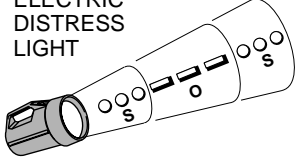


All boats over 16 feet (4.8 meters) must have onboard day and night visual distress signals when operating on coastal waters, the Great Lakes, territorial seas or those waters directly connected to them, up to a point where the body of water is less than two miles wide. Carry several types of signaling devices to handle a variety of conditions. Your Formula dealer can help you select appropriate visual distress signals for your area.

If you are required to carry distress signals, you must have three USCG approved pyrotechnic devices. Be sure they are in serviceable condition, not exceeding the expiration date and stored in a cool, dry location in a waterproof container. Have enough signals on board to last three days.

⚠ WARNING

Pyrotechnic signaling devices can cause injury and property damage if improperly handled. Follow the manufacturer's directions.

VISUAL DISTRESS SIGNALS

 <p>ORANGE FLAG</p> <p>USE DAY ONLY</p>	<p>RED DISTRESS FLARE (HAND)</p>  <p>USE DAY AND NIGHT</p>
 <p>ARMS SIGNALS (USE BRIGHT CLOTH)</p> <p>USE DAY ONLY</p>	<p>USE DAY ONLY</p>  <p>ORANGE SMOKE SIGNAL (HAND)</p>
<p>ELECTRIC DISTRESS LIGHT</p>  <p>USE NIGHT ONLY</p>	<p>RED METEOR FLARE</p> <p>USE DAY AND NIGHT</p> 
<p>DYE MARKER</p> <p>USE DAY ONLY</p> 	

KC-0082

Visual Distress Signals
Figure 2-8

RECOMMENDED EQUIPMENT

In spite of all efforts to the contrary, problems or mishaps sometime occur while boating. Stock these items listed below on your boat to help make unexpected events more manageable.

- Sea anchor and anchor line
- Life raft
- Tow line
- Mooring lines and fenders
- Compass
- First aid kit and manual
- Day/night distress signals
- Radar reflector
- Flashlight and spare batteries
- Cellular phone
- Binoculars
- Portable AM/FM radio with weather band
- Emergency Position Indicating Radio Beacon (EPIRB)
- Engine, drive unit and trim tab lubricant
- Tool kit
- Spare propeller and mounting hardware
- Spare fuses and bulbs
- Boat hook
- Spare keys
- Sun glasses and sun block lotion
- Bottled water

Sea Anchors

You should have a separate sea anchor onboard to slow drifting. In heavy seas, a sea anchor is set from the bow to control the boat's behavior. The sea anchor holds the bow to the sea and a slow drift. Please consult your Formula dealer for sea anchor recommendations.

Life Raft

If operating offshore, you should consider carrying an inflatable life raft. A USCG approved life raft meets a number of stringent specifications. The life raft must be large enough to hold all the boat's occupants and have its own equipment pack including a paddle.

EMERGENCY CONSIDERATIONS

Be prepared to deal with emergencies before they happen. Try to formulate a plan for each type in advance so that decisions can be made quickly and without hesitation. Precious moments lost can mean the difference between losing and saving a life.

Fire/Explosion

You must be prepared and act quickly when dealing with a fire. It is not recommended to battle a fire for an extended period of time. Turn engines off and abandon the boat if the fire cannot be extinguished quickly. Swim at least 25 yards (23 meters) upwind from the boat and use the visual distress signals to get assistance.

WARNING

Gasoline will float on top of water and can burn. If the boat is abandoned, swim up wind, far enough to avoid fuel that may spread over the surface of the water.

Onboard fires involving the fuel system usually result in either an explosion that completely destroys the boat, or the boat burning to the waterline and self-extinguishing. Deciding on abandoning the boat or staying to fight the fire is difficult and depends on many factors. Try to formulate a fire plan in advance to make that decision quickly and without hesitation.

Be sure to:

- Use caution and do not smoke when refueling.
- Verify that fuel does not leak.
- Use only marine approved equipment on your boat.

PERFORMANCE CRUISER/SUPER SPORT

Flooding/Swamping

Improper loading, handling, water conditions, weather and anchoring are the most common causes of flooding. Insist on a safe, stable load. Do not operate the boat exceeding your ability to maneuver it. Use extreme caution in hazardous weather and rough water conditions. Anchor from the bow when using one anchor.

Collisions/Leaks

If a collision occurs, immediately account for all passengers. Assess the hull for damage and activate the bilge pumps to reduce any water intake. Try to operate the boat to keep the damaged area above water. If necessary, call or signal for assistance.

If a leak is discovered, immediately determine the cause. A collision with an underwater object could cause the hull to develop a leak. A loose fitting or hose clamp on a piece of equipment could cause a leak. Try to repair the leak if possible. If a leak is threatening the safety of you and your passengers, call or signal for assistance.

Grounding

In the event you run aground, assess the situation before proceeding. Immediately stop any water from entering the boat. Inspect the propulsion units, steering and control systems, and the hull for damage. Maneuver the boat to safe water only if the hull and all operating systems are in satisfactory operating condition. Otherwise, call or signal for assistance.

Water Rescue (Man Overboard)

Immediately react to a person who has fallen overboard. Keep the victim constantly in your sight. Safely return to the victim as soon as possible. Throw the person a life preserver. Turn off the engines and help the person into the boat.

Medical Emergency

Be prepared in the event of an emergency. Know how to use your first aid kit. Be aware of any special medical conditions of your passengers.

Drowning

React to a drowning victim the same as described in Water Rescue. Handle the victim with care. They could be injured. If necessary, resuscitate the victim. Immediately signal for help and keep the victim warm.

Operation Failure

If you experience a propulsion, steering or control failure, immediately turn off the engines. Set the anchor if possible or release a sea anchor to prevent drifting. Try to determine the failure and repair, if possible. Otherwise, call or signal for assistance.

HAZARDOUS CONDITIONS

Every waterway poses hazards that you should avoid, such as shallow water, tree stumps and sand bars. Ask local boaters for information and consult a marine chart when boating on unfamiliar waters. As the operator of the boat, you should try to avoid all hazards, known and unknown. The following information does not contain all possible water hazards.

Operating in shallow water presents a number of hazards. Mud, sand, weeds and debris can foul a propulsion unit propeller or its cooling water. If a propulsion unit strikes an underwater object, check the propulsion unit and boat for damage. If a vibration is noticed after striking an object, it may indicate a damaged propeller.

Sand bars in narrow inlets are constantly shifting, making it difficult to mark them with buoys. Tides in coastal areas affect water levels producing sand bars. Sometimes sand bars are indicated by waves as they form into breakers when passing over the sand bar. Refer to **Grounding**, in this section, if you run aground on a sand bar.

The water level around a dam spillway is a hazardous area. It is subject to rapid changes caused by currents and turbulence. Keep clear of the spillway areas below dams.

Visibility

WARNING

Clear visibility must be maintained at all times. If necessary, arrange passengers and equipment for maximum visibility. Designate a passenger to assist when visibility is limited due to operating conditions.

Visibility is not only sight, but also hearing. It is very important the operator maintains good visibility at all times. Arrange passengers and equipment to ensure you have unobstructed vision at all times. Check for other boats or any obstacles before turning the boat.

BOATING SAFETY

Drugs/Alcohol

⚠ WARNING

Federal and state law prohibit operating a boat under the influence of alcohol and other drugs. These regulations are actively enforced. Impaired operation may result in severe personal injury or death.

Mixing boating with the use of alcohol and other drugs results in many accidents and deaths each year. These substances reduce your reaction time and affect your better judgement. Combined with the sun, wind, waves, and noise of other watercraft, the effects of drugs are increased and will significantly reduce your reaction time. As the owner/operator, you are responsible for the alcohol/drug use and onboard behavior of your passengers.



No Alcohol or Other Drugs KC-0153
Figure 2-9

NOTICE

If the operator's blood alcohol content is 0.10% (0.08% in some states) or above, violators are subject to a civil penalty up to \$1,000.00 or criminal penalty up to \$5,000.00, one year imprisonment or both. Operating a boat under the influence can also result in a loss of automobile driving privileges.

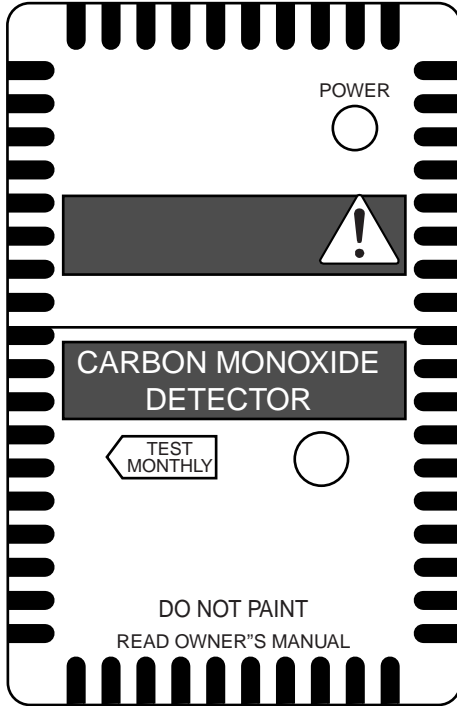
Carbon Monoxide



KC-5032
Carbon Monoxide Safety Symbol
Figure 2-10

⚠ WARNING

Test the carbon monoxide detectors operation before each trip, at least once a week and after the boat has been in storage. Do not tamper with the operation of the carbon monoxide detectors. They are installed for your safety.



Carbon Monoxide Detector FOR069
Figure 2-11

Your Formula boat is equipped with at least one carbon monoxide (CO) detector located in the cabin.

CAUTION

A carbon monoxide (CO) detector will only detect the presence of carbon monoxide gas at its sensor. Carbon monoxide may be present in other areas.

NOTICE

A carbon monoxide detector will not detect other vapors such as gasoline.

PERFORMANCE CRUISER/SUPER SPORT


Carbon Monoxide (CO) is a colorless and odorless gas produced by all engines and fuel burning appliances such as heaters, stoves and generators. Even with the best boat design and construction, plus the utmost care in inspection, operation, and maintenance, hazardous levels of CO may still be present in accommodation spaces under certain conditions. Dizziness, ears ringing, headaches, nausea, unconsciousness and cherry red skin color are symptoms of carbon monoxide poison.

To reduce CO accumulation:


- Ventilate the boat interior by opening the deck hatches, windows and cabin door to provide adequate ventilation.

- Do not operate the engines or generator with the canvas installed.
- Only operate fuel burning appliances in well-ventilated areas.
- Avoid idling or using the generator while at idle for extended periods.
- Regularly inspect the engine and generator exhaust system for proper operation.
- Do not use any fuel burning appliances with a transom exhaust port when swimming from the stern swim platform.

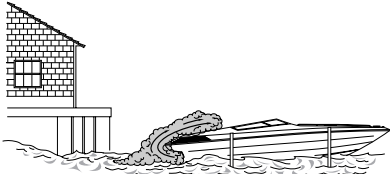

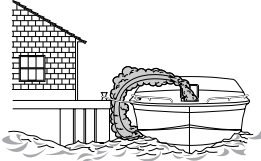
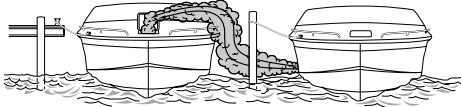


Have a suspected CO victim deeply breathe fresh air and immediately seek medical attention.



DANGER



EXTREME HAZARD — Carbon monoxide gas (CO) is colorless, odorless and extremely dangerous. All engines and fuel burning appliances produce CO as exhaust. Direct and prolonged exposure to CO will cause BRAIN DAMAGE or DEATH. Signs of exposure to CO include nausea, dizziness and drowsiness. Sources of CO include:

<p>❶ Blockage of boat exhausts by obstruction.</p> 	<p>❷ Operating with high bow angle.</p> 
<p>❸ Exhaust traveling along obstruction.</p> 	<p>❹ Exhausts from other vessels in confined areas.</p> 
<p>❺ Operating at slow speed or while dead in the water.</p> 	<p>❻ Operating with canvas tops and side curtains in place without ventilation.</p> 

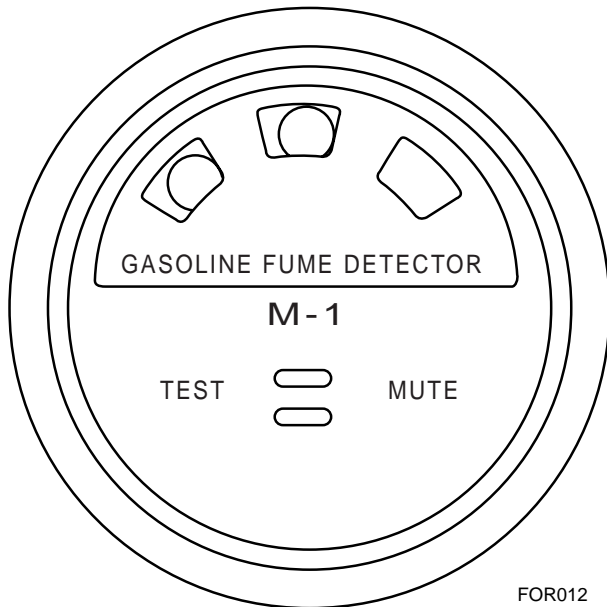
ENSURE ADEQUATE VENTILATION FOR CORRECT AIR MOVEMENT THROUGH BOAT!

FOR050

Carbon Monoxide
Figure 2-12

Fume Alarm

Your Formula boat is equipped with a fume detector that provides an audible and visual alarm whenever explosive gases are detected in the bilge area.



Fume Detector
Figure 2-13

In the event the detector goes into the alarm mode, immediately operate the engine compartment blowers and inspect for the source of fumes.

For testing procedure and additional information, refer to the fume detector instructions in your Owner Information Binder.

OPERATING BY MINORS

Minors must be supervised by an adult whenever operating a boat. Many states have laws regarding the minimum age and licensing requirements of minors. Be sure to contact the state boating authorities for information.

COMMUNICATION

Radio communication is the most important avenue of receiving weather reports and Coast Guard warnings, and for transmitting information such as a request for assistance. Use a VHF/FM radio for short-range communication, and a single-sideband radio (SSB) for long-range.

For all U. S. waters, the National Weather Service operates the NOAA Weather Radio (NWR). This service provides continuous weather information on the following VHF/FM frequencies:

- 162.400 MHz
- 162.425 MHz
- 162.450 MHz
- 162.475 MHz
- 162.500 MHz
- 162.525 MHz
- 162.550 MHz

It is good practice to periodically monitor the weather. For additional information, refer to your radio operator's manual in your Owner Information Binder.

A distress call is transmitted on VHF/FM radio channel 16 (156.800 MHz) or 2182 kHz (SSB). Know your audible signals:

- For emergency, the call sign is "Mayday."
- An urgent situation, the call sign is "Pan-Pan."
- For navigational safety and weather warnings, the call sign is "Security."

Repeat the call sign three times.

Immediately react to a distress call. Assist, if possible, using an emergency frequency. Otherwise continue to monitor the situation until help has arrived.

Cellular Telephone

A cellular phone can be extremely convenient. Cellular telephone service continues to improve by expanding service areas and advancing technology.

Seek the latest available information regarding network providers in your boating area before purchasing cellular telephone service.

PERFORMANCE CRUISER/SUPER SPORT

Emergency Position Indicating Radio Beacon (EPIRB)

Every boat that goes offshore beyond the 20 mile VHF radio range should carry a satellite EPIRB.

The latest satellite EPIRBs are known as 406 EPIRB. The operating frequency is 406.0 MHz. This is a dedicated frequency free from interference from other communications. When activated, the satellite 406 EPIRB transmits a unique registration number for identification. The system detects a signal, checks the registration number against a database (boat and owner information), calculates an accurate distress position and quickly alerts rescue personnel.

Warning Label Location

Your boat has various safety labels at the time of manufacture. These labels appear at specific locations on the craft where safety is of particular concern.

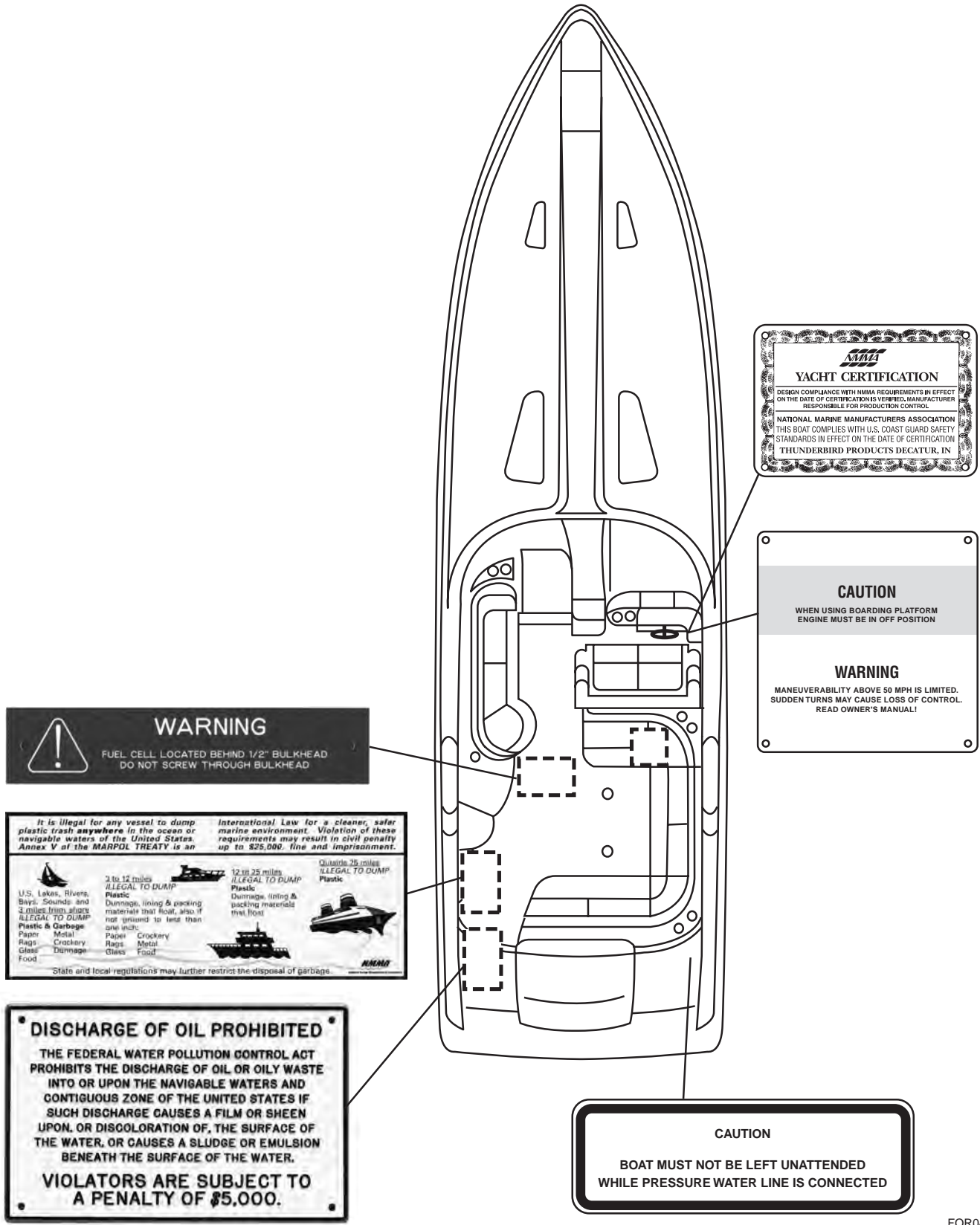
NOTICE

Included in your Owner Information Binder is a label regarding the discharge of overboard trash. Thunderbird Products does not affix this label to the boat. It is the owner's/operator's responsibility to read, understand and comply with the label's requirements.

Safety labels must remain legible. If you suspect a label is missing or becomes damaged, please contact your Formula dealer for immediate replacement.

BOATING SAFETY

Warning Label Location



WARNING
 FUEL CELL LOCATED BEHIND 1/2" BULKHEAD
 DO NOT SCREW THROUGH BULKHEAD

NMMA
YACHT CERTIFICATION
 DESIGN COMPLIANCE WITH NMMA REQUIREMENTS IN EFFECT ON THE DATE OF CERTIFICATION IS VERIFIED. MANUFACTURER RESPONSIBLE FOR PRODUCTION CONTROL.
 NATIONAL MARINE MANUFACTURERS ASSOCIATION
 THIS BOAT COMPLIES WITH U.S. COAST GUARD SAFETY STANDARDS IN EFFECT ON THE DATE OF CERTIFICATION
 THUNDERBIRD PRODUCTS DECATUR, IN

CAUTION
 WHEN USING BOARDING PLATFORM
 ENGINE MUST BE IN OFF POSITION

WARNING
 MANEUVERABILITY ABOVE 50 MPH IS LIMITED.
 SUDDEN TURNS MAY CAUSE LOSS OF CONTROL.
 READ OWNER'S MANUAL!

It is illegal for any vessel to dump plastic trash anywhere in the ocean or navigable waters of the United States. Annex V of the MARPOL TREATY is an International Law for a cleaner, safer marine environment. Violation of these requirements may result in civil penalty up to \$25,000, fine and imprisonment.

<p>3 to 12 miles ILLEGAL TO DUMP Plastic Dunnage, lining & packing materials that float, also if not ground to less than one inch.</p> <p>U.S. Lakes, Rivers, Bays, Sounds and 3 miles from shore ILLEGAL TO DUMP Plastic & Garbage Paper Metal Rags Crockery Glass Metal Food Food</p>	<p>12 to 25 miles ILLEGAL TO DUMP Plastic Dunnage, lining & packing materials that float</p>	<p>Outside 25 miles ILLEGAL TO DUMP Plastic</p>
--	---	---

State and local regulations may further restrict the disposal of garbage.

DISCHARGE OF OIL PROHIBITED
 THE FEDERAL WATER POLLUTION CONTROL ACT PROHIBITS THE DISCHARGE OF OIL OR OILY WASTE INTO OR UPON THE NAVIGABLE WATERS AND CONTIGUOUS ZONE OF THE UNITED STATES IF SUCH DISCHARGE CAUSES A FILM OR SHEEN UPON, OR DISCOLORATION OF, THE SURFACE OF THE WATER, OR CAUSES A SLUDGE OR EMULSION BENEATH THE SURFACE OF THE WATER.
VIOLATORS ARE SUBJECT TO A PENALTY OF \$5,000.

CAUTION
 BOAT MUST NOT BE LEFT UNATTENDED
 WHILE PRESSURE WATER LINE IS CONNECTED

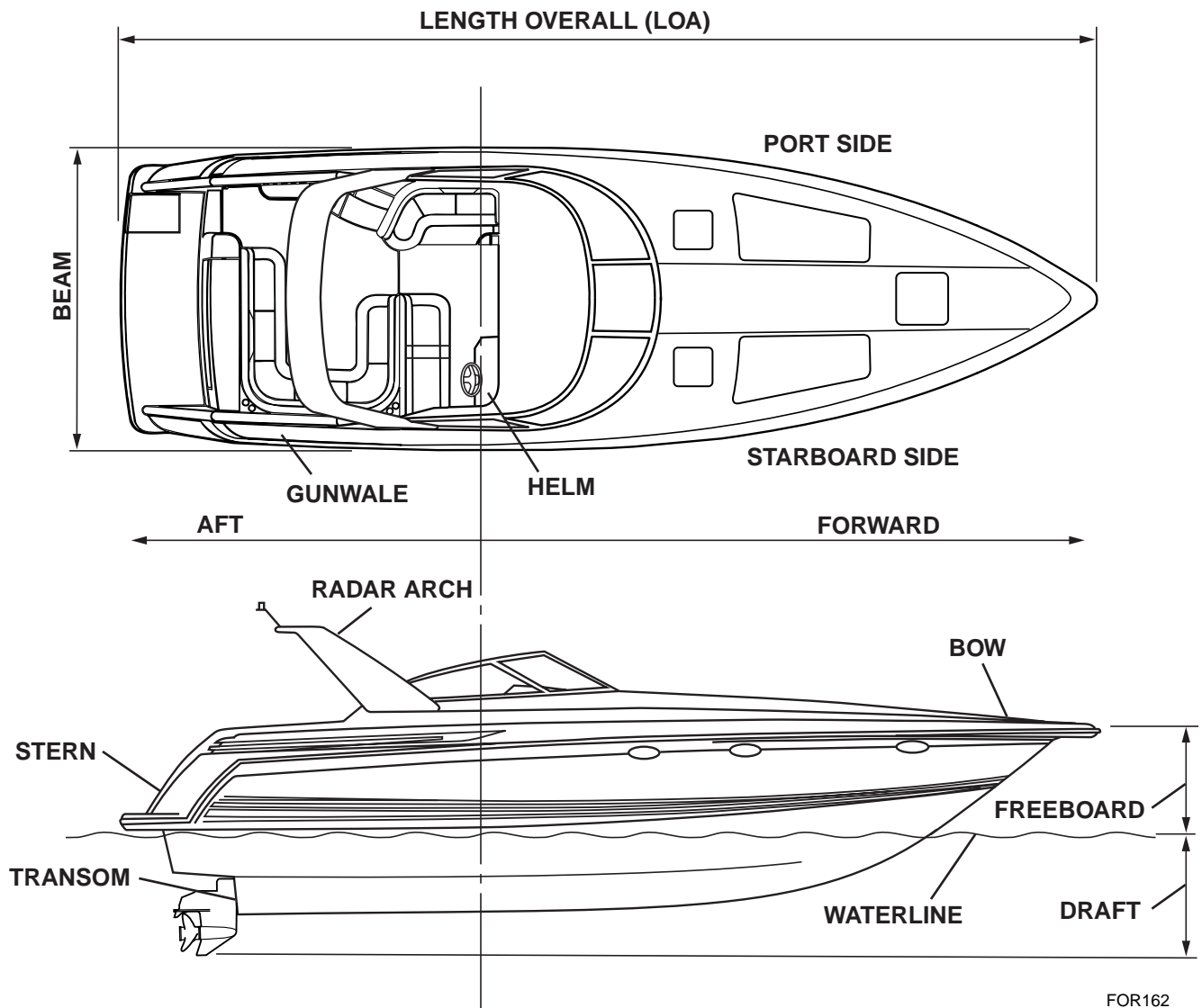
Warning Label Location
 Figure 2-14

PERFORMANCE CRUISER/SUPER SPORT



Section 3 Specifications and Layout

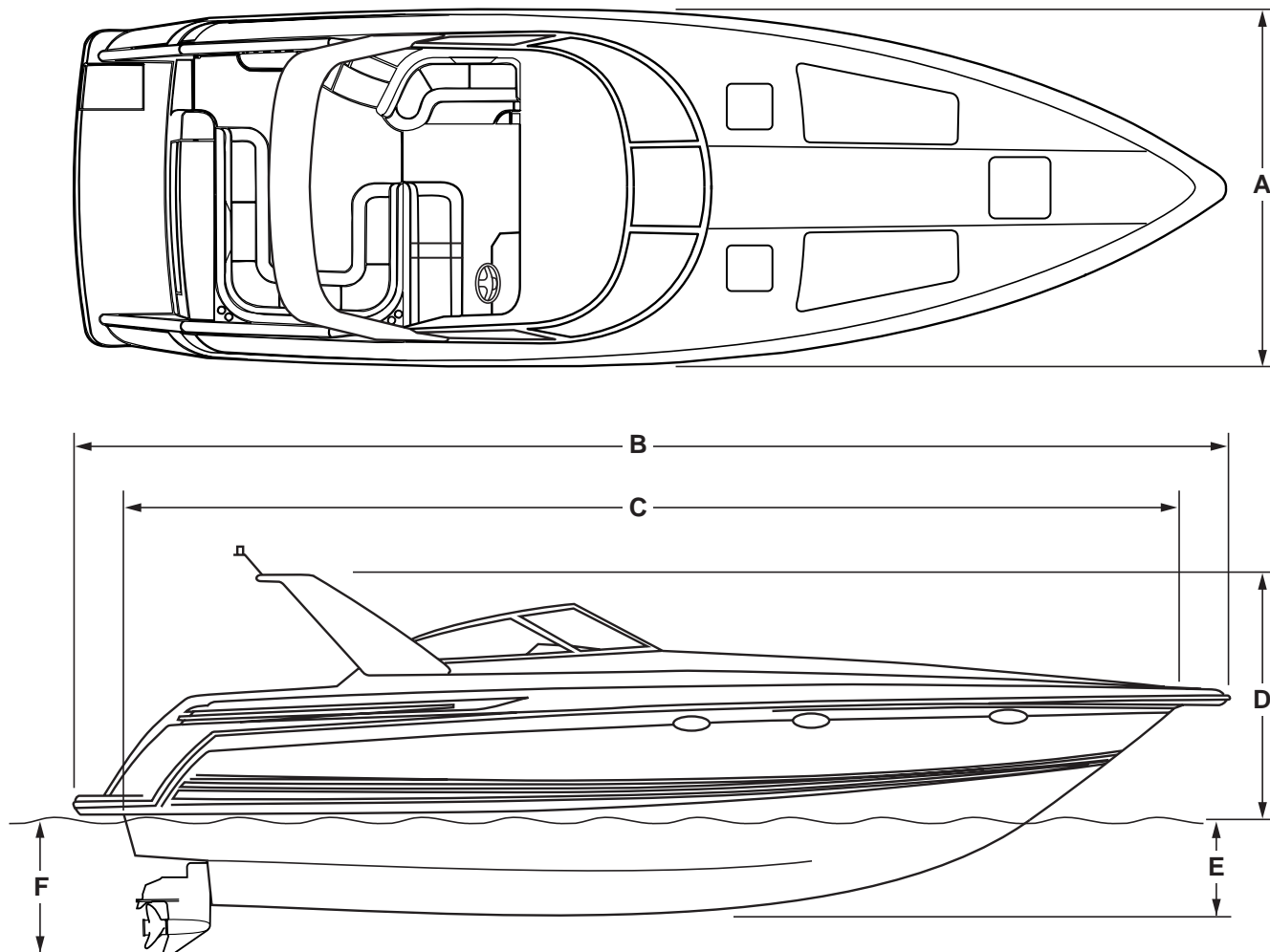
BOATING TERMINOLOGY



* An easy way to remember PORT side from STARBOARD side is “PORT” and “LEFT” both have four letters.

PERFORMANCE CRUISER/SUPER SPORT

DIMENSIONS



FOR116

	27 PC	31 PC	34 PC	37 PC	40 PC	41 PC	370 SS	400 SS
A Maximum Beam	9'7" (2.9 m)	11'0" (3.4 m)	11'5" (3.5 m)	11'11" (3.6 m)	12'8" (3.9 m)	13'6" (4.1 m)	10'6" (3.2 m)	11'0" (3.4 m)
B Length with Bow Platform*	28'2" (8.6 m)	33'1" (10.1 m)	35'7" (10.9 m)	38'5" (11.7 m)	42'7" (13.0 m)	43'0" (13.1 m)	•	•
C Centerline Length	27'0" (8.2 m)	31'8" (9.7 m)	34'3" (10.5 m)	37'0" (11.3 m)	40'10" (12.4 m)	41'0" (12.5 m)	37'0" (11.3 m)	40'0" (12.1 m)
D Bridge Clearance - Dry	9'6" (2.9 m)	10'4" (3.2 m)	11'4" (3.47 m)	12'3" (3.7 m)	11'7" (3.5 m)	11'0" (3.4 m)	10'0" (3.1 m)	10'6" (3.2 m)
E Draft - Drive Unit Up (Trim Limit)	38"	23" (58.4 cm)	25" (63.5 cm)	27"			33"	33"
F Draft - Drive Unit Down I/O / Inboard Dry	41" (104.1 cm)	34" (86.4 cm)	36" (91.4 cm)	30"/31" (76.7 cm)	35" (89 cm)	33" (84 cm)	36" (91.4 cm)	36" (91.4 cm)
G Dead Rise	18°	18°	18°	18°	18°	18°	21°	22°

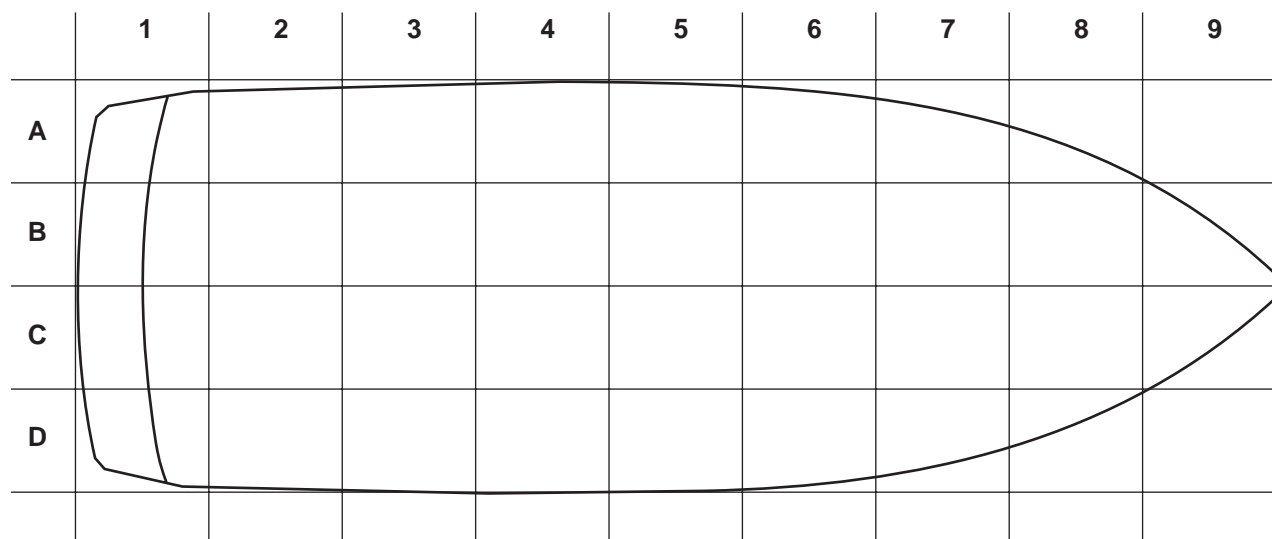
* Swim Platform 27 PC

SPECIFICATIONS AND LAYOUT

27 PERFORMANCE CRUISER

Specifications

Approximate Weight	9,500 lb (4,309 kg)
Capacities:	
Fuel Tank	104 Gal. (394 L)
Fresh Water Tank	26.5 Gal. (101 L)
Hot Water Tank	6 Gal. (23 L)
Holding Tank	30 Gal. (114 L)
Steering System	Cable to Hydraulic Assist Ram
Battery Charger	50 Amp



FOR125

Equipment Location

Item	Location	Remarks
AC/DC Control Panel	D-5	Cabin, behind acrylic cover door
Air Conditioning Control	D-5	Cabin, FWD face of entertainment center
Automatic Fire Extinguisher	B-2	Engine compartment, FWD bulkhead
Battery Charger	A-2	Engine compartment, FWD PORT hull side
Battery ON/OFF Switches	A-3	Cockpit, beneath wet bar
Battery Parallel Switch	A-3	Cockpit, beneath wet bar
Bilge Pump - FWD	D-2	Remote - mounted; engine compartment, STBD hull side
Bilge Pump - Aft	B-2	Engine compartment, center bilge
Carbon Monoxide Detector	B-4	Aft cabin, bulkhead
Central Vacuum	N/A	N/A
Circuit Breaker Panel - Helm	D-4	Beneath helm, outboard
Circuit Breaker Panel - Aft	A-3	Cockpit, beneath wet bar
Circuit Breaker - Shore 1 Power Cord	D-1	Aft cockpit, STBD seat storage area
Circuit Breaker - Shore 2 Power Cord	D-1	Aft cockpit, STBD seat storage area
Circuit Breaker - Windlass	A-3	Cockpit, beneath wet bar
Circuit Breaker - Auxiliary Power	A-3	Cockpit, beneath wet bar

PERFORMANCE CRUISER/SUPER SPORT

Item	Location	Remarks
Drive Unit Trim Pump - PORT	A-1	Engine compartment, PORT hull side, aft
Drive Unit Trim Pump - STBD	D-2	Engine compartment, STBD hull side, aft
Engine Compartment Blowers	A-1, D-1	Engine compartment, PORT/STBD hull side, aft
Engine Compartment Hatch Handle	C-2	Engine hatch, FWD top edge
Engine Compartment Switch	D-4	Helm, inboard of steering wheel
Fire Extinguisher - Cabin	D-5	Cabin, entertainment center storage
Fire Extinguisher - Cockpit	A-2	Cockpit, beneath wet bar
Fresh Water Dockside Hookup	D-1	Swim platform, STBD side
Fresh Water Level Indicator	A-4	Cabin galley - lower cabinet, FWD
Fresh Water Pump	A-2	Engine compartment, FWD PORT side
Fuel Tank Fill - PORT	A-3	Deck, PORT side
Fuel Tank Fill - STBD	N/A	N/A
Helm Hydraulic Steering Fill	N/A	N/A
Hull Identification Number	D-1	Aft STBD corner, beneath rub rail
Seacock - Air Conditioning Intake	B-2	Engine compartment, FWD of PORT motor
Seacock - Generator Intake	C-2	Engine compartment, FWD of STBD motor
Seacock - Macerator Discharge	B-2	Engine compartment, FWD of PORT motor
Seacock - Manual Head Intake	C-2	Engine compartment, FWD of STBD motor
Seacock - Raw Water Engine Intakes	N/A	N/A
Shower Sump Box	B/C-5	Cabin bilge compartment
Strainer - Air Conditioning Intake(s)	B-2	Engine compartment, FWD of PORT motor
Strainer - Generator Intake	C-2	Engine compartment, FWD of STBD motor
Strainer - Raw Water Engine Intakes	N/A	N/A
Telephone Dockside Inlet	D-1	Swim platform, STBD side
Transom Shower	A-1	Deck, PORT side near transom entry door
Trim Tab Pump	D-1	Engine compartment, STBD hull side
TV Antenna/Cable Switch	D-4	Cabin, lower entertainment center cabinet
TV Signal Amplifier	D-4	Cabin, lower entertainment center cabinet
Waste Deck Plate	D-1	Swim platform, STBD side
Gray Water Sump Tank	B-5	Cabin, beneath floor, center bilge
Waste Holding Tank	D-2	Engine compartment FWD

SPECIFICATIONS AND LAYOUT

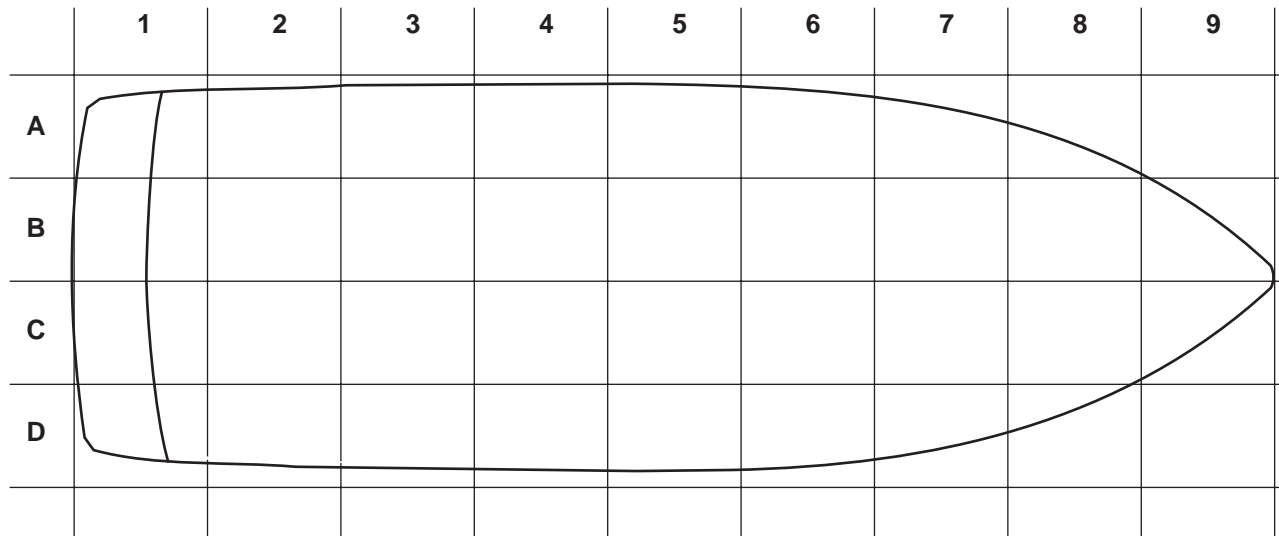
31 PERFORMANCE CRUISER

Specifications

Approximate Weight 14,100 lb (6,396 kg)

Capacities:

Fuel Tank 180 Gal. (681 L)
 Fresh Water Tank 50 Gal. (189 L)
 Holding Tank 40 Gal. (151 L)



FOR126

Equipment Location

Item	Location	Remarks
AC/DC Control Panel	D-5	Above aft portion of dinette backrest
Air Conditioning Control	D-5	Above aft portion of dinette backrest
Automatic Fire Extinguisher	B-3	Forward bilge wall – fore of port motor
Battery Charger	C-3	Forward bilge wall – fore of stbd motor
Battery ON/OFF Switch	A-3	Beneath cockpit wet bar
Battery Parallel Switch	A-3	Beneath cockpit wet bar
Bilge Pump FWD	B/C-4	Center aft cabin storage compartment
Bilge Pump AFT	B/C-3	Beneath forward portion of center stringer
Carbon Monoxide Detector	D-5	Aft of AC/DC PNL
Central Vacuum	D-4	Stbd aft cabin storage compartment
Circuit Breaker PNL – Helm	D-5	Below shifter/throttle assembly
Circuit Breaker PNL – AFT	A-3	Beneath cockpit wet bar
Circuit Breaker – Shore Power 1	D-2	Stbd/aft corner seating storage area
Circuit Breaker – Shore Power 2	D-2	Stbd/aft corner seating storage area
Circuit Breaker – Windlass	A-3	Beneath cockpit wet bar
Circuit Breaker – Auxiliary Power	A-3	Beneath cockpit wet bar
Drive Unit Trim Pump – PORT	B-3	Mounted on outboard side of center stringer
Drive Unit Trim Pump – STBD	C-3	Mounted on outboard side of center stringer
Engine Compartment Blowers	C-1	Aft of port motor

PERFORMANCE CRUISER/SUPER SPORT

Item	Location	Remarks
Engine Compartment Hatch Handle	C-3	Aft seat storage area
Engine Compartment Switch	C-5	Helm
Fire Extinguisher – Cabin	A-6	Beneath galley sink
Fire Extinguisher – Cockpit	A-3	Beneath cockpit wet bar
Fresh Water Dockside Hookup	D-1	Swim platform, stbd side
Fresh Water Level Indicator	A-6	Beneath galley sink
Fresh Water Pump	A-6	Behind galley refrigerator
Fuel Tank Fill – PORT	A-2	Deck
Fuel Tank Fill – STBD	D-2	Deck
Helm Hydraulic Steering Fill	N/A	N/A
Horn Air Compressor	D-5	Behind helm C-BKR panel
Hull Identification Number	D-1	Aft STBD corner, beneath rub rail
Seacock – Air Conditioning Intake	B/C-4	Center aft cabin storage compartment
Seacock – Generator Intake	C-3	Forward of stbd motor
Seacock – Macerator Discharge	B-3	Forward of port motor
Seacock – Manual Head Intake	N/A	N/A
Seacock – Raw Water Engine Intake	B/C-3 ¹	Forward of port/stbd motor
Strainer – Air Conditioning Intake	B/C-4	Center aft cabin storage compartment
Strainer – Generator Intake	C-3	Forward of stbd motor
Strainer– Raw Water Engine Intake	B/C-3 ¹	Forward of port/stbd motor
Shower Sump Box	B/C-4	Center aft cabin storage compartment
Telephone Dockside Inlet	D-1	Swim platform, stbd side
Transom Shower	A-1	Swim platform, port side
Transom Stereo Control	N/A	N/A
Trim Tab Pump	D-2	Stbd bilge wall
TV Antenna/Cable Switch	A-5	Beneath galley sink
TV Signal Amplifier	A-5	Beneath galley sink
Waste Deck Plate	D-1	Swim platform, stbd side
Gray Water Sump Tank	B/C-4 ²	Center aft cabin storage compartment
Fresh Water Fill	C-9	Deck
Waste Holding Tank	A-2	Engine compartment behind fuel tank

¹ Mercury horizon closed water cooled motors only

² Gray water option only

SPECIFICATIONS AND LAYOUT

34 PERFORMANCE CRUISER

Specifications

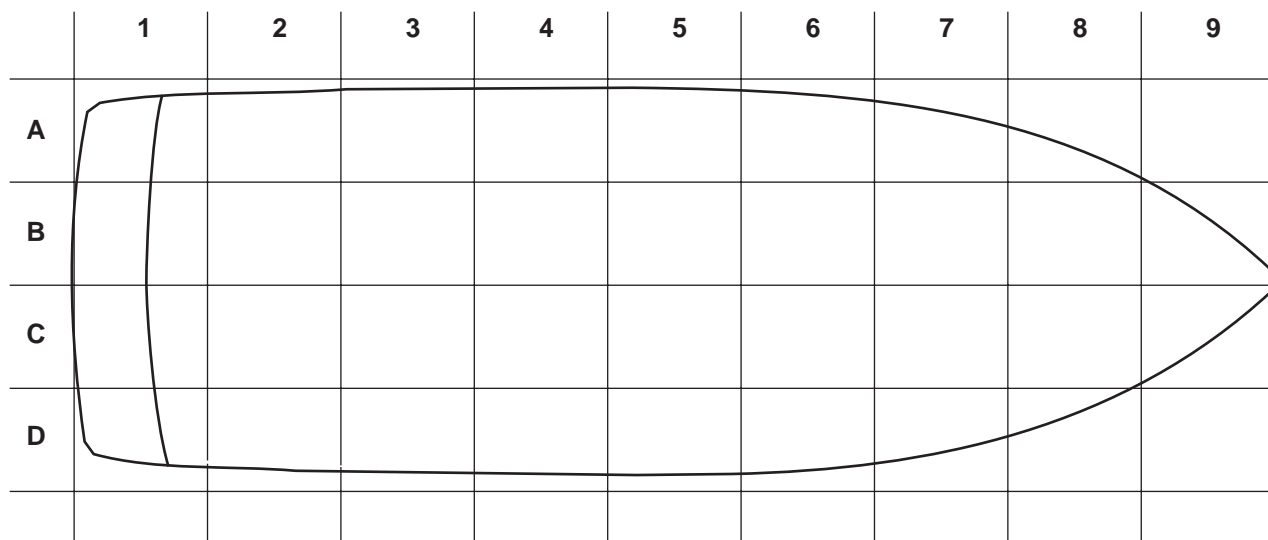
Approximate Weight 15,710 lb (7,126 kg)

Capacities:

Fuel Tank 206 Gal. (780 L)

Fresh Water Tank 55 Gal. (208 L)

Holding Tank 40 Gal. (151 L)



FOR126

Equipment Location

Item	Location	Remarks
AC/DC Control Panel	D-5	Above aft portion of dinette backrest
Air Conditioning Control	D-5	Above aft portion of dinette backrest
Automatic Fire Extinguisher	B-3	Forward bilge wall – fore of port motor
Battery Charger	C-3	Forward bilge wall – fore of stbd motor
Battery ON/OFF Switch – House Battery	A-3	Beneath cockpit wet bar
Battery ON/OFF Switch – Starting Batteries	B/C-3	Forward bilge wall – above generator
Battery Parallel Switch	B/C-3	Forward bilge wall – above generator
Bilge Pump FWD	B/C-4	Center aft cabin storage compartment
Bilge Pump AFT	B/C-3	Beneath forward portion of center stringer
Carbon Monoxide Detector	D-5	Aft of AC/DC PNL
Central Vacuum	D-4	Stbd aft cabin storage compartment
Circuit Breaker PNL – Helm	D-5	Below shifter/throttle assembly
Circuit Breaker PNL – AFT	A-3	Beneath cockpit wet bar
Circuit Breaker – Shore Power 1	D-2	Stbd/aft corner seating storage area
Circuit Breaker – Shore Power 2	D-2	Stbd/aft corner seating storage area
Circuit Breaker – Windlass	B/C-3	Forward bilge wall – above generator
Circuit Breaker – Auxiliary Power	B/C-3	Forward bilge wall – above generator

PERFORMANCE CRUISER/SUPER SPORT

Item	Location	Remarks
Drive Unit Trim Pump – PORT	B-3	Mounted forward of port motor
Drive Unit Trim Pump – STBD	C-3	Mounted forward of stbd motor
Engine Compartment Blowers	D-2	Mounted near water heater
Engine Compartment Hatch Handle	N/A	N/A
Engine Compartment Switch	C-5 & C-2	Helm (I/O) – Trunk (Inboard)
Fire Extinguisher – Cabin	A-6	Beneath galley sink
Fire Extinguisher – Cockpit	A-3	Beneath cockpit wet bar
Fresh Water Dockside Hookup	D-1	Swim platform, stbd side
Fresh Water Level Indicator	A-6	Beneath galley sink
Fresh Water Pump	A-6	Behind galley refrigerator
Fuel Tank Fill – PORT	A-2	Deck
Fuel Tank Fill – STBD	D-2	Deck
Helm Hydraulic Steering Fill	C-4 ¹	Helm
Horn Air Compressor	D-5	Behind helm C-BKR panel
Hull Identification Number	D-1	Aft STBD corner, beneath rub rail
Seacock – Air Conditioning Intake	B/C-4	Center aft cabin storage compartment
Seacock – Generator Intake	C-3	Forward of stbd motor
Seacock – Macerator Discharge	B-3	Forward of port motor
Seacock – Manual Head Intake	N/A	N/A
Seacock – Raw Water Engine Intake	B/C-3 ²	Forward of port/stbd motor
Strainer – Air Conditioning Intake	B/C-4	Center aft cabin storage compartment
Strainer – Generator Intake	C-3	Forward of stbd motor
Strainer – Raw Water Engine Intake	B/C-3 ²	Forward of port/stbd motor
Shower Sump Box	B/C-4/5	Aft cabin bilge
Single Point Water Fill Switch	A-5	Beneath galley sink
Telephone Dockside Inlet	D-1	Swim platform, stbd side
Transom Shower	A-1	Swim platform, port side
Transom Stereo Control	N/A	N/A
Trim Tab Pump	D-2	Stbd bilge wall
TV Antenna/Cable Switch	A-5	Beneath galley sink
TV Signal Amplifier	A-5	Beneath galley sink
Waste Deck Plate	D-1	Swim platform, stbd side
Gray Water Sump Tank	B/C-4/5 ³	Aft cabin bilge
Fresh Water Fill	C-9	N/A
Waste Holding Tank	B/C-2	Under stop/generator engine compartment FWD

¹ On boats with the AUTOPILOT option only

² Mercury horizon closed water cooled motors only

³ Gray water option only

SPECIFICATIONS AND LAYOUT

37 PERFORMANCE CRUISER

Specifications

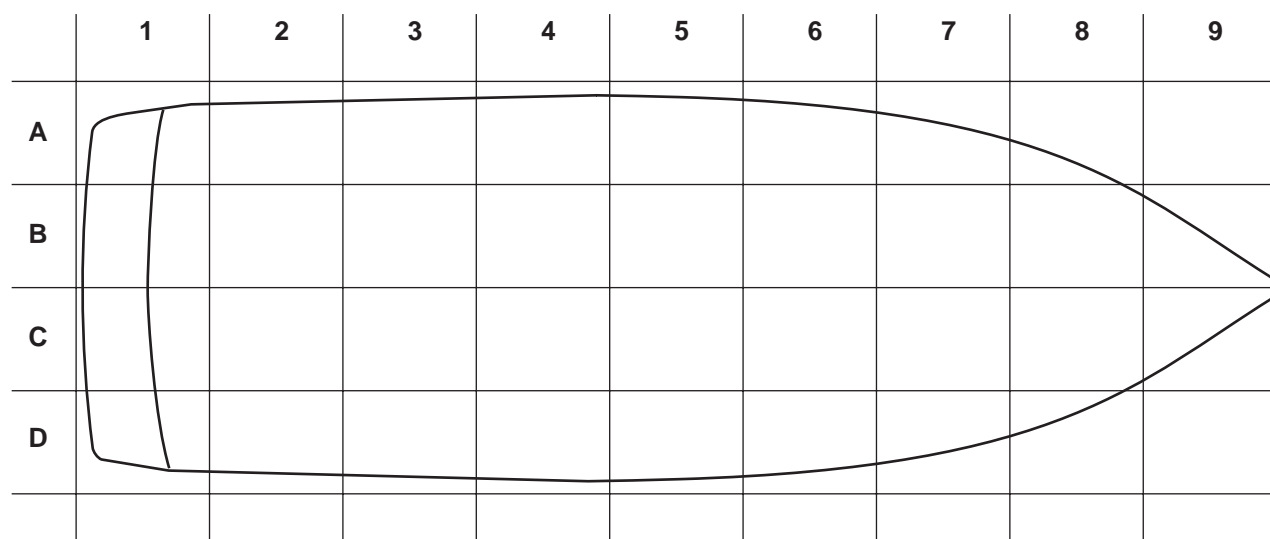
Approximate Weight (gas/diesel) 16,500 lb (7,484 kg)/17,300 lb (7,847 kg)

Capacities:

Port Fuel Tank 116 Gal.
 Starboard Fuel Tank 110 Gal.
 Fresh Water Tank 55 Gal. (208 L)
 Hot Water Tank 11 Gal. (42 L)
 Holding Tank 57 Gal. (216 L)

Steering System Full Hydraulic (Helm Pump) - I/B (Optional on I/O);
 Cable to Hydraulic Assist Ram - I/O

Battery Charger 60 Amp



FOR127

Equipment Location

Item	Location	Remarks
AC/DC Control Panel	D-4	Hanging locker behind dinette seating
Air Conditioning Controller	D-4	Dinette seating, aft
Automatic Fire Extinguisher	B-2	Engine compartment, FWD STBD side
Battery Charger	B-2	Engine compartment, FWD PORT side
Battery ON/OFF Switch - House Battery	A-3	Beneath cockpit wet bar
Battery ON/OFF Switch - Starting Batteries	B/C-3	FWD bilge wall - above generator
Battery Parallel Switch	B/C-3	FWD bilge wall - above generator
Bilge Pump - FWD	B-4	Cabin, aft floor storage
Bilge Pump - Rear	B-1	Engine compartment, FWD
Carbon Monoxide Detector	D-4	Aft cabin cedar locker wall
Central Vacuum	D-4	Cabin seating, aft, STBD
Circuit Breaker Panel - Helm	D-4	Dash, beneath STBD side
Circuit Breaker Panel - Cockpit	A-3	Behind aft cockpit, wet bar door
Circuit Breaker - Shore 1 Power Cord	D-2	Corner seat cushion, beneath aft STBD
Circuit Breaker - Shore 2 Power Cord	D-2	Corner seat cushion, beneath aft STBD
Circuit Breaker - Windlass	B/C-3	FWD bilge wall - above generator

PERFORMANCE CRUISER/SUPER SPORT

Item	Location	Remarks
Circuit breaker - Auxiliary Power	B/C-3	FWD bilge wall - above generator
Drive Unit Pump - PORT (I/O only)	A-1	Engine compartment, beside PORT engine
Drive Unit Pump - STBD (I/O only)	D-1	Engine compartment, beside STBD engine
Engine Compartment Blower	A-2/D-2	Engine compartment, PORT/STBD walls
Engine Compartment Manual Lift Handle	N/A	
Engine Compartment Switch	C-2	Cockpit aft seat corner cushion
Fire Extinguisher - Cabin	A-5	Cabin galley, beneath sink
Fire Extinguisher - Cockpit	B-2	Beneath wet bar sink
Fresh Water Dockside Hookup	D-1	Swim platform, aft, STBD side
Fresh Water Level Indicator	A-5	Cabin galley, beneath sink
Fresh Water Pump	A-5	Behind refrigerator
Fuel Tank Fill - PORT	A-2	Deck, PORT side, aft corner
Fuel Tank Fill - STBD	D-2	Deck, STBD side, aft corner
Helm Hydraulic Reservoir Fill	D-4	Dash, FWD helm, black cap
Hull Identification Number	D-1	Hull, aft STBD corner beneath gunwale
Seacock - Macerator Discharge	D-2	STBD side, FWD of water heater
Seacock - Air Conditioning	B-4	Cabin, aft floor storage
Seacock - Generator	B-2	Forward engine compartment, PORT side
Seacock - PORT Engine/Inboard Only	B-2	Forward engine compartment, PORT side
Seacock - STBD Engine/Inboard Only	C-2	Forward engine compartment, STBD side
Shower Sump Box	B/C-5	Cabin bilge compartment, aft
Single Point Water Fill Switch	A-5	Beneath galley sink
Strainer - Air Conditioning	B-4	Cabin, aft floor storage
Strainer - Generator	B-2	Forward engine compartment, PORT side
Strainer - PORT Engine/Inboard Only	B-2	Forward engine compartment, PORT side
Strainer - STBD Engine/Inboard Only	C-2	Forward engine compartment, STBD side
Telephone Dockside Receptacle	D-1	Swim platform, aft, STBD corner
Transom Shower	A-1	Transom door, PORT side
Trim Tab Pump	D-1	Engine compartment wall, STBD side
TV Antenna/Cable Switch	A-5	Cabin galley, beneath sink
TV Signal Amplifier	A-5	Cabin galley, beneath sink
Waste Deck Plate	D-1	Swim platform, aft, STBD corner
Gray Water Sump Tank	B/C-4	Cabin floor, center rear sump by head
Waste Holding Tank	B/C-2	Under step/generator engine compartment FWD

SPECIFICATIONS AND LAYOUT

40 PERFORMANCE CRUISER

Specifications

Approximate Weight:

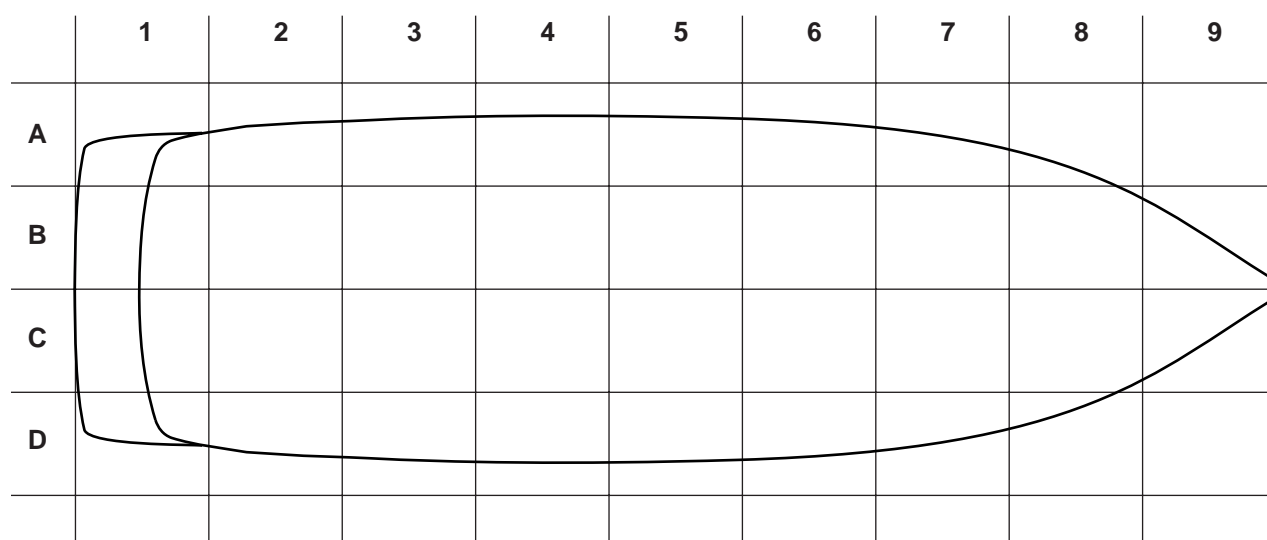
Gas Power	18,510 lb (8,396 kg)
Diesel Power	18,900 lb (8,573 kg)

Capacities:

Port Fuel Tank	130 Gal.
Starboard Fuel Tank	118 Gal.
Fresh Water Tank	60 Gal. (227 L)
Hot Water Tank	11 Gal. (42 L)
Holding Tank	57 Gal. (216 L)

Steering System Full Hydraulic (Helm Pump)

Battery Charger 60 Amp



FOR128

Equipment Location

Item	Location	Remarks
AC/DC Control Panel	D-4	Cabin, above aft dinette seat
Air Conditioning Controller	D-4	Cabin, above aft dinette seat
Automatic Fire Extinguisher	C-2	FWD engine compartment, STBD side
Battery Charger	B-2	FWD engine compartment, PORT side
Battery ON/OFF Switch - House Battery	A-3	Beneath cockpit wet bar
Battery ON/OFF Switch - Starting Batteries	B/C-3	FWD bilge wall - above generator
Battery Parallel Switch	B/C-3	FWD bilge wall - above generator
Bilge Pump - FWD	B/C-5	Cabin floor FWD sump by galley
Bilge Pump - Rear	B-2	Engine compartment, keel
Carbon Monoxide Detector	D-2	Aft cabin, behind hanging locker, STBD side
Central Vacuum	D-3	Under aft cabin starboard seat cushion
Circuit Breaker Panel - Helm	D-3	Beneath dash starboard side
Circuit Breaker Panel - Cockpit	A-3	Cockpit, wet bar, behind aft storage door
Circuit Breaker - Shore 1 Power Cord	D-2	Seat cushion, beneath aft cockpit STBD side corner
Circuit Breaker - Shore 2 Power Cord	D-2	Seat cushion, beneath aft cockpit STBD side corner
Circuit Breaker - Windlass	B/C-3	FWD bilge wall - above generator

PERFORMANCE CRUISER/SUPER SPORT

Item	Location	Remarks
Circuit breaker - Auxiliary Power	B/C-3	FWD bilge wall - above generator
Drive Unit Pump - PORT	N/A	
Drive Unit Pump - STBD	N/A	
Engine Compartment Blower	A-2/D-2	Engine compartment, PORT/STBD walls
Engine Compartment Manual Lift Handle	N/A	
Engine Compartment Switch	C-2	Under cockpit aft seat corner cushion
Fire Extinguisher - Cabin	A-5	Cabin galley, beneath sink
Fire Extinguisher - Cockpit	A-2	Cockpit, beneath wet bar sink
Fresh Water Dockside Hookup	D-1	Swim platform, aft, STBD corner
Fresh Water Level Indicator	A-5	Cabin galley, beneath sink
Fresh Water Pump	A-5	Cabin galley, behind refrigerator
Fuel Tank Fill - PORT	A-2	Deck, aft PORT side
Fuel Tank Fill - STBD	D-2	Deck, aft STBD side
Helm Hydraulic Reservoir Fill	D-4	Helm, center; FWD of steering wheel
Hull Identification Number	D-1	Hull, below rubrail, aft STBD corner
Seacock - Macerator Discharge	D-1	STBD aft corner
Seacock - Air Conditioning	B-5	Cabin, aft floor storage
Seacock - Generator	C-3	Forward engine compartment, STBD side
Seacock - PORT Engine	B-3	Engine compartment, FWD PORT side
Seacock - STBD Engine	C-3	Engine compartment, FWD STBD side
Shower Sump Box	B/C-4	Center aft cabin storage compartment
Single Point Water Fill Switch	A-5	Beneath galley sink
Strainer - Air Conditioning	B-5	Cabin, aft floor storage
Strainer - Generator	C-3	Engine compartment, FWD STBD side
Strainer - PORT Engine	B-3	Engine compartment, FWD PORT side
Strainer - STBD Engine	C-3	Engine compartment, FWD STBD side
Telephone Dockside Receptacle	D-1	Swim platform, aft, STBD corner
Transom Shower	A-1	Swim platform, aft, STBD corner
Trim Tab Pump	A-1	Engine compartment, PORT side wall
TV Antenna/Cable Switch	A-4	Cabin galley, beneath sink
TV Signal Amplifier	A-4	Cabin galley, beneath sink
Waste Deck Plate	D-1	Swim platform, STBD side
Gray Water Sump Tank	B/C-4	Cabin floor center rear sump by head
Waste Holding Tank	B/C-2	Under step/generator engine compartment FWD

SPECIFICATIONS AND LAYOUT

41 PERFORMANCE CRUISER

Specifications

Approximate Weight:

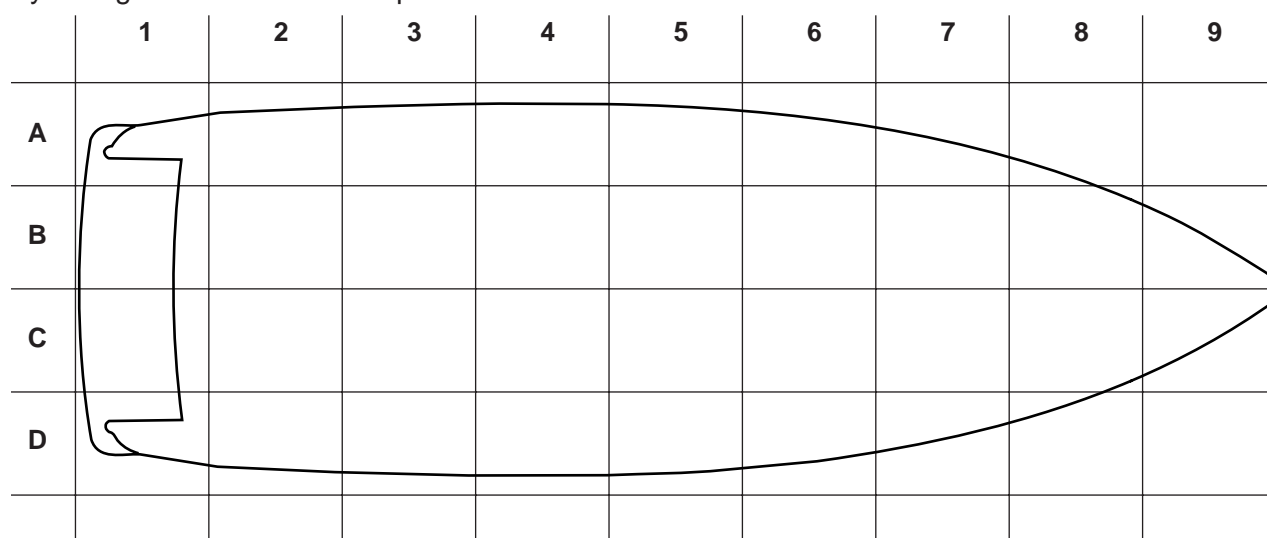
Gas Power	18,520 lb (8,401 kg)
Diesel Power	21,015 lb (9,532 kg)

Capacities:

Port Fuel Tank	159 Gal. (gas); 178 Gal. (diesel)
Starboard Fuel Tank	149 Gal. (gas); 168 Gal. (diesel)
Fresh Water Tank	81 Gal. (307 L)
Hot Water Tank	11 Gal. (42 L)
Holding Tank	30 Gal. (113 L) - gas; 50 Gal. (189 L) - diesel

Steering System Full Hydraulic (Helm Pump) - gas;
Power Assisted Full Hydraulic - diesel

Battery Charger 80 Amp



Equipment Location

FOR129

Item	Location	Remarks
AC/DC Control Panel	A-3	Above aft dinette seat
Air Conditioning Controller	A-3	Above aft dinette seat
Automatic Fire Extinguisher	B-2	Engine compartment, FWD wall
Battery Charger	B-2	Engine compartment, FWD wall
Battery ON/OFF Switches	B-3/C-3/ A-3	Engine battery switches below aft cabin center seat cushion. Aux battery switch below sink in cockpit wet bar
Battery Parallel Switch	B-3	Aft cabin, below center seat cushion
Bilge Pump - FWD	B-4	Cabin, aft floor storage
Bilge Pump - Rear	B-3	Engine compartment, beneath center walk thru
Carbon Monoxide Detector	D-3	Aft cabin, STBD upper portion
Central Vacuum	A-6	Hanging locker, V-berth PORT side
Circuit Breaker Panel - Helm	D-4	Beneath dash
Circuit Breaker Panel - Cockpit	A-3	Cockpit, beneath wet bar sink
Circuit Breaker - Shore 1 Power Cord	D-1	Aft cockpit seating, beneath STBD corner cushion
Circuit Breaker - Shore 2 Power Cord	D-1	Aft cockpit seating, beneath STBD corner cushion
Circuit Breaker - Windlass	A-3	Cockpit, beneath wet bar sink
Circuit Breaker - Auxiliary Power	A-3	Cockpit, beneath wet bar sink
Drive Unit Pump - PORT	N/A	

PERFORMANCE CRUISER/SUPER SPORT

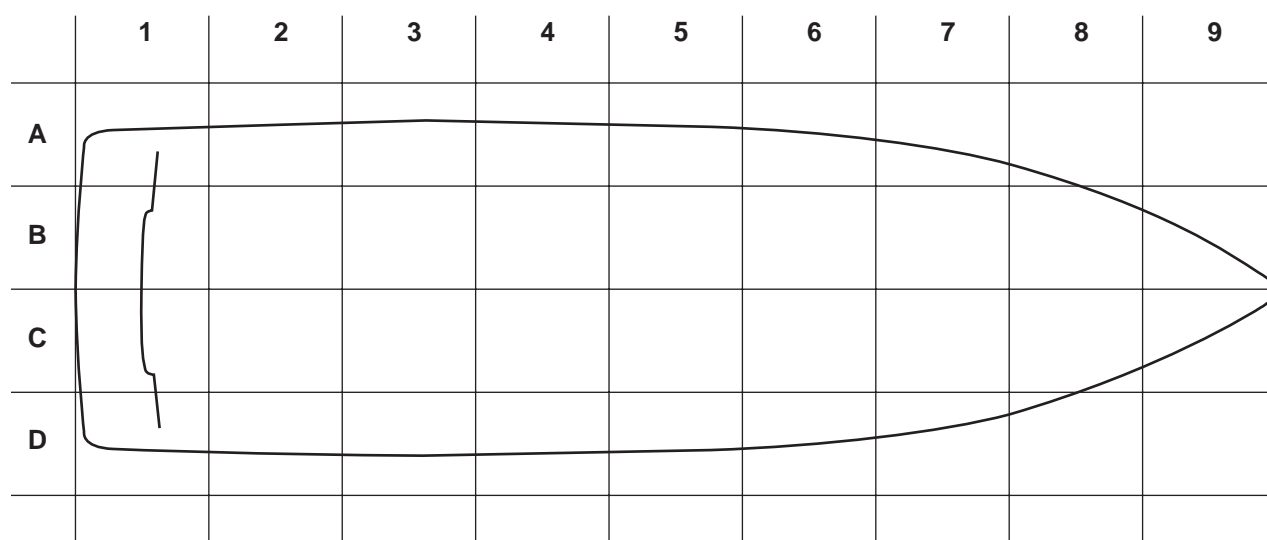
Item	Location	Remarks
Drive Unit Pump - STBD	N/A	
Engine Compartment Blower	A-2/D-2	Engine walls - aft, PORT and STBD
Engine Compartment Manual Lift Handle	B-2	Engine hatch, center aft portion
Engine Compartment Switch	A-2	Cockpit - PORT, aft line locker
Fire Extinguisher - Cabin	D-4	Cabin galley, beneath sink
Fire Extinguisher - Cockpit	A-3	Cockpit, beneath wet bar sink
Fresh Water Dockside Hookup	D-1	Swim platform, aft, STBD corner
Fresh Water Level Indicator	D-4	Cabin galley, beneath sink
Fresh Water Pump	C-4	Cabin, aft floor storage
Fuel Tank Fill - PORT	A-3	Deck, aft PORT side
Fuel Tank Fill - STBD	D-3	Deck, aft STBD side
Helm Hydraulic Reservoir Fill	C-2	Center of helm on non-power steering boats (gas)/ STBD side fuel tank wall in engine compartment for power steering boats (diesel)
Hull Identification Number	D-1	Hull, aft STBD corner beneath gunwale
Seacock - Macerator Discharge	B-2	Front of PORT engine
Remote Oil Change System	B-3	Forward engine compartment wall
Seacock - Air Conditioning	B-2	Engine compartment, beneath center walk thru
Seacock - Generator	C-2	Aft center behind STBD engine
Seacock - PORT Engine	B-3	Forward engine compartment, PORT side
Seacock - STBD Engine	C-3	Forward engine compartment, STBD side
Strainer - Air Conditioning	B-2	Engine compartment, beneath center walk thru
Strainer - Generator	C-2	Aft center behind STBD engine
Strainer - PORT Engine	B-3	Forward engine compartment, PORT side
Strainer - STBD Engine	C-3	Forward engine compartment, STBD side
Telephone Dockside Receptacle	D-1	Swim platform, aft, STBD side
Transom Shower	A-1	Swim platform, aft PORT side
Trim Tab Pump	D-1	Engine wall, STBD aft
TV Antenna/Cable Switch	D-4	Cabin galley, beneath sink
TV Signal Amplifier	D-4	Cabin galley, beneath sink
Waste Deck Plate	A-1	Swim platform, aft PORT side
Gray Water Sump Tank	B/C-2	Engine compartment center sump
Waste Holding Tank	A-2	Engine compartment AFT of PORT engine

SPECIFICATIONS AND LAYOUT

370 SUPER SPORT

Specifications

Approximate Weight:	14,400 lb (6,532 kg)
Capacities:	
Port Fuel Tank	127.5 Gal.
Starboard Fuel Tank	113 Gal.
Fresh Water Tank	43 Gal. (163 L)
Hot Water Tank	11 Gal. (42 L)
Holding Tank	50 Gal. (189 L)
Steering System	Cable to Hydraulic Assist Ram
Battery Charger	80 Amp



Equipment Location

FOR130

Item	Location	Remarks
AC/DC Control Panel	D-5	Cabin, in front of head unit
Air Conditioning Controller	D-5	Cabin, in front of head unit
Automatic Fire Extinguisher	A-2	Engine compartment, FWD STBD wall
Battery Charger	A-2	Engine compartment, PORT side wall
Battery ON/OFF Switches	A-2	Cockpit, beneath wet bar sink
Battery Parallel Switch	A-2	Cockpit, beneath wet bar sink
Bilge Pump - FWD	C-3	Beneath aft cabin mattress
Bilge Pump - Rear	B-2/C-2	Center engine compartment, PORT/STBD sides
Carbon Monoxide Detector	C-3	Aft cabin, FWD wall
Central Vacuum	D-6	Beneath aft STBD side V-berth cushion
Circuit Breaker Panel - Helm	D-4	Beneath dash
Circuit Breaker Panel - Cockpit	A-2	Cockpit, beneath wet bar sink
Circuit Breaker - Shore 1 Power Cord	D-1	Cockpit, beneath aft corner seat cushion
Circuit Breaker - Shore 2 Power Cord	D-1	Cockpit, beneath aft corner seat cushion
Circuit Breaker - Windlass	A-2	Cockpit, beneath wet bar sink
Circuit Breaker - Auxiliary Power	A-2	Cockpit, beneath wet bar sink
Drive Unit Pump - PORT	A-1	PORT engine, PORT side

PERFORMANCE CRUISER/SUPER SPORT

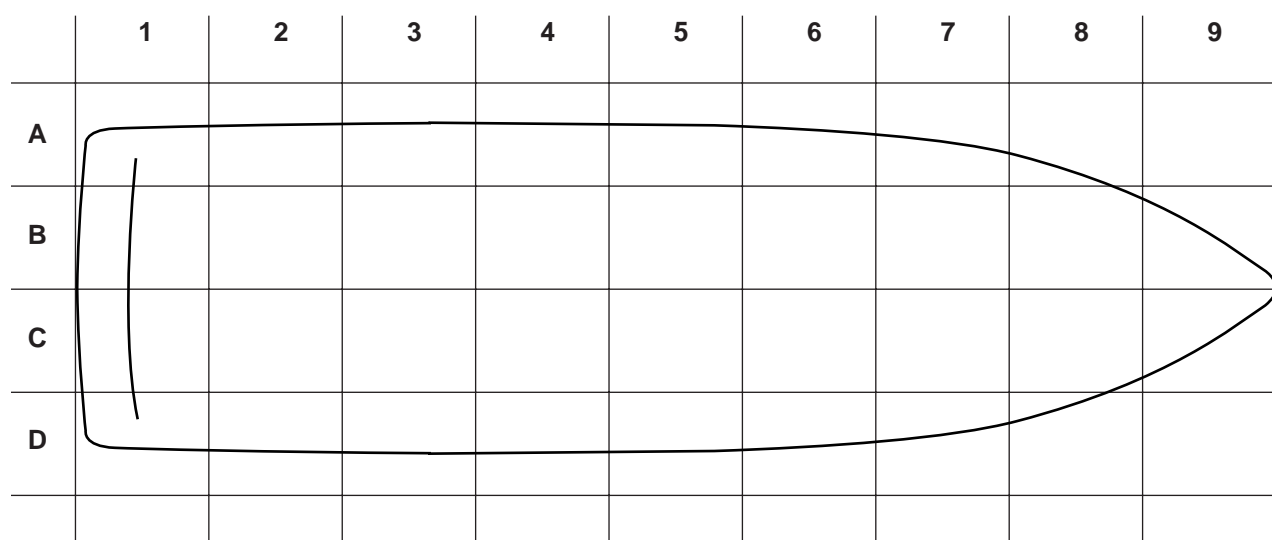
Item	Location	Remarks
Drive Unit Pump - STBD	D-1	Engine compartment, STBD side
Engine Compartment Blower	A-1/D-1	Engine walls, PORT/STBD sides
Engine Compartment Manual Lift Handle	N/A	
Engine Compartment Switch	C-5	Dash, PORT side, near ignition switches
Fire Extinguisher - Cabin	A-5	Cabin galley, FWD cabinet beneath sink
Fire Extinguisher - Cockpit	A-2	Cockpit, beneath wet bar sink
Fresh Water Dockside Hookup	D-1	Swim platform, aft, STBD side
Fresh Water Level Indicator	A-5	Cabin galley, beneath sink
Fresh Water Pump	B-2	Forward engine compartment, PORT side
Fuel Tank Fill - PORT	A-2	Deck, aft PORT side
Fuel Tank Fill - STBD	D-2	Deck, aft STBD side
Helm Hydraulic Reservoir Fill	N/A	
Hull Identification Number	D-1	Hull, below rubrail, aft STBD corner
Seacock - Macerator Discharge	C-2	Engine compartment, FWD STBD engine
Seacock - Air Conditioning	C-2	Forward engine compartment, STBD side
Seacock - Generator	B-2	Forward engine compartment, PORT side
Seacock - PORT Diesel Engine	N/A	
Seacock - STBD Diesel Engine	N/A	
Strainer - Air Conditioning	C-2	Forward engine compartment, STBD side
Strainer - Generator	B-2	Forward engine compartment, PORT side
Strainer - PORT Diesel Engine	N/A	
Strainer - STBD Diesel Engine	N/A	
Telephone Dockside Receptacle	D-1	Swim platform, aft, STBD side
Transom Shower	A-1	Swim platform, aft PORT side
Trim Tab Pump - PORT	N/A	
Trim Tab Pump - STBD	D-1	Engine wall, STBD aft
TV Antenna/Cable Switch	D-5	Cabinet, beneath AC/DC panel
TV Signal Amplifier	D-5	Cabinet, beneath AC/DC panel
Waste Deck Plate	D-1	Swim platform, aft, STBD side
Gray Water Sump Tank	B/C-3	Under aft cabin mattress
Waste Holding Tank	D-2	Engine compartment FWD

SPECIFICATIONS AND LAYOUT

400 SUPER SPORT

Specifications

Approximate Weight:	15,500 lb (7,031 kg)
Capacities:	
Port Fuel Tank	131 Gal.
Starboard Fuel Tank	119 Gal.
Fresh Water Tank	50 Gal. (189 L)
Hot Water Tank	11 Gal. (42 L)
Holding Tank	50 Gal. (189 L)
Steering System	Cable to Hydraulic Assist Ram
Battery Charger	80 Amp



Equipment Location

FOR131

Item	Location	Remarks
AC/DC Control Panel	D-5	Cabin, in front of head unit
Air Conditioning Controller	D-5	Cabin, in front of head unit
Automatic Fire Extinguisher	D-2	Engine compartment, FWD STBD wall
Battery Charger	A-2	Engine compartment, PORT side
Battery ON/OFF Switches	A-3	Cockpit galley, beneath sink
Battery Parallel Switch	A-3	Cockpit galley, beneath sink
Bilge Pump - FWD	C-3	Beneath aft cabin mattress
Bilge Pump - Rear	B-2/C-2	Engine area, center fwd
Carbon Monoxide Detector	D-5	STBD cabin, AC/DC / TV wall
Central Vacuum	D-6	Beneath aft STBD side V-berth cushion
Circuit Breaker Panel - Helm	D-4	Beneath dash
Circuit Breaker Panel - Cockpit	A-2	Cockpit, beneath wet bar sink
Circuit Breaker - Shore 1 Power Cord	D-2	Cockpit, beneath aft STBD corner cushion
Circuit Breaker - Shore 2 Power Cord	D-2	Cockpit, beneath aft STBD corner cushion
Circuit Breaker - Windlass	A-2	Cockpit, beneath wet bar sink
Circuit Breaker - Auxiliary Power	A-2	Cockpit, beneath wet bar sink
Drive Unit Pump - PORT	A-1	Engine compartment, PORT engine - PORT side

PERFORMANCE CRUISER/SUPER SPORT

Item	Location	Remarks
Drive Unit Pump - STBD	D-1	Engine compartment, STBD engine - STBD side
Engine Compartment Blower	A-1/D-1	Engine walls, aft PORT and STBD, aft
Engine Compartment Manual Lift Handle	N/A	
Engine Compartment Switch	D-4	Dash, port side, near ignition switches
Fire Extinguisher - Cabin	A-4	Hanging locker, PORT side beneath stereo
Fire Extinguisher - Cockpit	A-2	Cockpit, beneath wet bar sink
Fresh Water Dockside Hookup	D-1	Swim platform, aft, STBD side
Fresh Water Level Indicator	A-5	Cabin galley, behind mid-galley sliding door
Fresh Water Pump	A-2	Forward engine compartment, PORT side
Fuel Tank Fill - PORT	A-3	Deck, PORT side near radar arch
Fuel Tank Fill - STBD	D-3	Deck, STBD side near radar arch
Helm Hydraulic Reservoir Fill	N/A	
Hull Identification Number	D-1	Hull, below rubrail, aft STBD corner
Seacock - Macerator Discharge	C-2	Engine compartment, beneath hinged step
Seacock - Air Conditioning	C-2	Engine compartment, STBD engine - STBD side
Seacock - Generator	B-2	Engine compartment, PORT engine - PORT side
Seacock - Port Diesel Engine	N/A	
Seacock - STBD Diesel Engine	N/A	
Strainer - Air Conditioning	C-2	Engine compartment, STBD engine - STBD side
Strainer - Generator	B-2	Engine compartment, PORT engine - PORT side
Strainer - Port Diesel Engine	N/A	
Strainer - STBD Diesel Engine	N/A	
Telephone Dockside Receptacle	D-1	Swim platform, aft, STBD side
Transom Shower	A-1	Swim platform, aft PORT side
Trim Tab Pump - PORT	A-1	Engine wall, PORT side aft
Trim Tab Pump - STBD	D-1	Engine wall, STBD aft
TV Antenna/Cable Switch	D-5	Cabinet, beneath AC/DC panel
TV Signal Amplifier	D-5	Cabinet, beneath AC/DC panel
Waste Deck Plate	D-1	Swim platform, aft, STBD side
Gray Water Sump Tank	C-3	Under aft cabin mattress
Waste Holding Tank	D-2	Engine compartment FWD



Section 4 Controls and Indicators

Knowing the controls and indicators on your boat is essential for safe and proper operation.

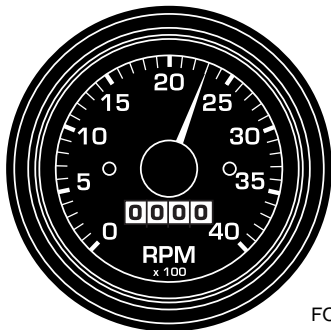
GAUGES

Your Formula boat is equipped with two sets of gauges. The port set is for monitoring operation of the port engine. The starboard set is for monitoring operation of the starboard engine. The gauges are illuminated for night operation.

On occasion, a small fluctuation in a gauge reading is not unusual. If an instrument reading is outside the normal or recommended ranges, determine the cause or see your Formula dealer. Refer to the propulsion unit operator's manual for normal recommended ranges.

Tachometer—Registers engine speed in revolutions per minute (RPM). Use this gauge to keep the engine within the proper operating range.

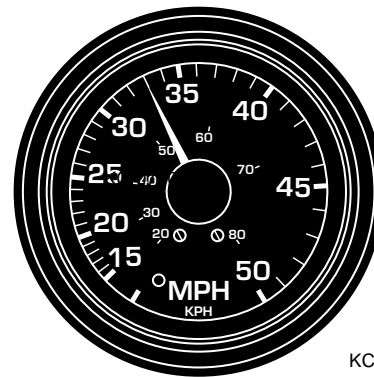
An hour meter is incorporated in the tachometer. The hour meter accumulates engine operating time, and is activated when the ignition switch is ON. Consult your propulsion unit operator's manual for the proper RPM operating range for your engines.



Tachometer
Figure 4-1

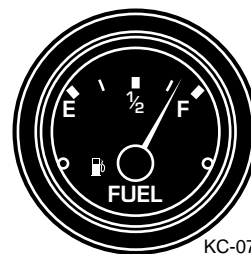
FOR071

Speedometer—Registers forward speed in miles per hour. Use this gauge to monitor fuel consumption and propeller performance. Since its input is received from a water pressure hose, accuracy is only approximate.



KC-0710

Speedometer
Figure 4-2



KC-0720

Fuel Level Gauge
Figure 4-3

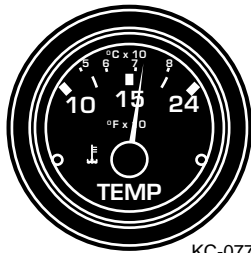
Fuel Level Gauge—Measures approximate level of fuel in a fuel tank. The left gauge indicates the fuel level in the port fuel tank. The right gauge indicates the fuel level in the starboard fuel tank. The ignition switch must be in the RUN position to activate the gauge.

Since the accuracy of your gauge varies with the attitude of your Formula boat (trim and list), and the fuel pick-up tube cannot withdraw all fuel out of the tank, please observe the One Third Rule. Use one third of your fuel to go out, one third to come back and one third as a reserve.

PERFORMANCE CRUISER/SUPER SPORT

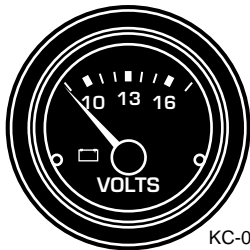
Engine Water Temperature Gauge

Indicates the water/coolant temperature inside the engine. Refer to the propulsion unit operator's manual for normal operating temperature. After starting the engine, check your temperature gauge for abnormally high readings. If the reading is outside the manufacturer's operating range, immediately turn off the engine. An abnormally high temperature is the result of cooling water blockage. Consult your Formula dealer when experiencing a high engine temperature reading.



KC-0770
Engine Water Temperature Gauge
 Figure 4-4

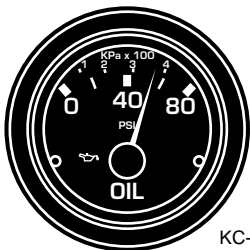
Voltmeter—Indicates the condition of the engine's cranking battery in volts DC. With the ignition switch on and the engine not running, a reading between 11.5 and 12.5 volts indicates a fully charged battery. With the engine running at idle, the gauge should read between 10 and 12 volts. With the engine running at cruising speeds and above, it should show 12 to 14 volts. Have your Formula dealer check the charging system if the voltmeter reads below these normal ranges.



KC-0750
Voltmeter
 Figure 4-5

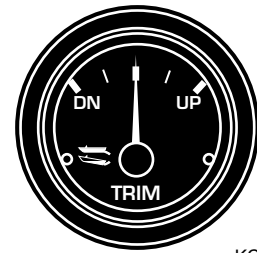
Engine Oil Pressure Gauge

Measures the pressure of the engine's lubricating oil. Refer to the propulsion unit operator's manual for normal operating pressure. Many serious engine problems are reflected on oil pressure gauge readings. If the pressure is lower than the manufacturer's specification, immediately shut off the engine. Contact your Formula dealer to correct the problem before operating the engine.



KC-0780
Engine Oil Pressure Gauge
 Figure 4-6

Trim Gauge—Displays the position of the drive unit.



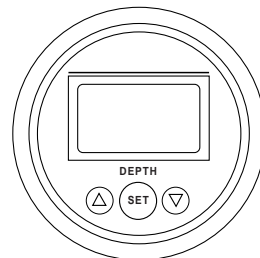
KC-0740
Trim Gauge
 Figure 4-7

Rudder Indicator Gauge—Indicates position of the rudder on inboard powered models.

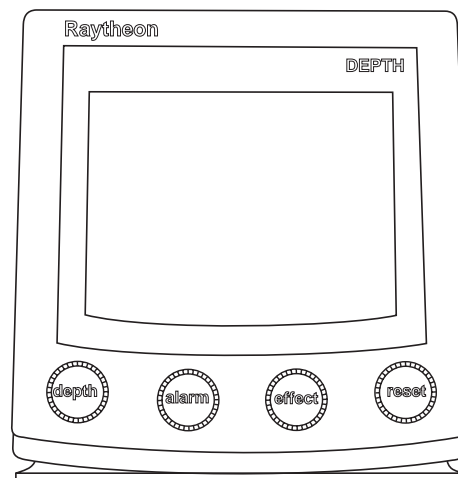


FOR072
Rudder Indicator Gauge
 Figure 4-8

Depth Gauge—Displays the depth of the water under the boat. To avoid running aground in shallow water, add distance to the meter reading and maintain a very slow speed. A switch at the helm activates the gauge. For operating instructions, refer to the depth gauge instructions in your Owner Information Binder.



FOR055
Depth Gauge
 Figure 4-9



FOR203
Raytheon ST60 Depth Finder
 (in some larger Cruisers and Super Sports)
 Figure 4-10

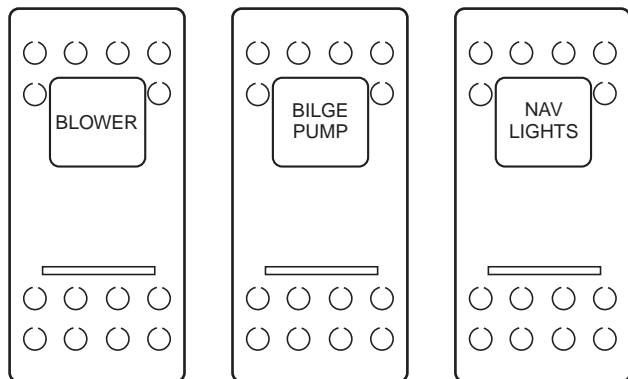
CONTROLS AND INDICATORS

SWITCHES

Rocker-type switches are used in your Formula boat to activate an electrical circuit. Push the top of the switch to activate the circuit. The switch will remain ON and a light will illuminate the switch. Push the bottom of the switch to turn it OFF.

NOTICE

Some accessory switches (engine hatch, horn) are MOMENTARY switches. These switches must be held in place to operate the accessory. The switch returns to the OFF position when it is released.



Typical Rocker-Style Switches
Figure 4-11

Blower Switch—Activates the engine compartment ventilation blower to remove explosive fumes from the area.

The blower must be operated for a minimum of four minutes each time before starting the engines or generator. In addition, the blower should be operated continuously when at idle or running at slow speeds.

⚠ WARNING

Failure to operate the blower can lead to conditions favorable for an explosion which can cause severe personal injury or death.

Bilge Pump Switch—Manually controls the operation of the bilge pump.

Navigational Light Switch—This three position switch activates the navigational (running) lights and the anchor light. Push the top of the switch to activate the navigational lights. The center position is OFF. Push the bottom of the switch to activate the all-round white anchoring light.

NOTICE

Operate the boat between sunset and sunrise using your navigational lights. Navigational lights are legally required to indicate direction and right-of-way at night.

Cockpit Courtesy Lights Switch—Operates the interior courtesy lighting.

Panel Light Switch—Illuminates the instrument panel when in the ON position.

Engine Compartment Light—Operates the engine compartment light.

Docking Lights Switch—Operates the docking lights. Docking lights are to be used for docking only. It is illegal to use your docking lights while cruising.

CAUTION

Docking lights are intended for short term use only. Use of lights for extended periods may damage the hull and/or the lights.

Wiper Switch—Activates the windshield wiper.

Horn—Depending on model, a rocker-type switch or a push-button switch is used to activate the horn.

- Press the top of a rocker-type switch to activate the horn.
- Press the center on a push-button switch to activate the horn.

Engine Hatch Switch—Activates the engine compartment hatch electronic lift system. This switch may be located at the helm or at another location within the cockpit area. See **Specifications**, in **Section 3**.

In most Cruiser and Super Sport models, the positioning of the transom door plays a role in the activation of the engine hatch switch. In other words, for the engine hatch switch to be operable, the door must be in a certain position. In general, curved transom doors must be fully open and straight doors must be fully closed to allow activation of the engine hatch switch.

If the battery is low or disconnected, the engine compartment hatch can be opened manually. A lift handle is connected on the engine compartment hatch. Pull up on the handle six to eight inches. Remove the fast pin connecting the hatch to the hydraulic system. See **Specifications**, in **Section 3**, for the location of the manual lift handle on your boat.

PERFORMANCE CRUISER/SUPER SPORT

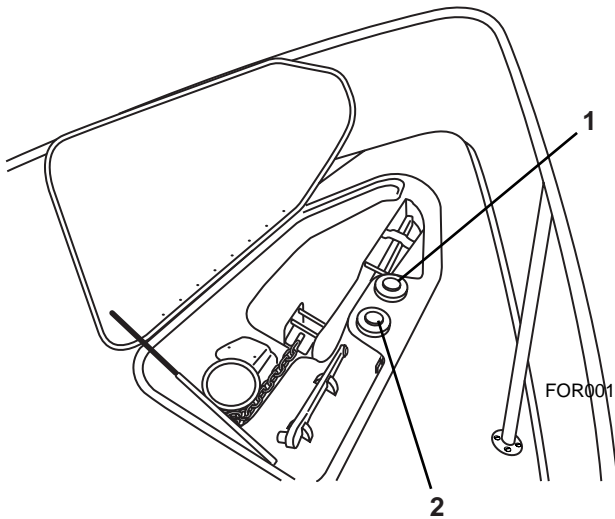
Windlass ON/OFF Switch—Supplies electrical power to operate the windlass from the helm. (Figure 4-12)

Windlass Up/Down Switch—Raises and lowers the windlass. The safety pin must be removed from the lock bracket before operating the windlass. Turn the windlass switch OFF and install the safety pin when the system is not in use. For additional Windlass system information, refer to **Anchoring and Sea Anchors**, in Section 7.

⚠ WARNING

The safety pin must be installed in the lock bracket when the windlass is not in use. Do not operate your Formula boat without the safety pin installed.

The windlass can be operated from the bow. Two foot operated switches are located under the anchor locker door.



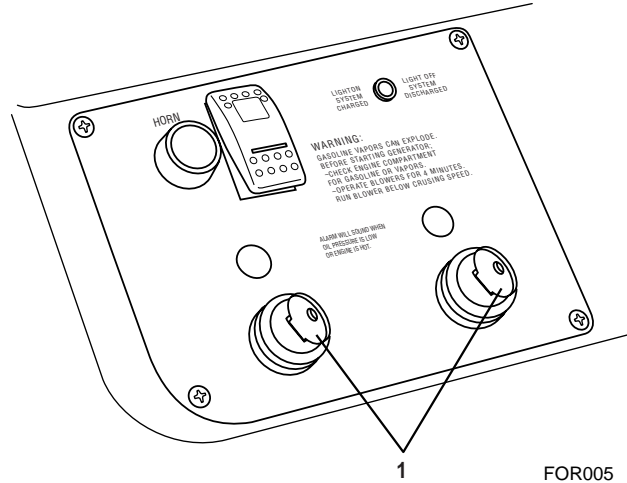
- 1. Down Manual Switch
- 2. Up Manual Switch

Windlass Manual Switches
Figure 4-12

Exhaust Diverter Switch—Controls the exhaust direction on the exhaust diverter system, if equipped.

Accessory Switch—This switch is available to operate an accessory item.

Ignition Switches—Each engine has a separate ignition switch. The left switch is for the port engine, and the right switch is for the starboard engine.



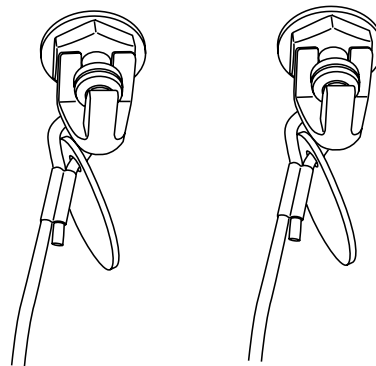
1. Ignition Switches

Ignition Switches
Figure 4-13

Ignition Safety Switches—Super Sport models are equipped with two ignition safety switches, one for each engine. The ignition safety switches are mounted on the starboard gunwale at the helm.

CAUTION

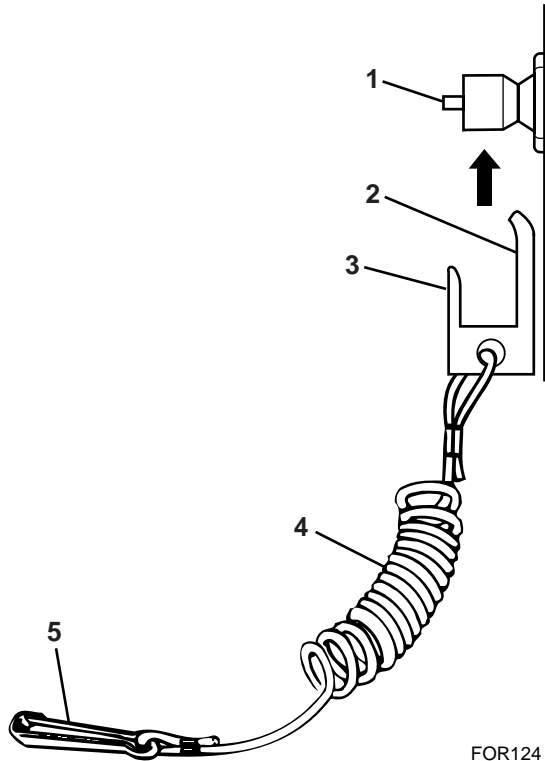
Do not allow your Formula boat to be operated without the proper use of the ignition safety switch and lanyard.



Ignition Safety Switches
Figure 4-14

CONTROLS AND INDICATORS

The ignition safety switch and lanyard will stop an engine in case of an emergency. Attach the lanyards to the boat operator whenever the engines are running but be aware there will be a loss of boat control if the switches are activated. If the operator is thrown from the seat or moves too far from the helm, the lanyards will become disconnected from the ignition safety switches, shutting off the engines.



FOR124

1. Ignition Safety Switch Button
2. Fork
3. Center Prong covers Safety Switch Button
4. Lanyard
5. Clothing Hook

Installing Lanyard to Ignition Safety Switch
Figure 4-15

To attach a lanyard, connect the clip to the ignition safety switch and the hook to a strong piece of clothing on the operator, such as a belt loop.

⚠ WARNING

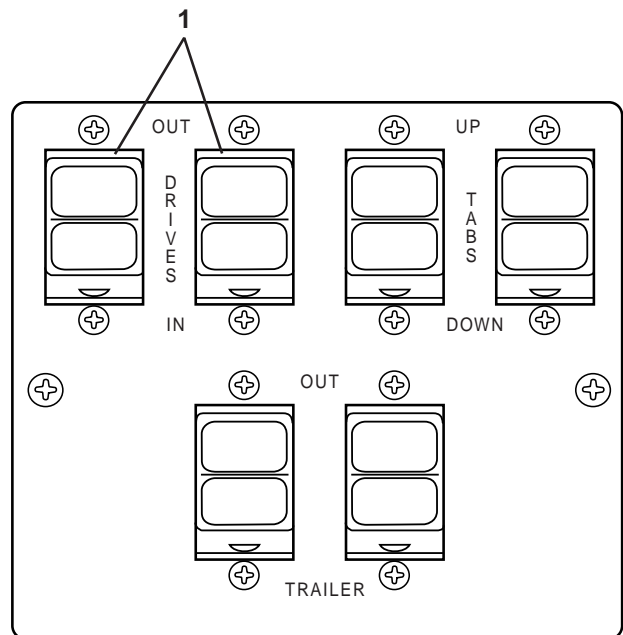
Attach the ignition safety switches' lanyards to the operator before starting the engines. This will prevent the boat from becoming a runaway if the operator is accidentally thrown away from the helm.

⚠ WARNING

The ignition safety switches can only be effective when they are in good working condition. Observe the following:

- **Do not remove or modify an ignition safety switch and/or its lanyard.**
- **The lanyard must be free from obstructions that could interfere with its operation.**

Drive Unit Trim Switch—Labeled “Drives,” these switches activate the drive units’ power trim feature for those formula models outfitted with stern drive power. Push and hold the top of the switch to raise the drive unit. Push and hold the bottom of the switch to lower the drive unit. Use this switch in combination with the trim gauge to maximize your boat performance.



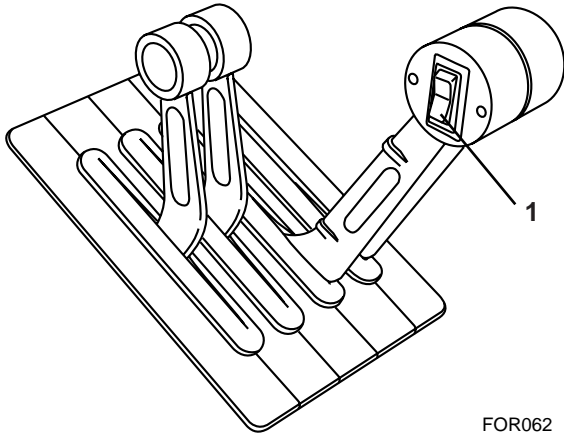
1. Trim Switches

Trim Switches
Figure 4-16

FOR045

On some remote controls, a combination port and starboard drive unit trim switch is located in the throttle handle of the remote control. Push and hold the switch until both drive units are at the desired angle.

PERFORMANCE CRUISER/SUPER SPORT



FOR062

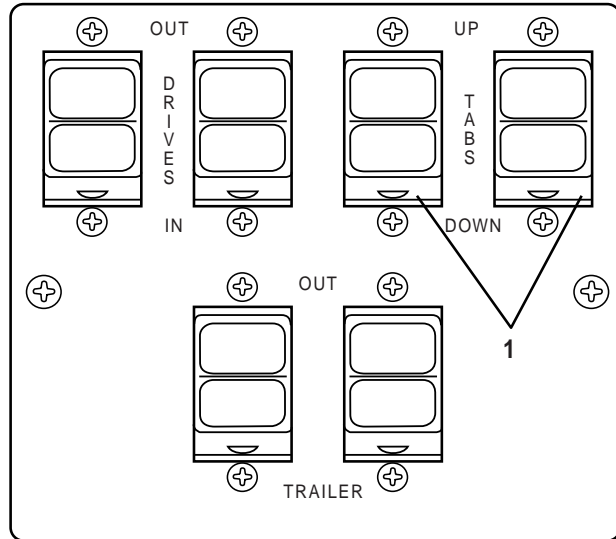
1. Trim Switch

**Remote Control Trim Switch
Figure 4-17**

On some models, the trim switch activates the drive unit's tilt feature. Other models have separate switches that activate the tilt feature. These switches are labeled "Trailer." The port switch activates the port drive unit's power tilt. The starboard switch activates the starboard drive unit's power tilt. Push the top of the switch to raise the drive unit.

Refer to **Trimming-Drive Units and Trim Tabs**, in **Section 7**, for additional information.

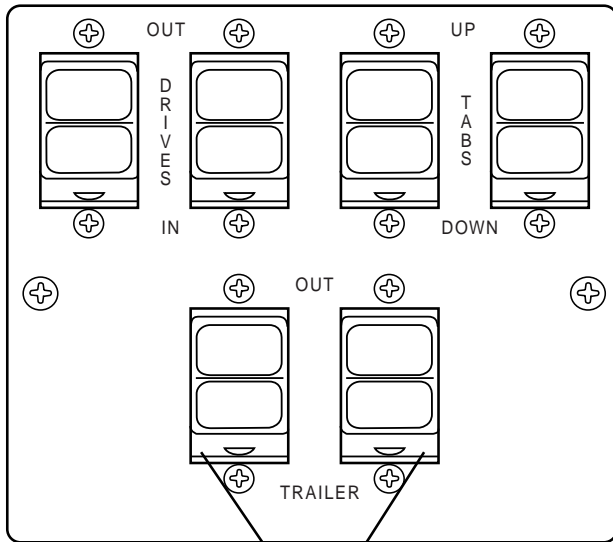
Trim Tab Switch—Labeled "TABS," these switches control the operation of the trim tabs. Adjusting trim tabs will improve the ride of your boat and correct listing from side to side due to varying weight distribution and/or sea and wind conditions. Refer to **Trimming-Drive Units and Trim Tabs**, in **Section 7**, for further trimming procedures.



FOR058

1. Trim Tab Switches

**Typical Trim Tab Switches
Figure 4-19**



FOR073

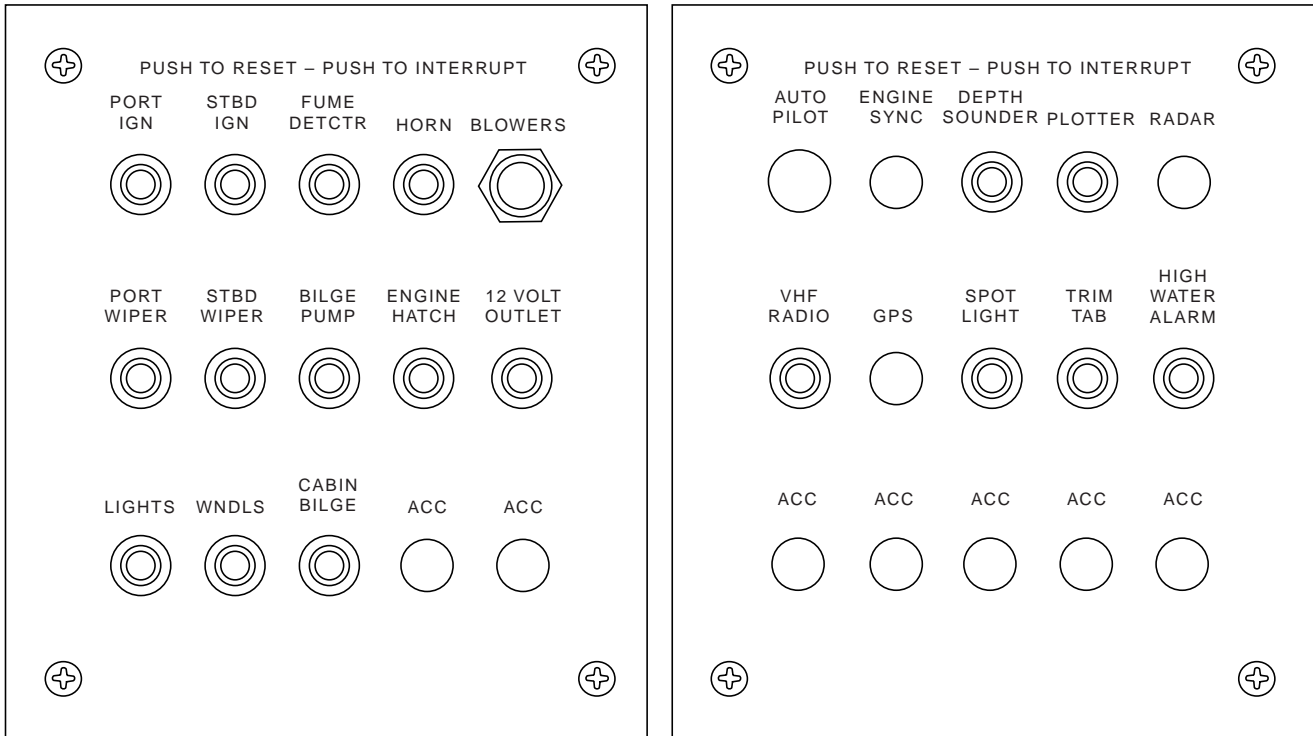
1. Trailer Switches

**Typical Trailer Switches
Figure 4-18**

CIRCUIT BREAKERS

A circuit breaker panel(s) is located at the helm. Most electrical equipment is controlled with circuit breakers. These breakers will activate if overloaded and cut power to the switch. To restore power, push the button in and release. If a circuit continuously overloads under normal operating conditions, have your boat inspected by your Formula dealer immediately.

CONTROLS AND INDICATORS



FOR011

Typical Circuit Breaker Panel
Figure 4-20

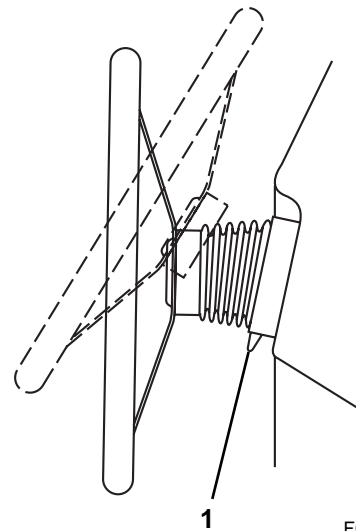
Your Formula has additional circuit breaker panels. For location of these panels, refer to **Specifications**, in **Section 3**, for your specific model.

STEERING

Your Formula boat is equipped with a tilt steering wheel. Adjust the tilt position by grasping the top of the steering wheel and depressing the release lever with your thumb. Release the lever to lock the steering wheel when achieving a comfortable position.

⚠ WARNING

Do not adjust the steering wheel tilt position while the boat is moving. Sudden boat movement may cause loss of balance resulting in loss of control and/or injury.



FOR059

1. Release Lever

Tilt Steering Wheel
Figure 4-21

PERFORMANCE CRUISER/SUPER SPORT

REMOTE CONTROLS

NOTICE

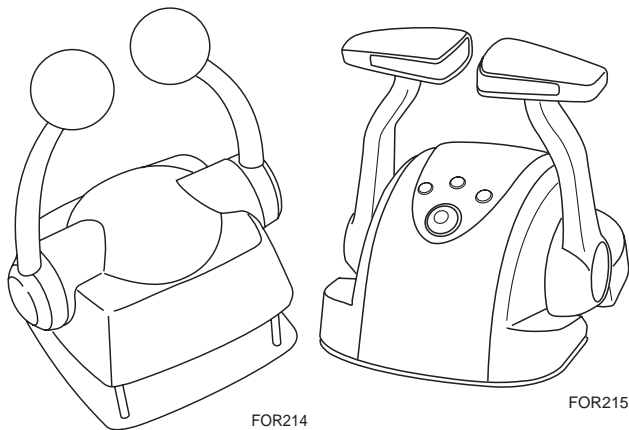
Your Formula boat is equipped with a safety switch for "start-in-neutral-only" operation. Be sure the shift lever is in NEUTRAL before attempting to start an engine.

The shift/throttle control on your Formula boat differs from model to model and may depend on the engine used. The following information relates to the general description about remote controls. Refer to the propulsion unit operator's manual or the control operator's manual for specific use.

The shift lever controls the drive unit or transmission operation. The throttle lever controls the engine speed. One of two different types of controls may be used: a single lever which combines both shift and throttle functions for each engine/drive, and a dual lever with one lever controlling the shift function and the other lever controlling the throttle.

Single Lever Controls

Single lever shift/throttle controls are grouped together for easier one-hand operation. When the lever(s) is "centered" in the detent position, the transmission is in NEUTRAL. Pushing the lever(s) forward engages the forward gear – continue pushing to increase engine speed. Pulling the lever(s) back engages the reverse gear – continue pulling to increase engine speed.

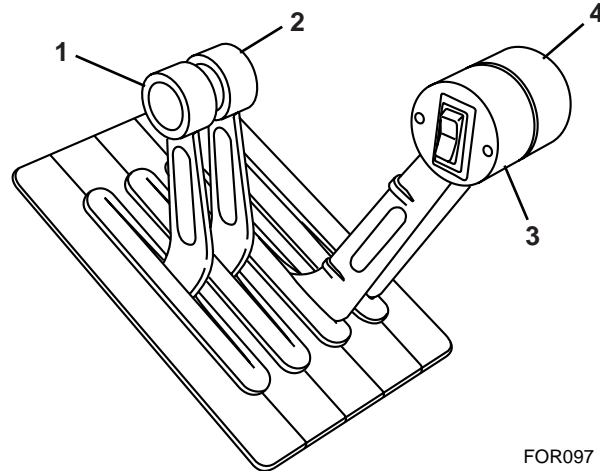


Typical Single Lever Controls

Dual Lever Controls

Dual lever controls may combine all shift and throttle controls into a single unit or shift controls in one unit and throttle controls in a separate unit.

The left levers are for the port engine and the right levers are for the starboard engine. The controls are arranged with the shift levers (all one size and color) grouped together and throttle levers (all the same size and color, and larger than the shift levers) grouped together.

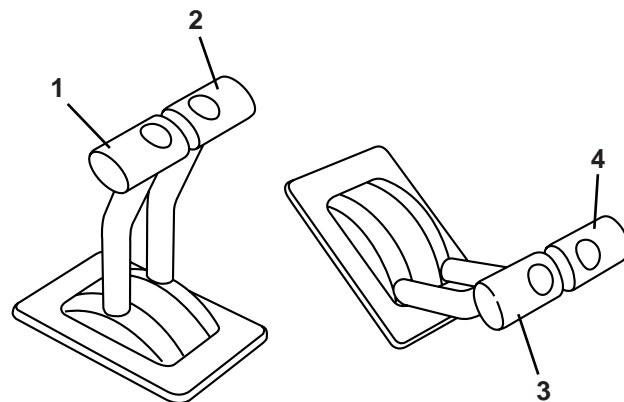


FOR097

1. Port Engine Shift Lever
2. Starboard Engine Shift Lever
3. Port Engine Throttle Lever
4. Starboard Engine Throttle Lever

Dual Lever Remote Control Figure 4-22

On some models, the shift levers and throttle levers are in separate units. The shift levers are to the port side of the helm, while the throttle levers are to the starboard side.



FOR061

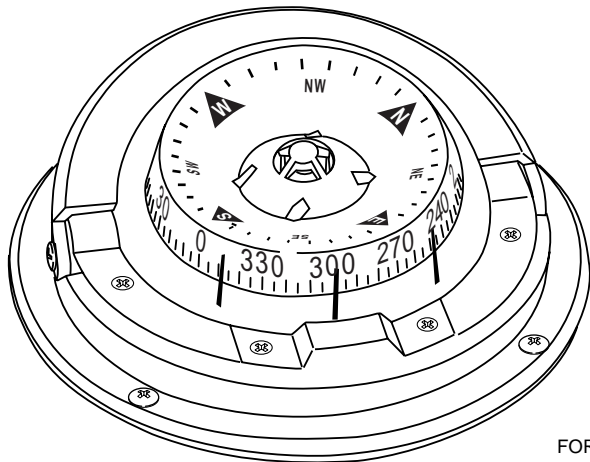
1. Port Engine Shift Lever
2. Starboard Engine Shift Lever
3. Port Engine Throttle Lever
4. Starboard Engine Throttle Lever

Dual Lever Remote Control - Separate Units Figure 4-23

CONTROLS AND INDICATORS

HELM CONTROLS AND INDICATORS

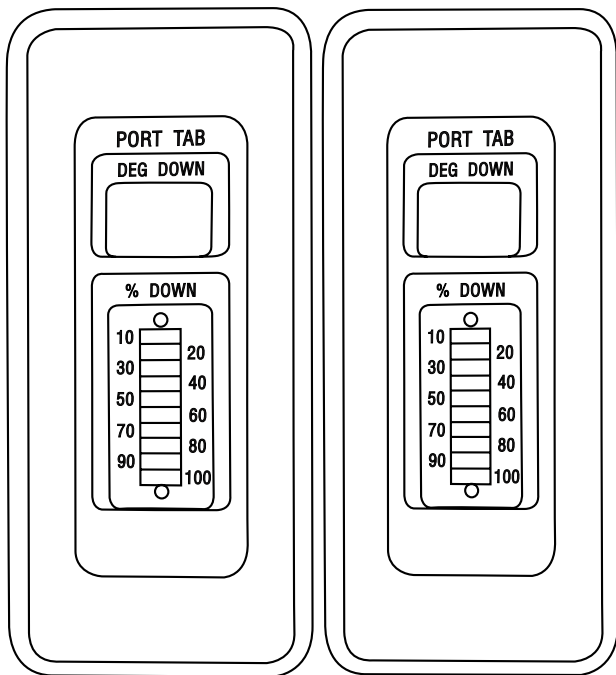
Compass—Aids in navigation of your Formula boat, a compass is mounted at the helm. Refer to the compass user's manual supplied in your Owner Information Binder for operating information.



FOR025

Compass
Figure 4-24

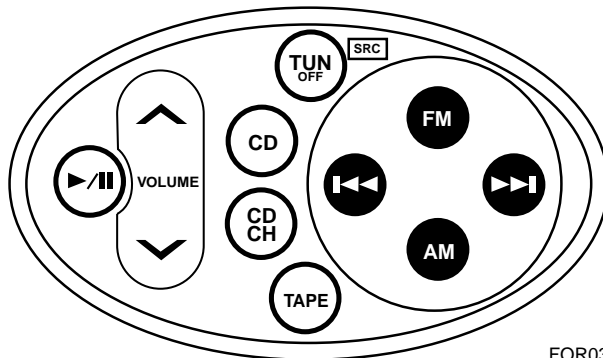
Trim Tab Indicators—Displays the trim tab location in degrees and percent of deflection. Refer to Trimming-Drive Units and Trim Tabs, in Section 7, for trim tab operation.



FOR063

Trim Tab Indicators
Figure 4-25

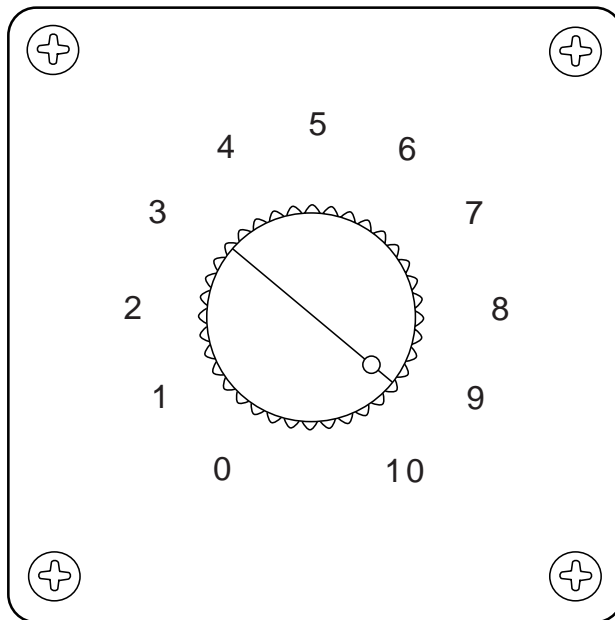
Stereo Remote Control—Provides full-feature stereo remote control from the helm (Figure 4-26).



FOR037

Stereo Remote Control
Figure 4-26

Stereo Remote Volume Control—Controls local volume of the stereo. Several volume controls are installed in your Formula boat (Figure 4-27).

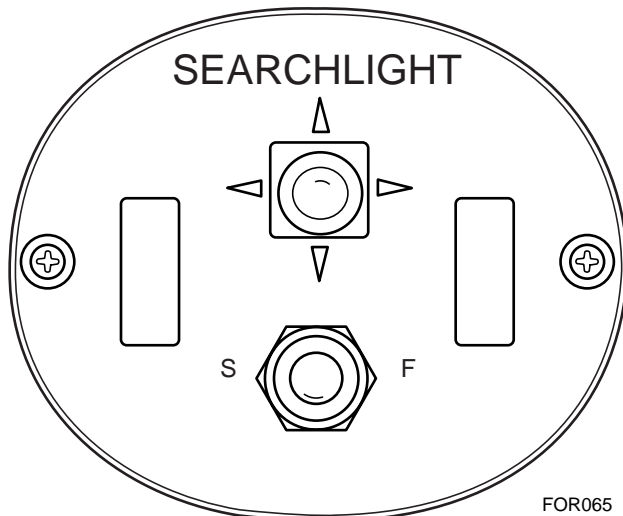


FOR013

Stereo Remote Volume Control
Figure 4-27

PERFORMANCE CRUISER/SUPER SPORT

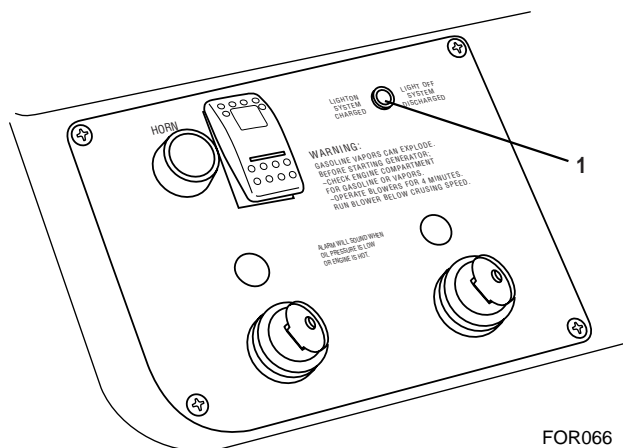
Search Light Remote Control—Electrically operates the search light from the helm. For operating information, refer to the search light operating instructions in your Owner Information Binder.



FOR065

Typical Search Light Remote Control
Figure 4-28

Automatic Fire Extinguisher Indicator—Monitors the fixed automatic fire extinguisher mounted in the engine compartment. The automatic fire extinguisher indicator light is located at the helm. When the light is on, the system is charged. When the light is off, the system is discharged and needs attention. Refer to **Automatic Fire Extinguisher**, in **Section 5**, for additional information.



FOR066

1. Indicator Light

Automatic Fire Extinguisher Indicator Light
Figure 4-29

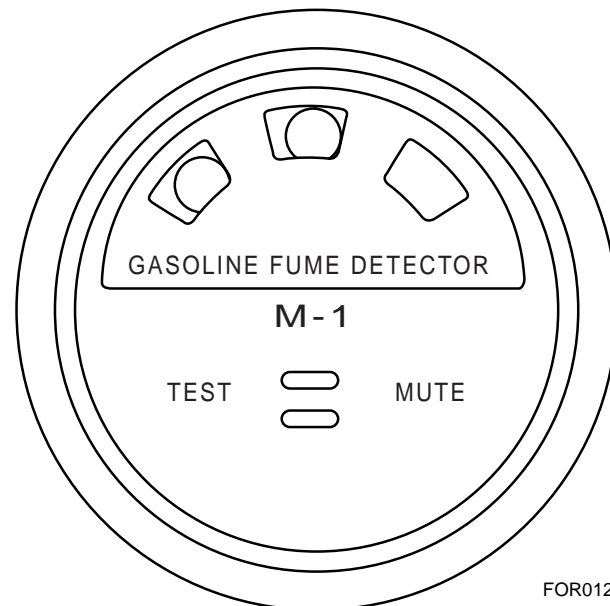
Fume Detector Gauge—Monitors the engine compartment for excessive fuel fumes. The gauge is mounted at the helm and a sensor is located in the bilge area where fumes collect. The system also monitors for unburned hydrocarbons from a faulty exhaust system and hydrogen battery vapors. Refer to the fume detector owner's manual for additional information.

⚠ WARNING

The fume detector system is meant to serve as a supplement warning system. It is not meant to replace standard safety practices which should be followed around explosive gases.

If the fume detector indicates a dangerous condition, do the following:

- Do not operate electrical equipment.
- Extinguish open flames and smoking materials immediately.
- Turn OFF the engines and generator.
- Wait five minutes before opening the engine compartment to investigate the cause.
- Determine the cause and correct it immediately before resuming operation.



FOR012

Fume Detector Gauge
Figure 4-30

CONTROLS AND INDICATORS

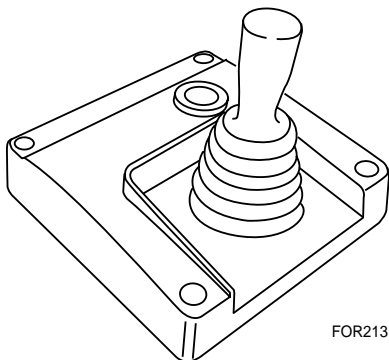
Bilge High Water Alarm—Alerts operator of excessive water in the bilge. The alarm is activated by a sensor mounted in the engine compartment. When activated, a continuous horn will sound. You must manually turn ON the bilge pump to clear excessive water. The alarm will stop sounding once the excessive water is cleared. There is a built-in 10 second delay to avoid nuisance tripping.

Engine Alarm—Sounds an alarm and a warning light will turn on when an engine temperature exceeds the set limit or if the oil pressure drops below the set range. If the alarm sounds during operation, immediately turn OFF the engine and determine the cause. The engine alarm will also sound if the outdrive lube level falls to a critical level. Consult the propulsion unit owner's manual in your Owner Information Binder for additional information.

CAUTION

Continued operation of an engine after the warning alarm has sounded may cause severe engine damage.

Bow Thruster—The optional bow thruster is a small electric motor mounted in the bow that helps to increase maneuverability of your Formula boat.



Bow Thruster Control

The bow thruster's main function is to make small adjustments of the bow at slow speed, such as mooring. It is not made for extended operation. The electric motor contains a thermal breaker to prevent the motor from overheating. When this breaker is activated, the bow thruster will not operate until the motor has cooled.

For more information on the bow thruster, refer to the manufacturer's instructions included in your Owner Information Binder.

CABIN CONTROLS AND INDICATORS

AC/DC Control Panel—This panel controls the distribution of the 110-volt alternating current (VAC) electrical system and the 12-volt direct current (VDC) electrical system.

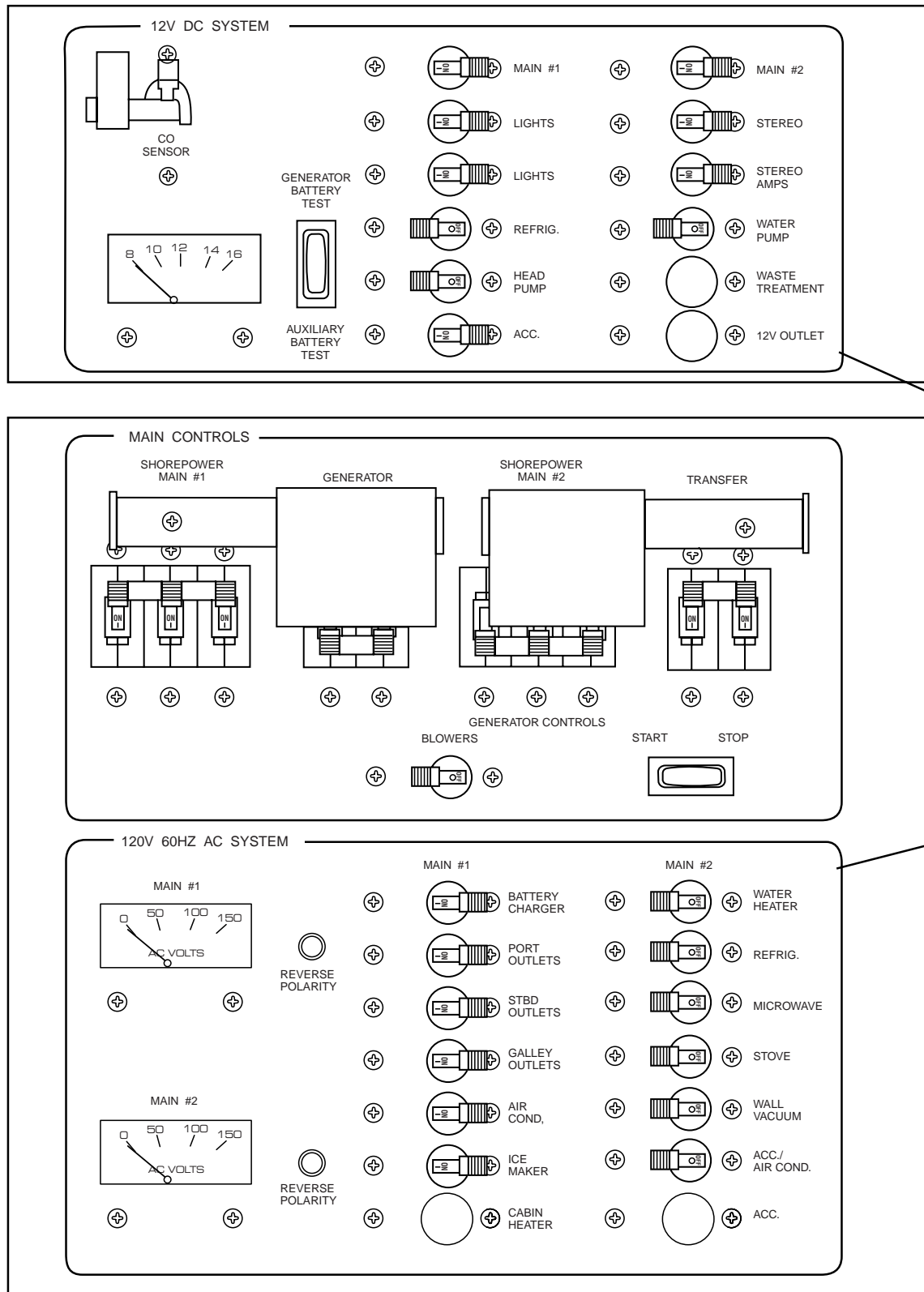
Both the AC and DC circuits are controlled by a switch-type circuit breaker. The circuit breaker functions in two ways. It allows you to manually enable or interrupt a circuit by moving the switch ON or OFF. They protect the system by automatically opening the circuit if a short or overloaded condition occurs.

Check the circuit if a particular piece of equipment stops working. A tripped circuit breaker indicates the circuit is overloaded. You should determine and correct the cause of a problem before resetting a circuit breaker.

Reset the breaker by pressing it back into place. Contact your Formula dealer if a circuit breaker keeps tripping.

Refer to **Section 5** for operation of the 12-VDC and 110-VAC electrical systems.

PERFORMANCE CRUISER/SUPER SPORT



1. DC Control Panel
2. AC Control Panel

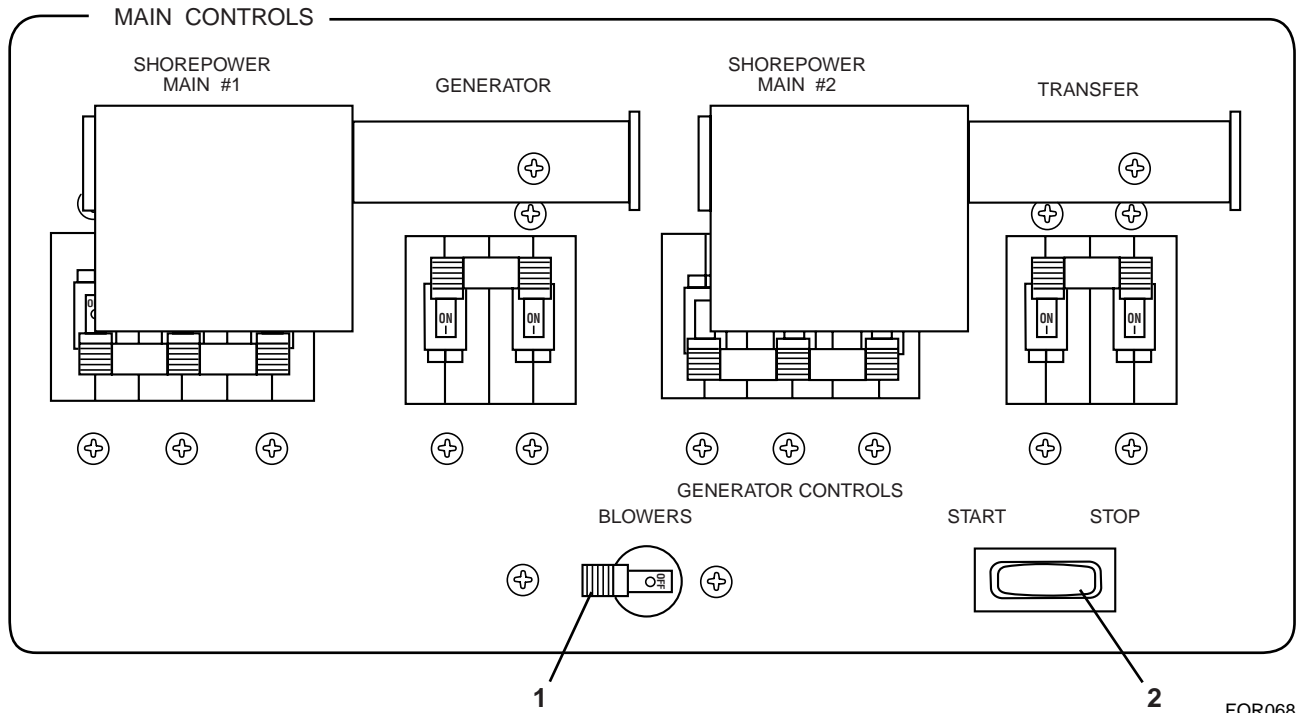
FOR146

AC/DC Control Panel
Figure 4-31

CONTROLS AND INDICATORS

Generator Control Panel—Controls operation of the generator. The generator control panel is located on the AC/DC control panel. Refer to **Generator**, in **Section 5**, for operating information.

⚠ WARNING
Operate the generator blower for at least four minutes each time before you start the generator.



Generator Control Panel
Figure 4-32

Carbon Monoxide Detector—Detects carbon monoxide gas. Carbon monoxide detectors are located in primary berthing areas such as the aft cabin and V-berth.

⚠ DANGER

Carbon monoxide gas (CO) is colorless, odorless and extremely dangerous. All engines and fuel burning appliances produce CO as exhaust. Direct and prolonged exposure to CO will cause **BRAIN DAMAGE** or **DEATH**. Signs of exposure to CO include nausea, dizziness and drowsiness.

⚠ WARNING

Test the carbon monoxide detectors operation before each trip, at least once a week and after the boat has been in storage. Do not tamper with the operation of the carbon monoxide detectors. They are installed for your safety.

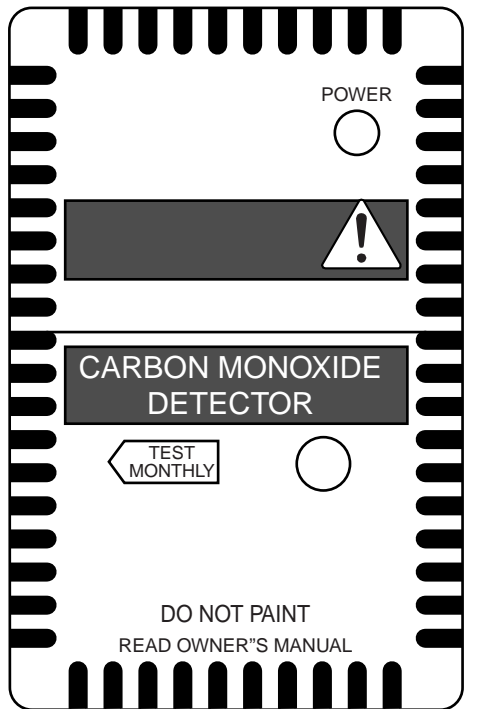
CAUTION

A carbon monoxide (CO) detector will only detect the presence of carbon monoxide gas at its sensor. Carbon monoxide may be present in other areas.

NOTICE

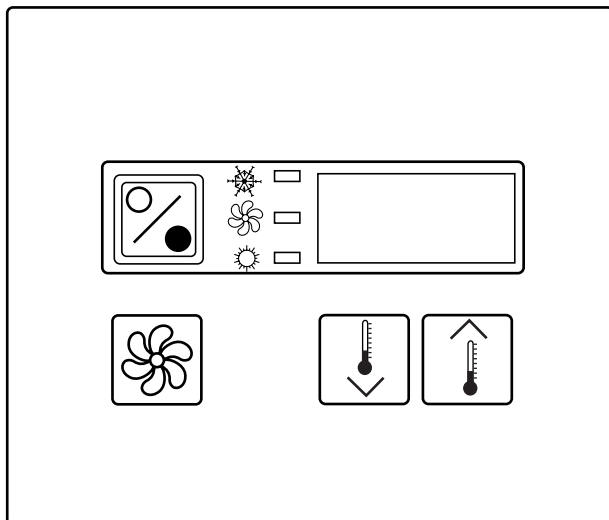
A carbon monoxide detector will not detect other vapors such as gasoline.

PERFORMANCE CRUISER/SUPER SPORT



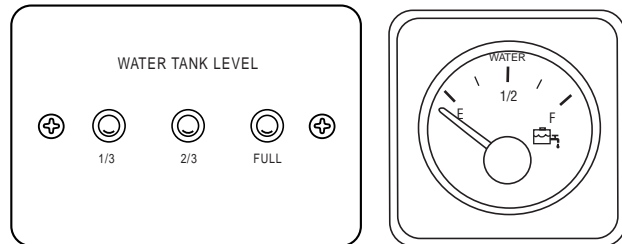
Carbon Monoxide Detector FOR069
Figure 4-33

Air Conditioning Controller—Displays information and controls certain aspects relative to the associated air conditioning system. Controller (Figure 4-34) for each unit is located centrally, relative to the area being cooled/heated. Refer to the air conditioning owner's manual in your Owner Information Binder for operating instructions.



Air Conditioning Controller FOR016
Figure 4-34

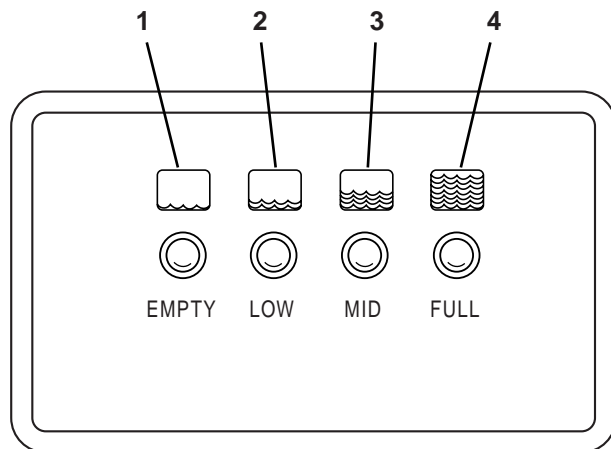
Fresh Water Level Indicator—Displays the available fresh water in the tank. The indicator is located under the galley sink. Your Formula boat may be equipped with either a gauge or a display panel. The Water Pump breaker located in the 12V section of the AC/DC panel must be “ON” to activate the indicator. Refer to **Fresh Water System**, in **Section 5**, for additional information.



FOR139

Fresh Water Level Indicator
Figure 4-35

Waste Tank Level Indicator—Displays the level of waste water in the tank. The indicator is located in the head compartment. The Head Pump breaker located in the 12V section of the AC/DC Panel must be “ON” to activate the indicator. Refer to **Waste Water System**, in **Section 5**, for additional information.



FOR018

1. Green Light—Empty
2. Yellow Light—Low
3. Orange Light—Mid
4. Red Light—Full

Waste Tank Level Indicator
Figure 4-36

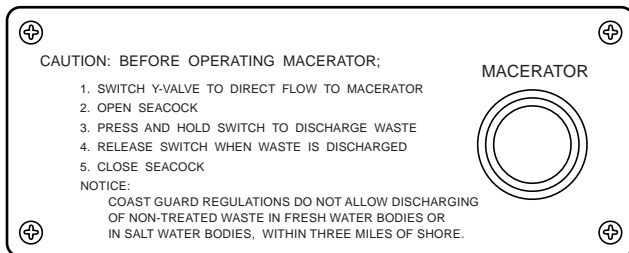
Head (Toilet)—Flushing is controlled by pushing down on the pedal at the base of the toilet. Lifting up on the pedal will raise the water level in the bowl, if needed.

CONTROLS AND INDICATORS

Macerator Control—Controls operation of the macerator waste system. Your Formula boat may be equipped with a macerator system that allows the discharging of waste water directly overboard through a seacock. The macerator control is located in the head compartment (**Figure 4-37**). The seacock's valve must be opened to allow activation of the macerator pump switch. The Head Treatment breaker located in the 12V section of the AC/DC panel must be "ON" to activate the macerator. For additional operating information, refer to the macerator operator's manual.

CAUTION

Overboard discharge of waste water should only be used in approved areas. It is your responsibility to comply with local regulations regarding the discharge of waste. You could be fined if your boat has an operable overboard discharge system. Removing the handle of the seacock while in a closed position, or disabling the system by other means may be required to avoid a fine.

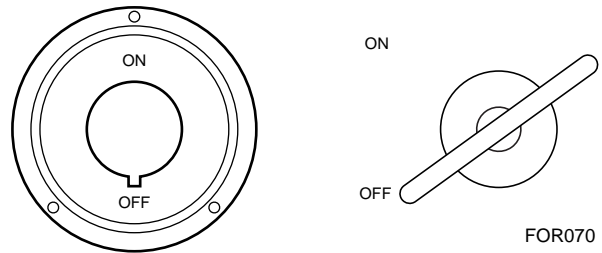


Macerator Control
Figure 4-37

BATTERY ON/OFF SWITCHES

Your Formula boat is equipped with a minimum of two battery ON/OFF switches, one for each engine. In addition, a BATTERY PARALLEL switch is provided to allow the user to parallel the batteries (or banks of batteries) in an emergency situation. In general, the port engine START battery(s) doubles as the auxiliary (12 volt accessories) power source. For location of the battery ON/OFF switches, refer to **Specifications**, in **Section 3**.

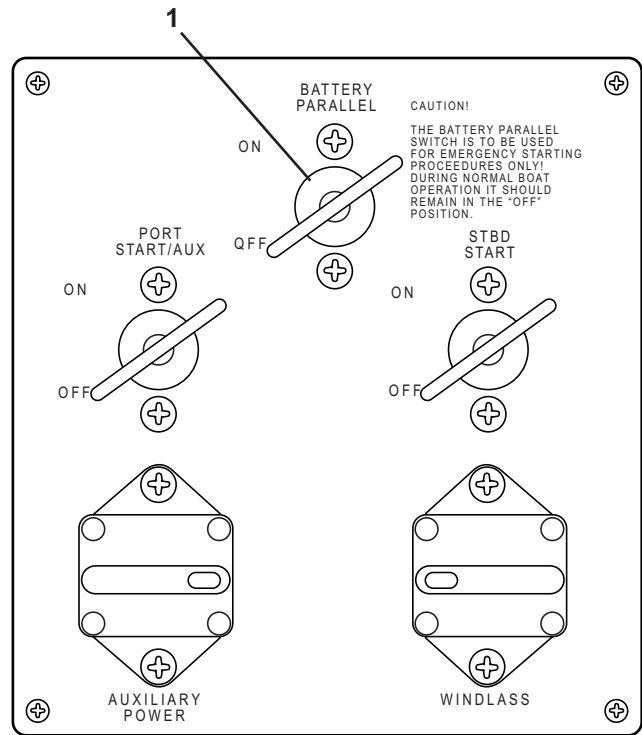
The bilge pump(s), stereo memory, anti-electrolysis system (if equipped) and CO detector are wired direct to the battery through their circuit breakers and will remain energized even if battery switches are turned OFF. All other items will be disabled.



Typical Battery Switches
Figure 4-38

PERFORMANCE CRUISER/SUPER SPORT

Battery Parallel Switch—The battery parallel switch allows you to start either engine off of either battery. The switch should be in the OFF position during normal use. In an emergency when one of the engine batteries is low on cranking power, turn the battery parallel switch ON. This allows the engine with the low battery to start by using power from the other engine's battery. Once both engines are running, turn the battery parallel switch OFF. If you continue to have a low battery problem, please contact your Formula dealer.



FOR039

1. Battery Parallel Switch

Battery Parallel Switch
Figure 4-39



Section 5

System Operation and Equipment

This section describes the basic operational principles of major systems and equipment.

Your Formula boat's powertrain consists of two propulsion units – one port unit and one starboard unit. Depending on the model, the propulsion units can be either stern drives (engine and outdrive) or inboards (engine and transmission).

WARNING

Regularly inspect and maintain all systems to prevent unexpected hazards associated with worn or faulty components. When replacement parts are required, use marine grade parts with equivalent characteristics, including type, strength and material. Using substandard parts could result in injury and product failure.

POWERTRAIN

Your Formula boat's powertrain consists of two propulsion units, one port unit and one starboard unit. Depending on the model, the propulsion units can be either stern drives, engine and outdrive, or inboards, engine and transmission. The engines may be gasoline or diesel fueled.

Your Owner Information Binder includes the operator's manual for your propulsion units. All operation, specifications and maintenance information for your engines is in this manual. Be sure to read, understand and follow the safety, operating and maintenance information.

Your Formula boat has counter-rotating propellers. A right-hand propeller is installed on the starboard drive and a left-hand propeller is on the port drive. Counter-rotating propellers increases your ability to maneuver by the use of differential power.

FUEL SYSTEM

WARNING

Check your fuel system before each operation. Have your fuel system thoroughly checked at least once a year by a certified Formula service technician. Gasoline is highly flammable. Use extreme caution at all times.

The line between the fuel tank and the fuel inlet of the engine is made of a synthetic material. Alcohol can deteriorate it, especially during periods of storage. Have your Formula dealer inspect this fuel line at least annually and replace, if necessary.

The generator uses fuel from either the port or starboard fuel tank, depending on the model. The fuel tank that shares its fuel between an engine and the generator holds additional fuel. Refer to **Specifications**, in **Section 3**, for the fuel tanks capacities.

Refer to your propulsion unit operator's manual for additional fuel system information.

HELM SYSTEM

The helm (steering) system is not self-centering. Be sure to keep a sure grip on the steering wheel at all times.

Your Formula boat has one of the following steering systems:

- Full Hydraulic
- Power Assisted Hydraulic
- Cable to Hydraulic Assist Ram

Refer to **Specifications**, in **Section 3**, for your boat's steering system.

PERFORMANCE CRUISER/SUPER SPORT

Full Hydraulic—Is the steering system found in Formula models outfitted with inboard engines. The hydraulic helm acts as a pump pumping hydraulic fluid to activate the hydraulic steering cylinder connected to the boat's rudders. Turning the steering wheel causes fluid to move into and out of the steering cylinder thus turning the rudders. Full hydraulic is the preferred system for most autopilot systems.

Power Assisted Hydraulic—Is the same as Full Hydraulic with the addition of a power assist pump connected to the transmission on the starboard engine. Power Hydraulic can only be outfitted in those models with a PTO-capable transmission, typically found on larger diesel engines. The power assist pump minimizes the steering wheel effort.

Cable to Hydraulic Assist Ram—A mechanical cable connects the steering wheel to a hydraulic cylinder mounted on the engine. A hydraulic pump is also mounted to the engine. The pump has two hoses running to the hydraulic cylinder giving it power assist. Movement of the hydraulic cylinder controls both drive units.

BILGE AND BLOWER SYSTEM

NOTICE

The Federal Water Pollution Control Act prohibits the discharge of oil or oily waste into the water. Violators can be fined \$5,000.00.

Water will enter the boat under a number of adverse conditions such as heavy seas, strong storms and long periods of rain. The bilge is the deepest part of the hull where the water settles. The bilge pump(s) removes the collected water from the bilge through an opening in the hull. Most bilge pumps are automatically operated by a switch that monitors the level of water in the bilge. The bilge pump system is designed to function automatically when the battery switches are in the OFF position. The bilge pump can also be manually operated by a switch located at the helm, provided the system is supplied with power (the house battery switch is ON).

CAUTION

Do not allow the bilge pump to operate after all the water has been cleared from the bilge area. Damage to the pump will occur if the pump is allowed to operate without water.

Bilge blowers ventilate the engine compartment from fumes. The blowers are controlled by a switch at the helm or from a switch on the generator panel of the AC/DC control panel.



WARNING

Operate the blower for at least four minutes each time you start the engines. In addition, the blower should be operated continuously when at idle and during slow speed operation. Failure to operate the blower can cause an explosion.

DC ELECTRICAL

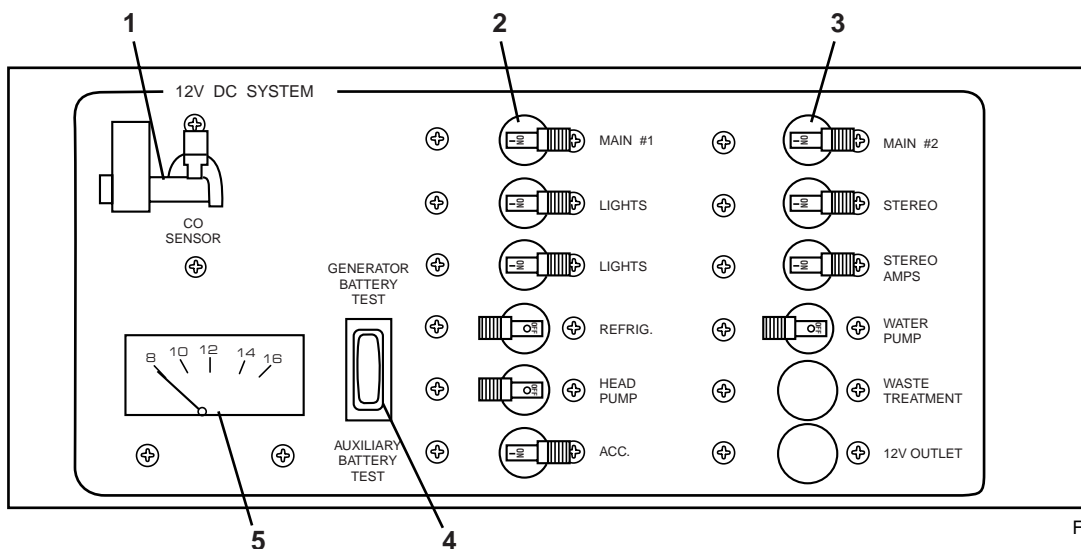
Your Formula boat has a battery powered 12-volt negative ground DC system. The positive wire is hot, and feeds current from the batteries to all 12-volt equipment; the negative wire is the ground and completes the circuit back to the battery.

The DC electrical panel in the cabin supplies electricity from the house battery to a number of accessories, including, but not limited to:

- Lights
- Bilge pump(s)
- Head pump
- Refrigerator
- Stereo
- Fresh water pump

A 100-amp circuit breaker labeled AUXILIARY POWER protects the DC electrical system from the batteries to the DC control panel. Refer to **Specifications**, in **Section 3**, for location of the circuit breaker.

SYSTEM OPERATION AND EQUIPMENT



FOR075

1. CO Detector Circuit Breaker
2. No. 1 Main Circuit Breaker

3. No. 2 Main Circuit Breaker
4. Battery Test Switch

5. Voltmeter

DC Electrical Panel
Figure 5-1

The 12 VDC system consists of a voltmeter, a battery test switch, two main circuit breakers and a series of switch-type circuit breakers, including a dedicated circuit for the CO detector(s). The voltmeter allows you to check the voltage of the house (also port engine start) battery by pressing the battery test switch alternately up and down.

The bilge pump(s), CO detector, anti-electrolysis system and stereo memory will remain energized, even if the battery switches are turned OFF. All other items will be disabled.

The CO detector (sensor) circuit breaker must be in the ON position at all times with the slide lock engaged. Disengage the slide lock and turn OFF the CO detector circuit breaker only during long periods of storage.

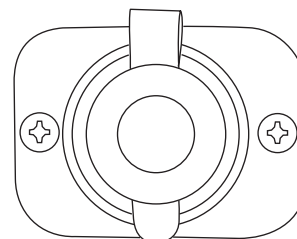
To operate the 12 VDC system:

- Turn ON the port engine/house battery switch.
- Turn ON the DC main circuit breakers.
- Activate the individual component circuit breaker.

CAUTION

The boat's bilge pumps are powered by the DC Electrical System. A boat left moored in the water for extended periods without shorepower to maintain its batteries may find itself without adequate battery power in time of need. Even though one shuts off the battery switches prior to leaving a boat, there are systems aside from bilge pumps that remain connected to the batteries, i.e. electronics memory, Mercathodes, alarms, etc. If the batteries do not have an opportunity to be recharged, these systems will eventually drain the battery. Boats left moored in the water are to be checked regularly (twice weekly) to ensure the batteries are adequately charged.

12-Volt Accessory Power Receptacle—Your Formula is equipped with 12-volt accessory power receptacle(s). The receptacle provides electricity to operate 12 VDC accessory items.



FOR087

12-Volt Accessory Power Receptacle
Figure 5-2

PERFORMANCE CRUISER/SUPER SPORT

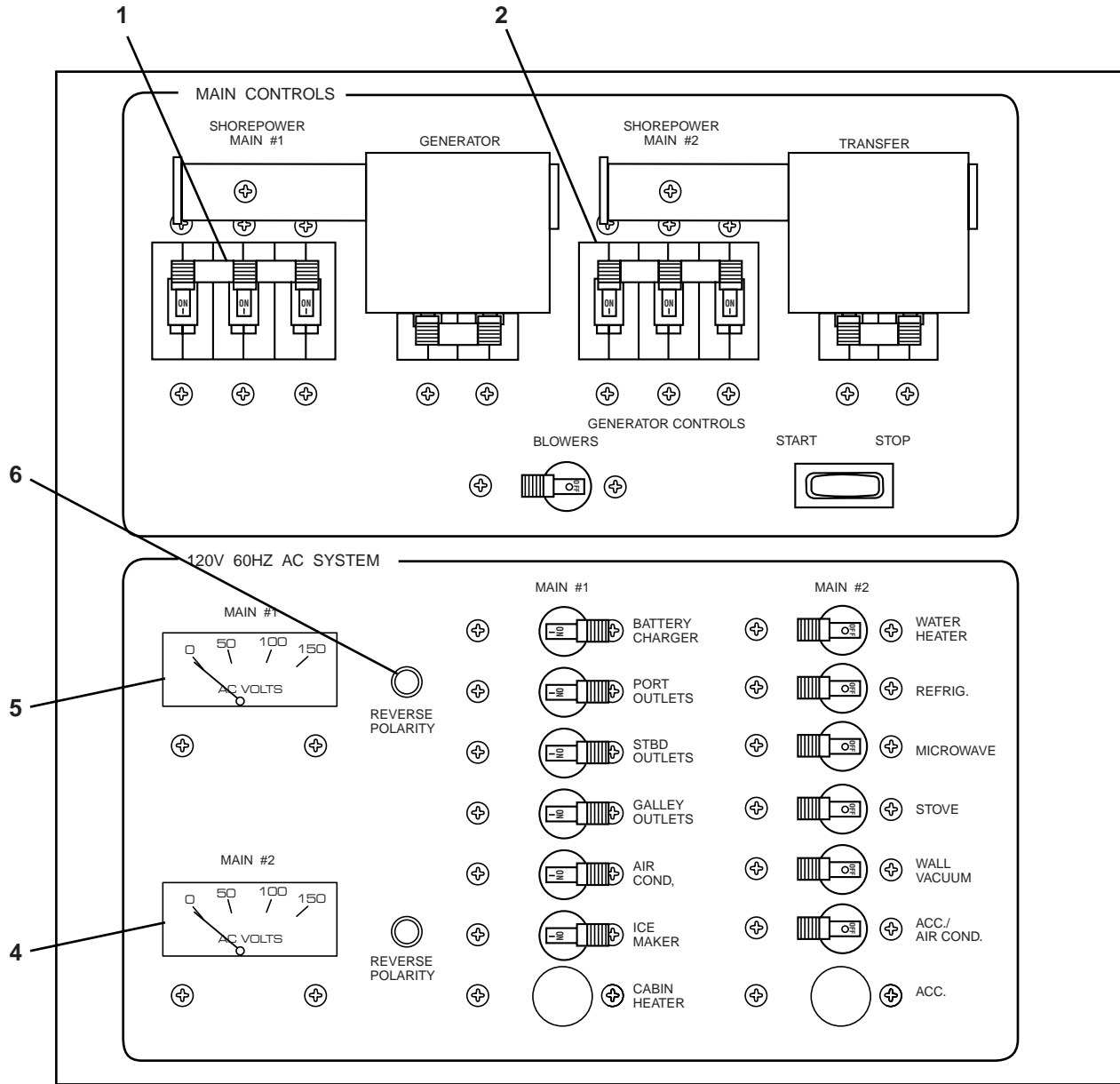
AC ELECTRICAL

CAUTION

Any modification performed on the boat's AC system must be made by a qualified marine technician. The modification must be checked to assure compliance with ABYC guidelines and National Electrical Codes.

The AC portion of the control panel receives AC power from the shore power cable(s) or the generator. The AC panel distributes power through two main circuit breakers which in turn supplies the individual branch circuit breakers. AC electricity typically operates the following equipment:

- Electrical outlets
- Microwave, Stove and Refrigerator
- Battery charger and Hot water heater
- Air conditioning and Vacuum



FOR076

1. Shore Power No. 1 Main Circuit Breaker
2. Shore Power No. 2 Main Circuit Breaker

3. Shore Power No. 2 Reverse Polarity Light
4. Shore Power No. 2 Voltmeter

5. Shore Power No. 1 Voltmeter
6. Shore Power No. 1 Reverse Polarity Light

AC Electrical Panel
Figure 5-3

SYSTEM OPERATION AND EQUIPMENT

The 110 VAC system consists of two shore power inlet breakers, two voltmeters, two main circuit breakers, two reverse polarity lights and a series of switch-type circuit breakers.

The voltmeters monitor the AC voltage. Damage can occur to your equipment if the voltage is less than 105 volts. Do not use AC powered equipment if voltage is less than 105 volts.

Each main circuit breaker controls individual component circuit breakers. This allows you to check for proper voltage and polarity immediately after making the shore power cable connection without damaging any equipment.

The reversed polarity light indicates if the polarity of the shore power has been reversed.

WARNING

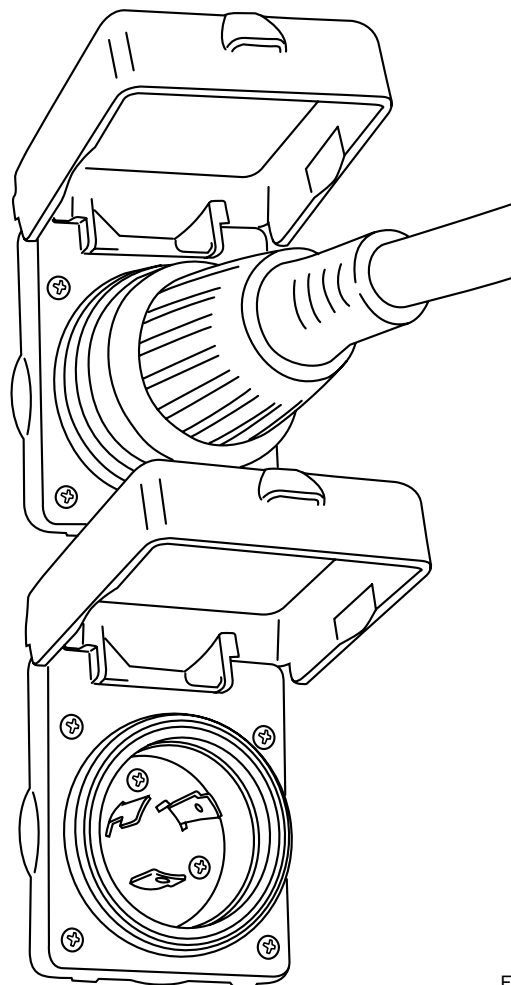
If a reverse polarity light is activated, immediately disconnect the shore power cable.

SHORE POWER

WARNING

To minimize shock and fire hazards:

- Turn the AC main circuit breakers OFF before connecting or disconnecting shore cable.
- Connect the shore power cable at the boat first, then to the dockside connection.
- If reverse polarity light is activated, immediately disconnect shore power cable.
- Disconnect shore power cable at shore outlet first.
- Do not alter shore power cable connections.



FOR080

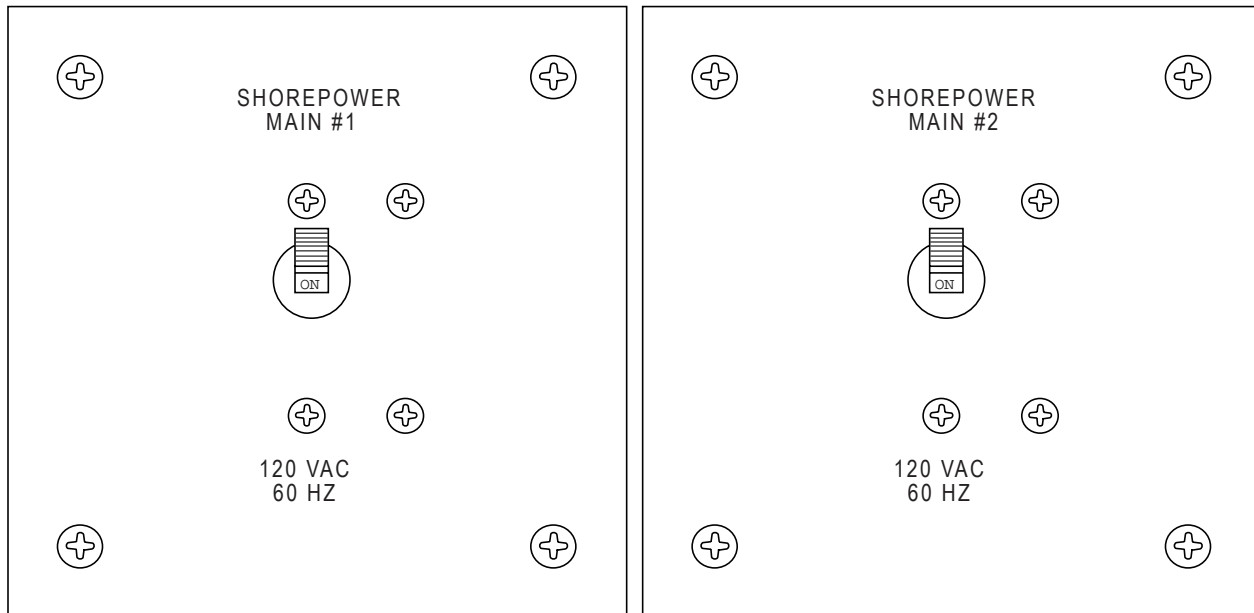
Shore Power Receptacles
Figure 5-4

When both shore power cords are plugged in and the two main circuit breakers are in the ON position, all AC equipment can be operated. Shore power cord 1 supplies power to the left column of breakers. Shore power cord 2 supplies power to the right column of breakers.

NOTICE

Operation of multiple high amperage components, such as air conditioning, microwave, stove, simultaneously may cause MAIN breakers to trip.

PERFORMANCE CRUISER/SUPER SPORT



FOR017

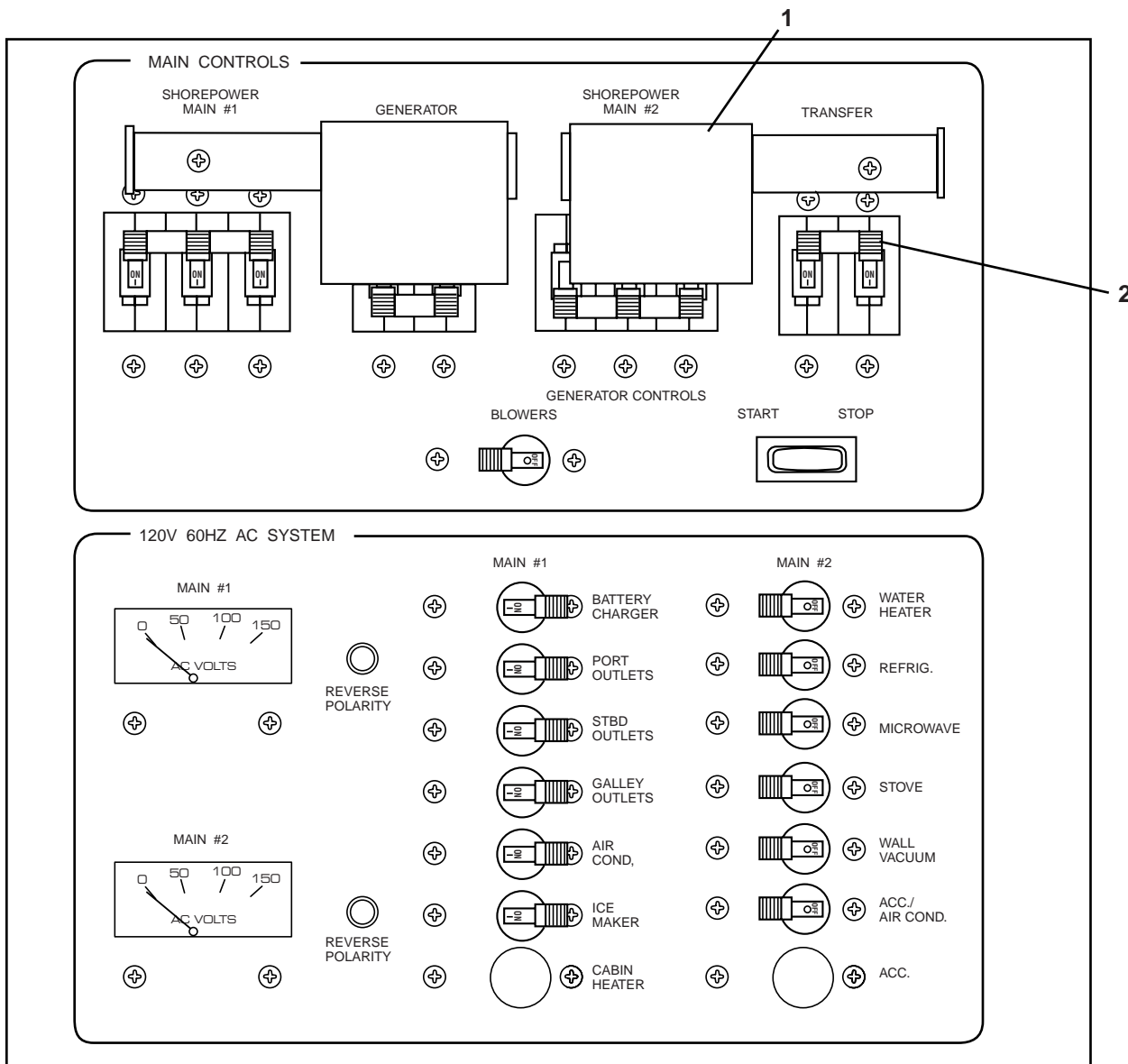
Shore Power Inlet Breakers
Figure 5-5

The two shore power inlet breakers, one for shore power No. 1 circuit and one for shore power No. 2 circuit, protect the AC circuits from the boat's shore power connectors to the AC control panel. Refer to Specifications, in Section 3, for shore power inlet breakers' location.

Using Only Shore 1 Power Cord

Shore 1 cord powers the left column of circuit breakers on the AC control panel. Any of these circuit breakers may be used with only shore 1 plugged in.

SYSTEM OPERATION AND EQUIPMENT



1. Slide Cover
2. Transfer Switch

FOR146A

Using Shore 1 Power Cord Figure 5-6

To operate equipment from the right column of circuit breakers, turn the AC main circuit breaker No. 2 OFF. Move the slide cover from the transfer switch over to cover the No. 2 main circuit breaker. Move the transfer switch up to the ON position. In this configuration, all components can be used with power supplied from Shore 1 cord up to a maximum of 30 amps.

Shore Power Connection

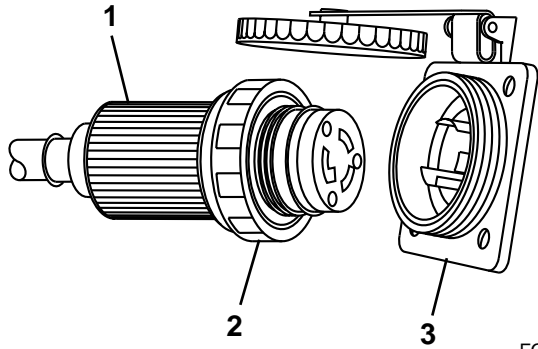
The shore power system requires a special, marine grade three-conductor cable to make a proper connection to the shore. Dockside connections and the boat side connections are plug-in. Boat side connections are also locked in

position with a threaded locking collar to prevent accidental disconnection and enhance water resistance. Refer to **Specifications**, in **Section 3**, for location of your shore power receptacles.

WARNING

Plugs and receptacles for different systems are designed in non-interchangeable configurations. A plug from one system cannot fit into the receptacle of another system. Do not modify a shore power cable. Use only commercially available adapters for system modification.

PERFORMANCE CRUISER/SUPER SPORT



FOR078

1. Shore Power Cord
2. Threaded Locking Collar
3. Boat Receptacle

Shore Power Connection
Figure 5-7

To Connect:

1. Move the slide covers over to cover the generator switch and the transfer switch.
2. Turn OFF the boat's two AC main circuit breakers on the AC control panel.
3. If the outlet on the pier has a disconnect switch, turn the switch OFF.
4. Connect the shore power cable at the boat first.
5. Make sure the cable has more slack than the mooring lines.
6. Remove the cap from the outlet on the pier. Connect the cable to the outlet. Turn ON the shore disconnect switch.
7. Turn ON the Shore Power Inlet breakers.
8. Turn ON the two AC main circuit breakers on the AC control panel. If the reverse polarity warning light(s) is activated, immediately turn OFF the main circuit breaker(s) and disconnect the cable from the shore outlet. Contact your Formula dealer to service the system before you use it.
9. Turn ON the respective branch circuit breakers as needed.

To Disconnect:

1. Turn OFF the boat's two main circuit breakers.
2. If the shore outlet has a disconnect switch, turn it to the OFF position.
3. Disconnect the shore power cord at the shore outlet.
4. Disconnect the cable from the boat and close the cap.

WARNING

Some marinas have been known to "break" shore power ground circuits to prevent electrolysis. Opening the ground circuit creates a potentially dangerous onboard shock hazard. Use caution when using a "break" shore power ground circuit.

For further information regarding your shore power system, please contact your Formula dealer.

GENERATOR

WARNING

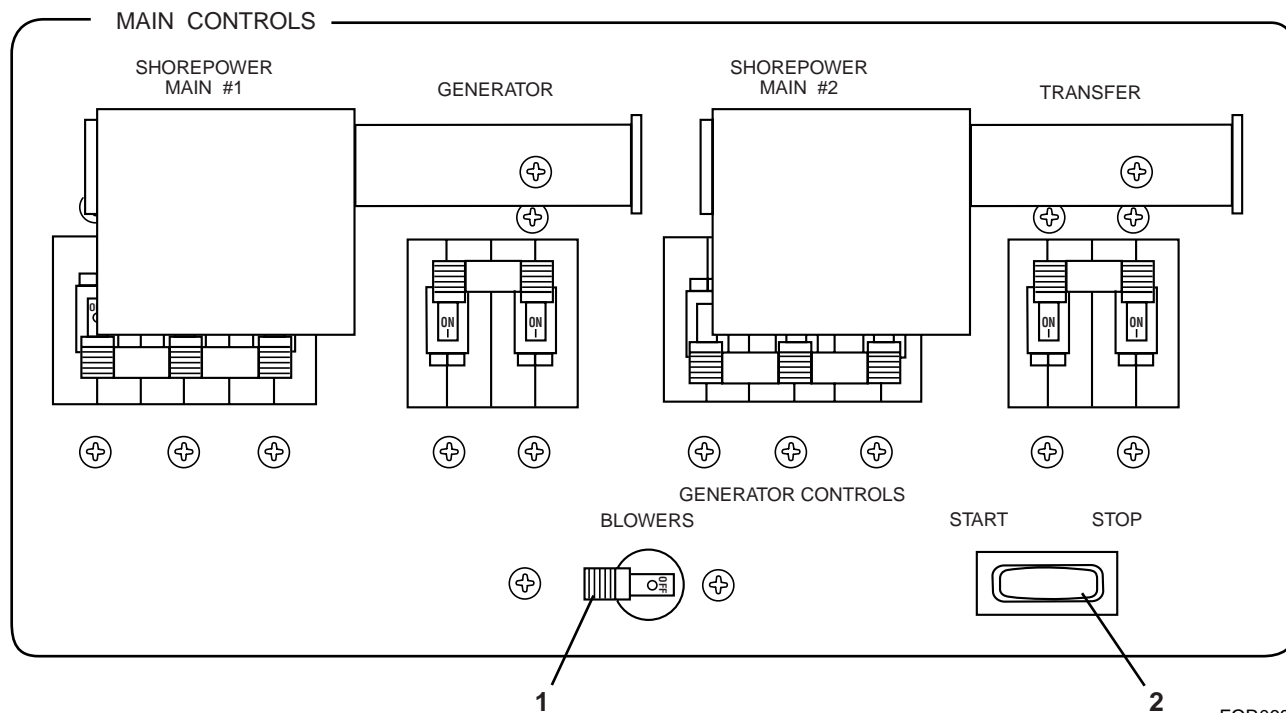
Operate the blower for at least four minutes each time before you start the generator.

CAUTION

A diesel power generator may have a preheat switch used during starting. Do not exceed 30 minutes of preheat time or the manifold heater and plugs can be damaged.

The generator control panel is mounted on the AC/DC control panel. The generator control panel contains the blower switch and the Start/Stop switch.

SYSTEM OPERATION AND EQUIPMENT



FOR068

1. Blower Switch
2. Start/Stop Switch

**Generator Control Panel
Figure 5-8**

The generator is used to provide AC power when shore power is not available.

1. Inspect the generator seawater intake strainer basket for accumulated debris and clean as necessary.
2. Make sure the generator seacock is open.
3. Turn OFF the two AC main circuit breakers.
4. Move the slide covers over both AC main circuit breakers.
5. Turn ON the blower and operate it for at least four minutes.
6. Push the START side of the generator's Start/Stop switch. Allow generator to operate for at least one minute to stabilize voltage.
7. Move the generator switch and the transfer switch to the ON position.
8. Switch the respective branch breakers below it as needed. In this configuration, all components can be used with power supplied by the generator up to a maximum of 30 amps.

9. Do not operate the generator in conjunction with high speed operation of the boat. The resulting reduction in water flow to the generator could damage the unit's water pump impeller.

! DANGER

Carbon monoxide gas (CO) is colorless, odorless and extremely dangerous. All engines and fuel burning appliances produce CO as exhaust. Direct and prolonged exposure to CO will cause BRAIN DAMAGE or DEATH. Signs of exposure to CO include nausea, dizziness and drowsiness.

Stop the generator by pressing the STOP side of the Start/Stop switch. Close the generator's seacock.

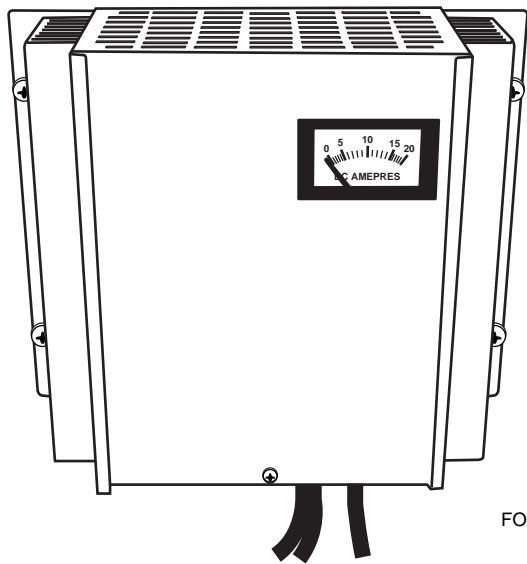
PERFORMANCE CRUISER/SUPER SPORT

BATTERY CHARGER

Your Formula boat is equipped with a battery charger located in the engine compartment. Anytime your boat is connected to shore power or the generator is running and the BATTERY CHARGER switch at the AC control panel is ON, the battery charger will operate and act to keep the batteries fully charged. Please refer to the battery charger operator's manual for additional information.

NOTICE

On models with a factory installed generator, Formula installs a small 6 amp charger dedicated to the generator starting battery. This charger is operational anytime the AC/DC panel is supplied with 110 V power and the BATTERY CHARGER switch is ON.



FOR147

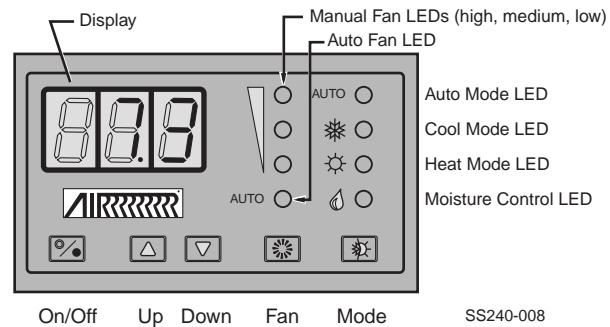
Battery Charger
Figure 5-9

AIR CONDITIONING SYSTEM

Air conditioning systems are available on select Formula models. To operate the air conditioning system:

- Open the air conditioner intake seacock.
- Make sure 110VAC power is supplied to the AIR COND circuit breaker. Turn the AIR COND circuit breaker ON.
- Press the ON/OFF button on the control pad to turn the system ON.

- Use the UP/DOWN arrows to set the desired cabin temperature.
- Check the air conditioner return thru-hull for a solid steady stream of water.
- Check the air supply grille for a steady flow of air



AC Control Pad
Figure 5-10

Periodically inspect the air conditioner intake strainer and filter for signs of debris which may inhibit the cooling abilities of the air conditioning system. For an in-depth description of the operation and maintenance procedures for the air conditioning system specific to your boat, refer to the manufacturer's literature located in the "Systems" section of the Formula Owner Information Binder.

FRESH WATER SYSTEM

! WARNING

Before connecting to any water fitting, dockside or otherwise, make sure the water is potable and suitable for human consumption. A special sanitary drinking water hose is required for potable water connection. Do not use common garden hose for drinking water.

The fresh water system provides potable (drinkable) water to the sinks, showers, hot water heater, ice maker and transom shower. Refer to **Specifications**, in **Section 3**, for the fresh water tank capacity for your model.

The onboard fresh water system is operated by a 12 VDC water pump. To use the vessel's onboard water supply, the 12 VDC system must be activated and the WATER PUMP switch turned ON.

The fresh water level indicator shows the level of the water in the water tank. Refer to **Fresh Water Level Indicator**, in **Section 4**.

SYSTEM OPERATION AND EQUIPMENT

The water pump works on demand. It will not automatically shut off when the fresh water tank is empty. Monitor the level of water in the tank. If the water pump is allowed to run continuously, it may overheat.

Transom Shower—A hot/cold transom shower is located at the stern of the boat. The 12 VDC WATER PUMP circuit breaker switch must be ON for the unit to function.



Transom Shower
Figure 5-11

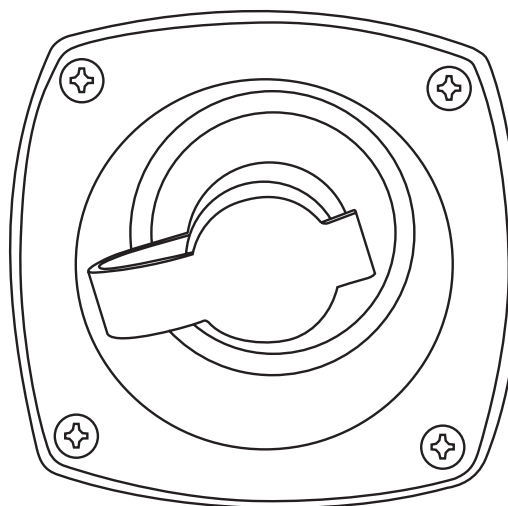
Fresh Water Dockside Hookup

CAUTION

Monitor the fresh water dockside hookup during the initial use. The boat is connected to an unlimited supply of water. Do not leave the boat unattended while using this feature. Any major leak or break in the system will allow continuous water flow into the boat causing severe damage.

The fresh water dockside hookup allows usage of city water while you are docked. Refer to **Specifications**, in **Section 3**, for location.

In some models, this hookup does not replenish the fresh water supply in the tank. Consequently, the tank can only be filled at the fresh water fill plate.



Fresh Water Dockside Hookup
Figure 5-12

To connect to city water:

1. Turn the 12 VDC WATER PUMP circuit breaker OFF.
2. Remove the plug from the boat's water inlet fitting.
3. Attach the proper sanitary drinking water hose to the dockside city water outlet. Turn on the water and flush the hose before connecting it to your boat.

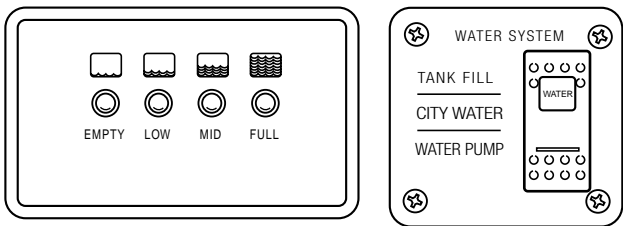
PERFORMANCE CRUISER/SUPER SPORT

Single Point Water Fill Systems

Some large Cruisers and Super Sports use a single point water fill system, which allows the user at the flip of a switch, to manually alternate between the boat's fresh water pump and the dockside hookup. This system also allows the user to fill the fresh water holding tank via the dockside source.

To use the system:

- Attach a water hose between the dockside water supply and the dockside water inlet on the boat.
- Turn the dockside supply ON.
- Turn the selection switch (**Figure 5-13**) to the center position. The water system is now ready to use with the dockside source supplying the pressure.
- Depress the top of the selection switch to fill the onboard fresh water holding tank. A solenoid will open, allowing the dockside source to fill the tank. When the tank is full, the solenoid will automatically close, to prevent overfilling the tank.
- Press the bottom of the selector switch to use the onboard water supply and pump. The solenoid will close and the 12 VDC pump will automatically pressurize the system and deliver water from the onboard tank.

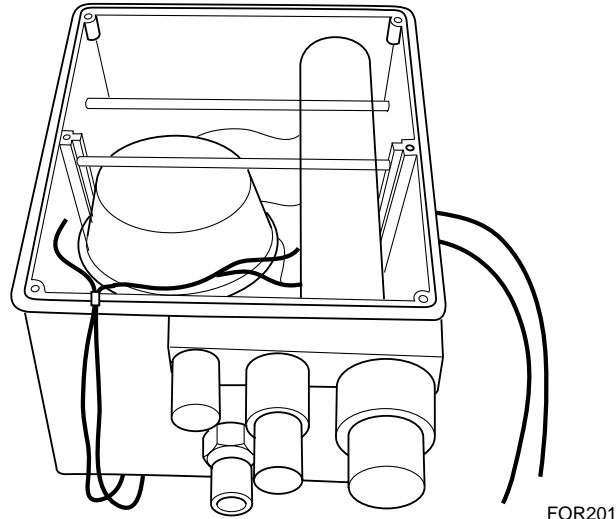


Single Point Water Fill Systems
Figure 5-13

GRAY WATER SYSTEM

The waste water from the sink and shower drains, and air conditioning condensation drain(s), is collected into a sump tank. When the waste water in the tank reaches a predetermined level a float switch turns ON a pump, which discharges the waste water overboard. Periodic cleaning of the sump tank will prevent the buildup of debris that can lead to foul odors, or cause slow drains. Refer to **Specifications**, in **Section 3**, for sump tank locations.

Certain inland waters maintain a no discharge requirement for gray water. Your boat may have come equipped with the Gray Water option. Therefore, all gray water (sinks and shower drains) is plumbed into the boat's waste holding tank. Monitor your waste holding tank level indicator regularly to know when it's time to have the waste holding tank pumped out.



Sump Tank
Figure 5-14

Gray water from the head is also stored in the waste tank. Refer to **Specifications**, in **Section 3**, for waste tank capacity.

CAUTION

Do not flush into a full holding tank. Attempting to flush the head when the tank is full could result in damage to the waste system.

The waste tank level indicator shows the level of the water in the waste tank. Refer to **Waste Water Level Indicator**, in **Section 4**.

To clear the tank of gray water, you will need to use the dockside pump-out services provided at marinas. Hook a suction hose to the pump-out deck fitting marked WASTE and to the dockside pump. The marina will handle the proper disposal of the waste and may charge for this service.

It is strongly recommended that you regularly add chemical to your waste tank by flushing it through the head to control odor and break down the waste. Follow the waste tank manufacturer's recommendations on chemical use.

SYSTEM OPERATION AND EQUIPMENT

WASTE WATER (HEAD) SYSTEM

Your Formula is equipped with one of the two following systems:

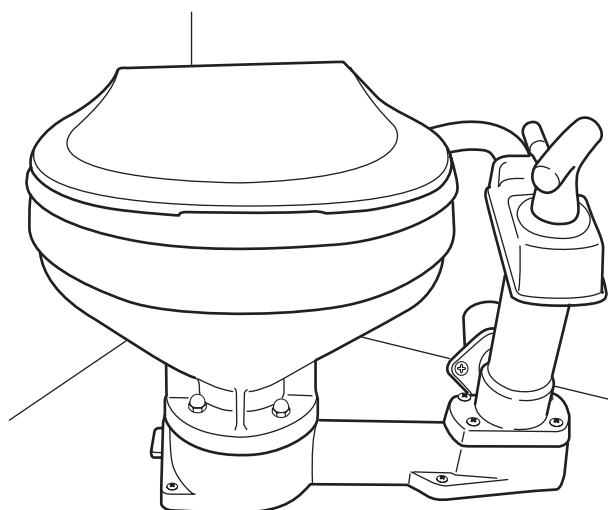
- **Manual Marine Head**
- **VacuFlush Head**

For an in-depth description of the operation and maintenance procedures for the head system specific to your boat, refer to the manufacturer's literature located in the "Systems" section of the Formula Owner Information Binder. The following general information provides the basics of each system's operation.

Manual Marine Head—The manual head unit is a manual flush style head system that does not require 12VDC power. The manual head fresh water seacock must be open in order to add water to the bowl and to flush waste. All waste is contained within the boat's remote waste tank. Waste can be emptied from the head system by having the waste pumped out at a pumping facility.

Monitor your waste tank level indicator to know when your tank has reached its full capacity. Never attempt to overfill the waste tank.

After emptying the waste holding tank, recharge the holding tank with the approved waste treatment chemical as detailed in the head unit owner's manual found in your Formula Owner's Information Binder.



SS240-007

Manual Marine Head
Figure 5-15

VacuFlush Head—The VacuFlush system is active when the 12VDC system is energized and the HEAD PUMP breaker is turned ON. The head pump creates vacuum in the system. When the toilet is flushed, the stored vacuum clears the bowl of waste. The vacuum pump will run for a few minutes after flushing to restore vacuum in the system. The pump will then automatically shut off upon reaching the set vacuum level.

The WATER PUMP breaker on the 12VDC panel must be turned ON (not necessary if the boat is connected to a dockside water supply). This provides the water needed for flushing.

Monitor your waste tank level indicator to know when your tank has reached its full capacity. Never attempt to overfill the waste tank.

Please note: Your head system is equipped with a safety mechanism that shuts down the head pump, not allowing the toilet to flush when the tank FULL level light is illuminated. This safety measure prevents overfilling the waste holding tank.

After emptying the waste holding tank, recharge the holding tank with the approved waste treatment chemical as detailed in the head unit owner's manual found in your Formula Owner's Information Binder.



SS240-003

VacuFlush Head
Figure 5-16

PERFORMANCE CRUISER/SUPER SPORT

Macerator Discharge Pump—The optional macerator system allows the discharging of waste water directly overboard through a thru-hull located in the engine bilge. The macerator system is active when the 12VDC system is energized and the WASTE TREATMENT breaker is turned ON. The macerator seacock must be open in order to discharge waste. Activate the macerator by pressing and holding the macerator switch located in the head compartment until the tank has reached the empty level.

NOTICE

The 27 PC utilizes a Y-valve to direct the flow of waste to either the deck waste plate or through the macerator thru-hull. The macerator seacock must be open and the Y-valve flow directed towards the macerator in order to discharge waste. This process applies only to the 27 PC.

CAUTION

Overboard discharge of waste water should only be used in approved areas. It is your responsibility to comply with local regulations regarding the discharge of waste. You could be fined if your boat has an operable overboard discharge system. Removing the handle of the seacock while in the closed position or disabling the system by other means may be required to avoid a fine.

RAW WATER SYSTEM

Your Formula boat may have as many as two accessory components (generator and air conditioning) - in addition to the engines - with complete raw water systems.

Each raw water system will have its own thru-hull water intake, seacock and strainer. The seacock is very important. It protects the boat from sinking if a hose or fitting should fail. It is important to close any seacock not in use.

Waste water from the generator is routed with the generator's exhaust system. Waste water from the air conditioning unit is directed overboard through a drain port in the hull.

Your engines have their own raw water system for cooling. Refer to the propulsion unit operator's manual for engine cooling information.

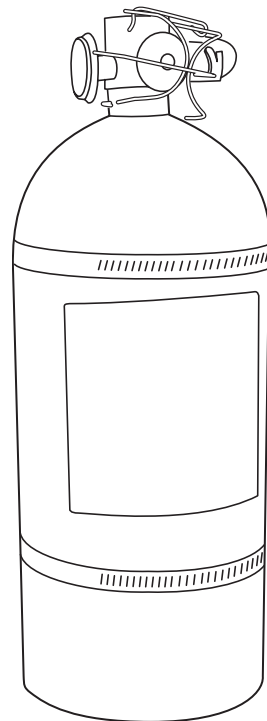
AUTOMATIC FIRE EXTINGUISHER SYSTEM

A fixed automatic fire extinguisher that uses FE-241 (FM-200 for European requirements) as an extinguishing agent is mounted on the engine compartment forward bulkhead. The extinguisher is activated when the heat sensitive head reaches a predetermined temperature. The extinguisher discharges and saturates the engine compartment, smothering the fire.

! WARNING

When the fire extinguisher discharge occurs, turn OFF all engines, bilge blowers and electrical system components. Do not open the engine compartment hatch immediately. This will allow oxygen to the fire and flashback can occur.

Allow the extinguishant to soak for 15 minutes after it discharges. With a portable fire extinguisher in your hand, cautiously inspect for damage. Avoid breathing fire vapors or fumes.



FOR021

Automatic Fire Extinguisher
Figure 5-17

Refer to **Automatic Fire Extinguisher Indicator**, in **Section 4**, for information on the automatic fire extinguisher monitoring indicator.

SYSTEM OPERATION AND EQUIPMENT

EQUIPMENT

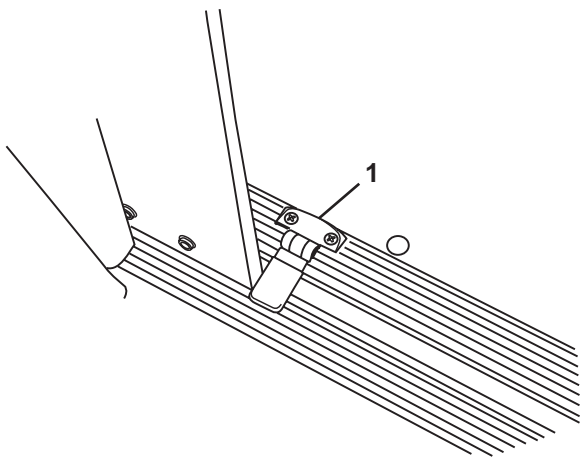
Boarding Ladder—The boarding ladder is mounted on the swim platform at the stern of the boat. In most applications, a fiberglass lid covers the stowed ladder. Lift this lid to access the ladder.



Boarding Ladder
Figure 5-18

FOR031

Cabin Access Door—Whenever practical, secure the door in the open position (see Door Stop, Figure 5-19) before operating boat.

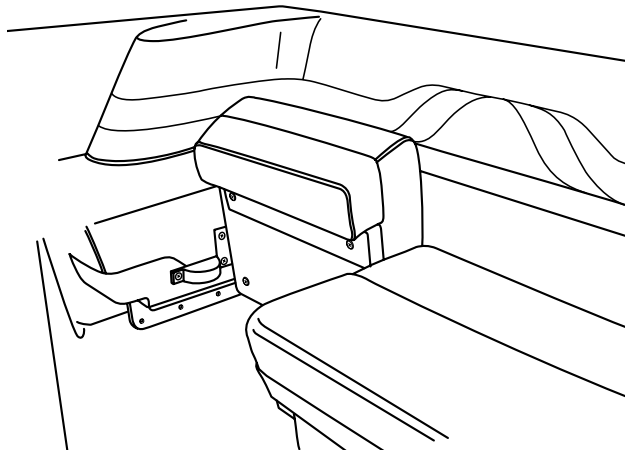


1. Door Stop

Cabin Access Door
Figure 5-19

FOR030

Captain's Chair—Your captain's chair has a flip-up bolster position for greater visibility and maneuverability while docking. You can sit on the raised cushion or stand in front of the cushion. Standing while driving your boat should only be attempted by an experienced driver, and then only while maneuvering at an idle speed.



FOR040

Captain's Chair Bolster
Figure 5-20

To raise the bolster, push aft on the front edge of the cushion, and then pull up. To lower the bolster, pull up on the front edge of the cushion, then push down.

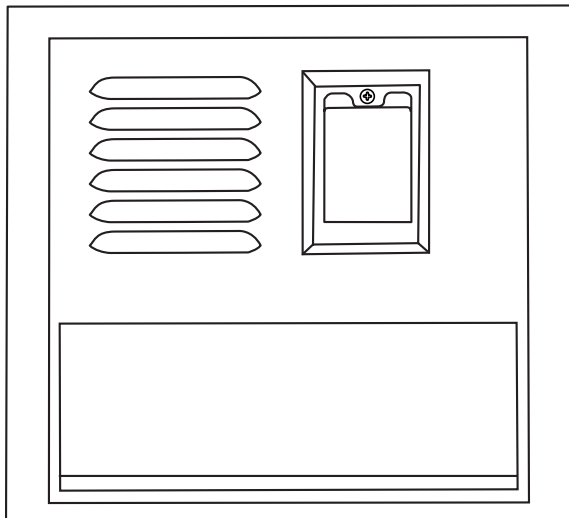
Central Vacuum—To operate this accessory, the AC/DC panel must be supplied with 110V power, and the AC switch labeled WALL VACUUM must be ON. Refer to manufacturer's operating instructions in your Owner Information Binder for additional information pertaining to this accessory.

WARNING

Electrical shock could occur if used on wet surfaces.

- Do not pick up hot ashes or cigarette butts.
- Do not operate the vacuum near flammable gases or liquids.
- Do not pick up water, damp materials or flammable powders.
- Do not operate without a filter bag installed.
- Be sure to disconnect the hose from the inlet before changing the filter bag.

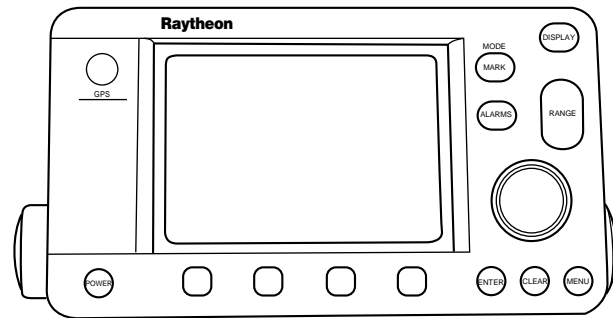
PERFORMANCE CRUISER/SUPER SPORT



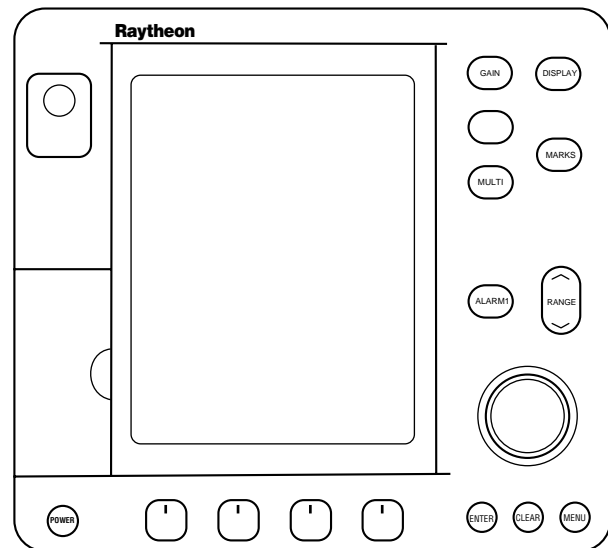
**Central Vacuum
Figure 5-21**

FOR094

Global Positioning Satellite (GPS)—At least two GPS options are available in your Formula boat – a standalone GPS receiver and a combination GPS/Chartplotter. A GPS provides precise information regarding a vessel's location and speed and can also be used to plan and record trip routes. The chartplotter provides additional navigation capabilities, including the use of digitized charts for specific boating areas, which can be purchased in chip format. Refer to the manufacturer's owner manual in the Formula Owner Information Binder for specific information relative to your boat's GPS or GPS/Chartplotter.



FOR208



**GPS Unit
Figure 5-22**

FOR209

SYSTEM OPERATION AND EQUIPMENT

Hot Water Heater— When the engines are operating, hot engine coolant is circulated through a coil in the water heater, heating the fresh water. Refer to **Specifications**, in **Section 3**, for your hot water tank capacity.

The water heater operates on 110V AC power. To operate the water heater, the AC/DC panel must be supplied with 110V power and the AC panel switch labeled WATER HEATER must be ON.

NOTICE

A “passive” means for heating onboard water is accomplished via plumbing between the engines and the water heater. Whenever the engines are operated, water contained within the water heater will be heated by circulating engine coolant. Refer to your Formula Owner Information Binder for specific instructions and information pertaining to this accessory as described in the manufacturer’s literature.

Water heaters unused for more than two weeks may produce hydrogen gas.

To reduce the risk of injury under these conditions, open the hot water faucet for several minutes at the galley sink before you use any electrical appliance connected to the hot water system.

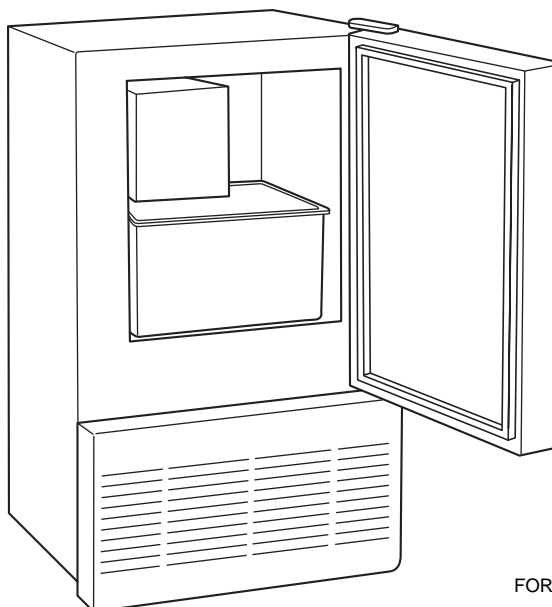


WARNING

Do not smoke or have any flame near an open faucet; hydrogen gas is extremely flammable.

If hydrogen is present, you probably will hear unusual sounds like air escaping through the pipe as water begins to flow. Allow the water to flow until these sounds disappear.

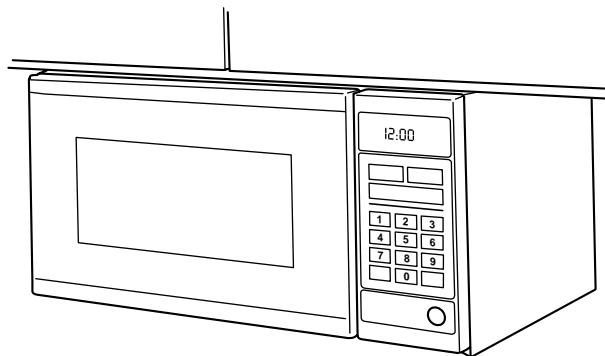
Icemaker—An optional cockpit icemaker is available in some Formula models. The unit operates on 110 V power and receives its water supply from the boat’s fresh water system. To operate the icemaker, supply the AC/DC panel with power, verify the shut-off valve in the plumbing to the icemaker is OPEN and the fresh water system is pressurized (see FRESH WATER SYSTEM, this section). Refer to the manufacturer’s owner manual in the Formula Owner Information Binder for additional information pertaining to this component.



FOR206

Icemaker
Figure 5-23

Microwave/Convection Oven—Your Formula boat may be equipped with a microwave or convection oven. Since both units operate on 110V power, the AC side of the AC/DC panel must be energized and the AC switch labeled MICROWAVE turned ON for the accessory to function. Please refer to the respective owner manual in the Formula Owner Information Binder for information specific to these units.



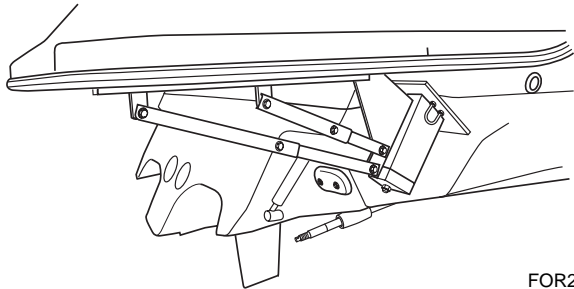
FOR207

Microwave
Figure 5-24

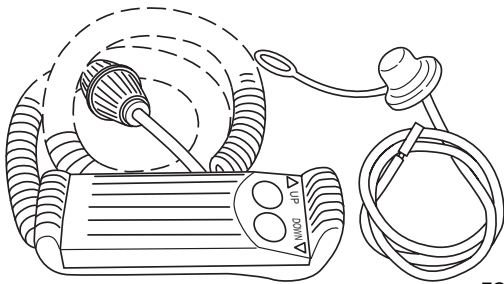
PERFORMANCE CRUISER/SUPER SPORT

PWC Hydraulic Lift

This lift is designed to lift many types of tenders and/or personal watercraft and consists of two telescoping lift assemblies, each with an internal hydraulic cylinder that both pushes and pulls, driving the system down and pulling it up. To operate the lift, turn ON the PORT START/AUX. POWER battery switch to energize the lift system with 12VDC power. Press the appropriate remote control buttons to move the lift up or down. Please refer to the manufacturer's operator manual for specific information relative to this component.



FOR210



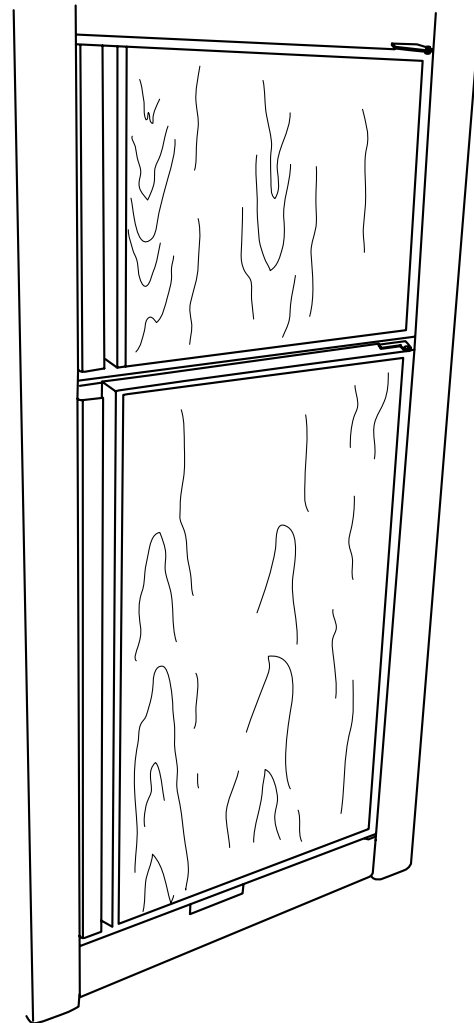
FOR211

PWC Hydraulic Lift and Remote
Figure 5-25

Refrigerator—The dual electric refrigerator can be operated from both the 110 VAC system and the 12VDC system.

- When operating the refrigerator using the 12 VDC system, the REFRIGERATOR circuit breaker on the DC control panel must be ON, and the REFRIGERATOR circuit breaker on the AC control panel must be OFF.
- When operating the refrigerator using the 110 VAC system, the REFRIGERATOR circuit breaker on the AC control panel must be ON, and the REFRIGERATOR circuit breaker on the DC control panel must be OFF.

On some Formula boat's, a freezer is included with the refrigerator. Refer to the refrigerator operator's manual in your Owner Information Binder.

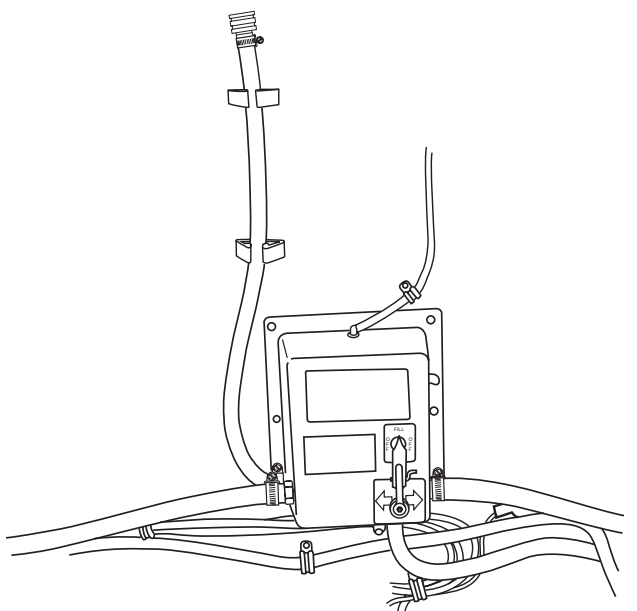


FOR006

Refrigerator/Freezer
Figure 5-26

SYSTEM OPERATION AND EQUIPMENT

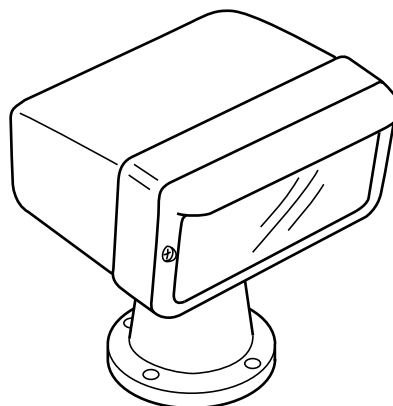
Remote Oil Change System—This 12 VDC system, only available in larger, diesel-powered Cruiser models, is designed to remove crankcase oil from two engines, a generator and two transmissions and to refill each crankcase oil pan and transmission with fresh oil. The system is fully plumbed to allow draining and filling of each engine/transmission simply by flipping two switches on the oil changer. Refer to the manufacturer's operating instructions included in the Formula Owner Information Binder for additional details relating to the proper operation of this system.



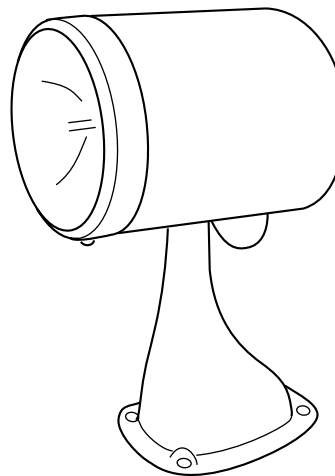
**Remote Oil Change System
Figure 5-27**

FOR090

Search Light—Two types of remote control search lights (see **Figure 5-28**) are available on Formula boats as either standard or optional equipment. Both units operate on 12 VDC power and are fully functional via the helm-mounted control panel. In general, both lights' movements are controllable relative to speed and range of motion. Please refer to the respective manufacturer's owner manual in the Formula Owner Information Binder for more detailed information relative to this accessory.



FOR091

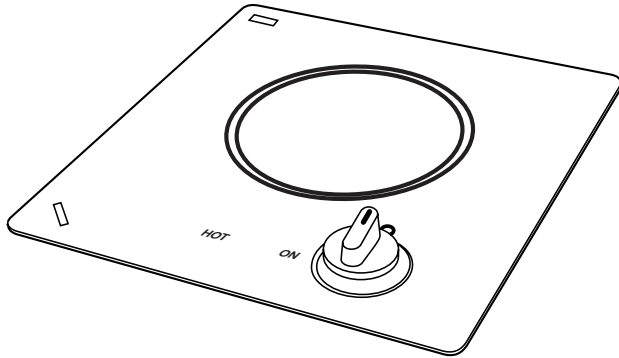


FOR204

**Search Light
Figure 5-28**

PERFORMANCE CRUISER/SUPER SPORT

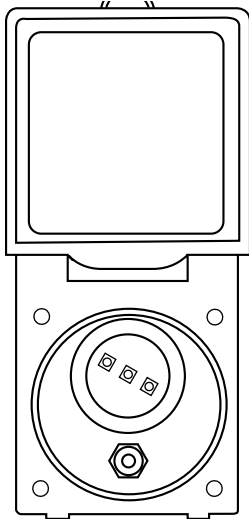
Stove—The cabin-mounted electric stove operates only on 110 VAC. The switch marked STOVE on the AC control panel must be in the ON position to operate the stove. Refer to the stove operator's manual in your Owner Information Binder.



FOR041

Stove
Figure 5-29

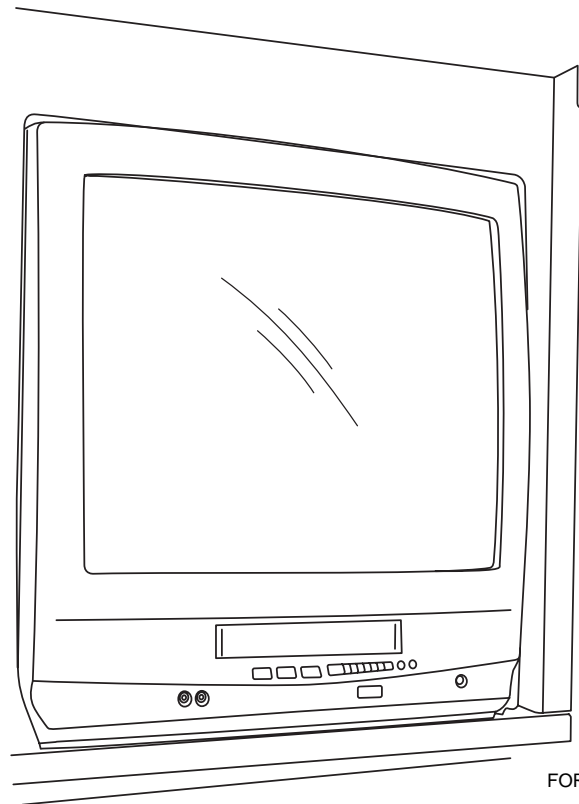
Telephone System—The onboard telephone system includes a waterproof dockside telephone receptacle. The receptacle along with a cord allows you to connect to a dockside telephone service. For location of the dockside telephone receptacle, refer to **Specifications**, in **Section 3**.



FOR205

Dockside Telephone Receptacle
Figure 5-30

TV/VCR/DVD—The television includes a VCR and/or DVD machine. Refer to the manufacturer's operating information in your Owner Information Binder.

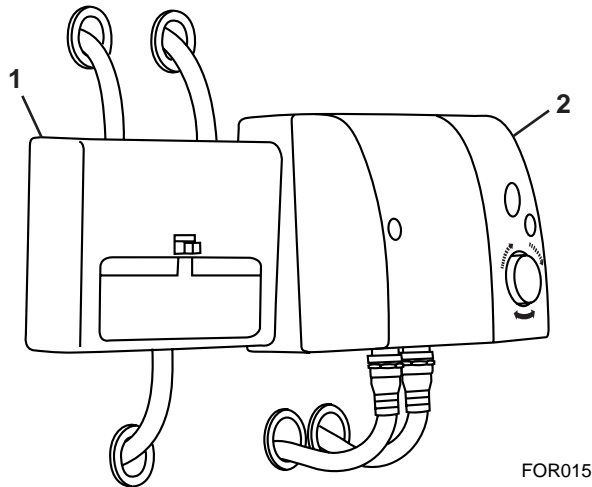


FOR093

TV/VCR
Figure 5-31

SYSTEM OPERATION AND EQUIPMENT

A TV antenna amplifier maximizes the TV signal in your area. Refer to manufacturer's operating information in your Owner Information Binder.



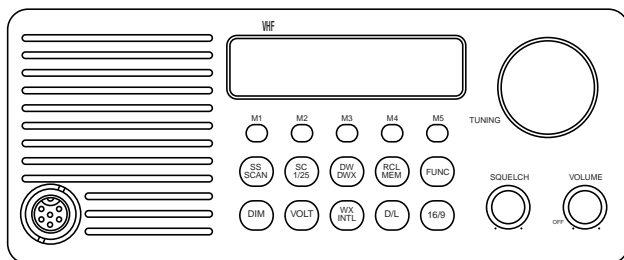
FOR015

1. TV Antenna Amplifier
2. Antenna/Cable TV Switch

TV Switch and Amplifier
Figure 5-32

An antenna/cable TV switch allows you to alternate between local (antenna) and cable television. Refer to **Specifications**, in **Section 3**, for location.

VHF/FM Marine Radio—Provides reliable communications between boats, and between a boat at sea to public and private shore stations. For operating information, refer to the radio owner's manual in your Owner Information Binder.



FOR064

VHF/FM Marine Radio
Figure 5-33w

PERFORMANCE CRUISER/SUPER SPORT



Section 6

Getting Underway

There are many things to consider to make your boating trip safe and enjoyable. You are responsible for the safety of all passengers, the boat and any damage the boat or its wake may cause. Keep passengers from blocking your view so that you do not run into other boats, swimmers, water skiers, personal water vehicles or aids to navigation.

SAFETY CHECKLIST

⚠ WARNING

Do not operate the boat if any problem is found during this inspection. A problem could lead to an accident during the outing causing severe injury or death. Problems found during this inspection should be handled by your Formula dealer.

The following checks are essential to safe boating and must be performed before starting the engines.

- Check the weather report, wind and water conditions.
- Check that required safety equipment is onboard and in proper operating condition.
- Check that fire extinguishers are fully charged.
- Test operation of the carbon monoxide detectors.
- Be sure the boat is not overloaded.
- Check that all maintenance has been performed.

BASIC SAFE BOATING RULES

The General Prudential Rule regarding right-of-way is that if a collision appears unavoidable, neither boat has right-of-way. As prescribed in the “Rules of the Road,” both boats must act to avoid collision.

The information in this section outlines only the most basic of the nautical rules of the road. For more information, contact your local USCG Auxiliary.

⚠ WARNING

The nautical rules of the road must be followed to prevent collisions between vessels. Like traffic laws for automobiles, the operator is legally required to follow the rules.

NOTICE

In general, boats with less maneuverability have right-of-way over more agile craft. You must stay clear of the vessel with right-of-way and pass to his stern.

Signaling other boats with a whistle or horn is similar to using turn signals on an automobile. It is not necessary to sound a signal every time a boat is nearby. In general, boat operators should signal their intention to avoid potentially confusing or hazardous situations.

PERFORMANCE CRUISER/SUPER SPORT

It is customary for the privileged boat to signal first, and the give-way boat to return the same signal to acknowledge she understands and will comply. Use the danger signal (five or more short and rapid blasts) if intent is not clear.

Use the following signal blast early enough to be noticed and understood by other boaters:

- One long blast: Warning signal (coming out of slip or passing astern)
- One short blast: Pass on my port side
- Two short blasts: Pass on my starboard side
- Three short blasts: Engines in reverse
- Five or more short and rapid blasts: Danger signal!

Privileged Boats

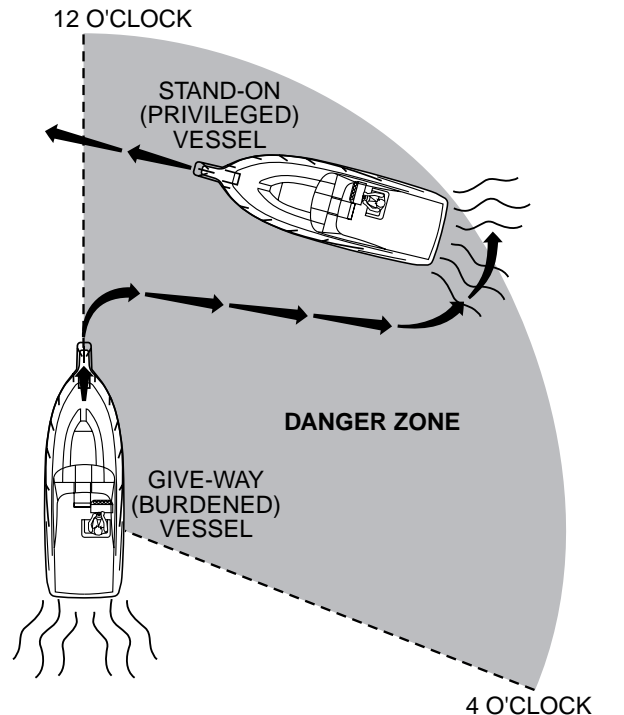
Privileged boats have right-of-way and can hold course and speed. Sailboats and boats paddled or rowed have the right-of-way over motor boats. Sailboats under power are considered motorboats. Small pleasure crafts must yield to large commercial boats in narrow channels.

Burdened Boats

The burdened boat is the boat that must make whatever adjustment to course and speed necessary to keep out of the way of the privileged boat.

Crossing Situation

In crossing situations, the boat to the right from the 12 o'clock to the 4 o'clock position has the right-of-way. It must hold course and speed. The burdened boat keeps clear and passes behind the privileged boat. Boats going up and down a river have the privilege over boats crossing the river.



Crossing
Figure 6-1

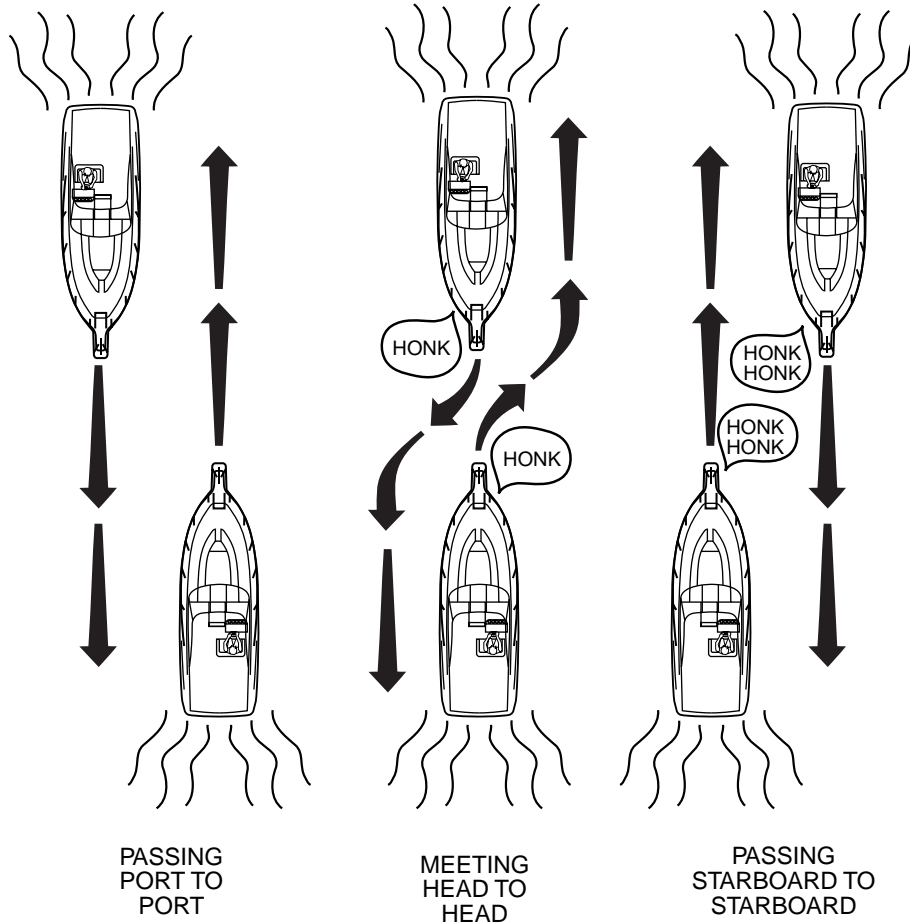
KC-0477

GETTING UNDERWAY

Meeting Head-On

Neither boat has the right-of-way in this situation. Both boats should decrease speed, turn to the right, and pass port-to-port. However, if both boats

are on the left side of the channel, each vessel should sound two short blasts and pass starboard-to-starboard.



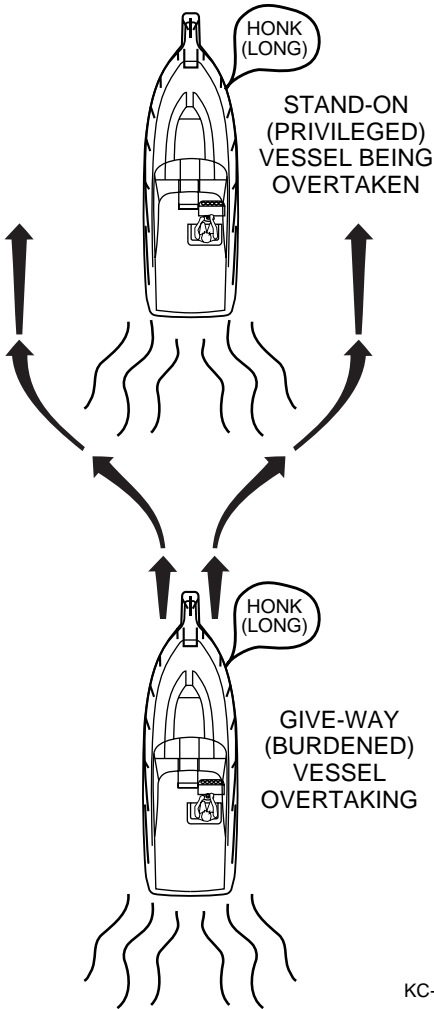
Meeting Head-On
Figure 6-2

KC-0475

PERFORMANCE CRUISER/SUPER SPORT

Overtaking

The boat that is overtaking one ahead of it is the give-way boat and must make any adjustments necessary to keep out of the way of the stand-on boat. The stand-on boat should hold its course and speed.



Overtaking
Figure 6-3

FUELING

⚠ DANGER

Gasoline is extremely flammable and highly explosive under certain conditions. Stop the engines and generator, and do not smoke or allow open flames or sparks within 15 meters (50 feet) of the fueling area.

⚠ WARNING

All precautions must be taken every time you fuel your boat, whether it's gasoline or diesel fuel. Diesel fuel is non-explosive, but it will burn.

CAUTION

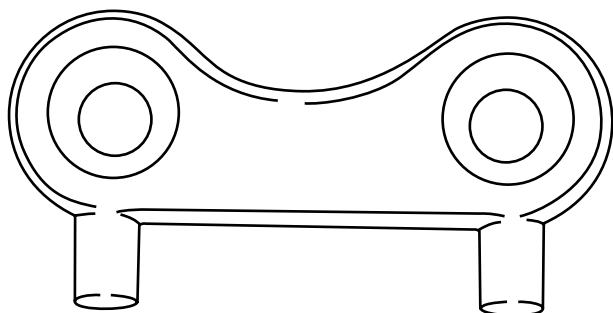
To prevent unwarranted engine damage, refer to your propulsion unit operator's manuals for recommended fuel type and octane rating.

Take care not to spill gasoline. If gasoline is accidentally spilled, wipe up all traces of it with dry rags and immediately dispose of the rags properly ashore. Spilled fuel may yellow the gelcoat finish, damage gunwale trim and discolor Imron.

When fueling:

1. Know your fuel tank capacity. Be sure to have enough fuel to reach your destination. If departing for an extended cruise, know the availability of fuel along your route. Practice the One Third Rule; 1/3 to reach the destination, 1/3 to return and 1/3 in reserve.
2. Avoid fueling at night, except under well-lighted conditions.
3. Moor your boat securely to the dock. Know the location of the fire extinguisher in case of emergency.
4. Keep accurate records of your fuel consumption. A fuel log tracking fuel use over time will help determine average consumption.
5. Close all doors, hatches, windows and other compartments.
6. Extinguish cigarettes, pipes, and all other flame producing items.
7. Make sure all power is off, and do not operate any electrical switches.
8. Remove the fuel fill cap using the deck plate key supplied with your boat.

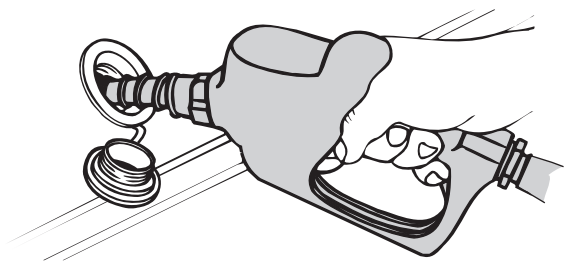
GETTING UNDERWAY



FOR047

Deck Plate Key
Figure 6-4

9. Insert the hose nozzle and make sure nozzle is in contact with or grounded against fill opening. This will reduce the risk of static spark.



KC-0991

Fueling
Figure 6-5

10. Add fuel in accordance with the propulsion unit operator's manual. Do not overfill, and allow enough room for fuel expansion.

NOTICE

- Each time you refuel, inspect all fuel lines, hoses and connections for leaks and deterioration.
- The Federal Water Pollution Control Act prohibits the discharge of oil or oily waste into the water. Violators can be fined \$5,000.00. We urge you to protect our fragile environment by avoiding any type of discharge, trash or litter into our waterways.

After fueling:

1. Tighten the fuel fill cap using the deck plate key. Wipe up any fuel spillage.
2. Open all windows, hatches, doors and compartments.

3. Check all fuel lines, hoses and connections for leaks and deterioration.
4. Be sure to run the blower for at least four minutes before starting the engines. If you smell gasoline fumes, do not start the engines; continue to run the blower until fumes have dissipated.

PRE-OPERATIONAL CHECKS

⚠ WARNING

Do not operate the boat if any problem is found during this inspection. A problem could lead to an accident during the outing causing severe injury or death. Have any problem attended to by your Formula dealer.

Get into the habit of performing these checks in the same order each time so that it becomes routine.

- Make sure to check all safety items listed in **Safety Checklist**, in this section.
- Check that the bilge drain plug(s) is properly installed.
- Check that all batteries are fully charged and have the proper level.
- Verify the amount of fuel in the fuel tanks.
- Be sure the lights, horn, bilge pumps and other electrical equipment are in operating condition.
- Check that no fuel, oil or water is leaking or has leaked into the bilge compartment.
- Check all hoses and connections for leakage and damage.
- Open all seacocks and check for leaks.
- Check seawater strainers for leaks and accumulation of debris.
- Open raw water drain valves.
- Check that steering system operates properly.
- Make sure the shift lever(s) is in the NEUTRAL position.
- Do not overload your boat.
- Operate the bilge blowers for at least four minutes before starting the engines or generator.

PERFORMANCE CRUISER/SUPER SPORT

BOAT TRIM/LOADING

WARNING

All passengers should be carefully seated while the boat is moving. Do not sit on the bow, bow pulpit, deck or gunwale when the boat is moving.

Know the weight capacity of your boat. Do not overload your boat. Overloading of passengers, personal equipment and supplies could result in an accident, especially in rough waters.

The performance of your boat is dependent on load weight and distribution, drive unit trim and trim tab position. Passengers should distribute themselves to maintain trim. Remember to distribute weight from right to left, and also from front to back.

- Avoid excess weight in the bow or stern.
- Securely stow all extra gear in stowage areas to prevent load shifting. Do not stow gear on top of safety equipment; safety equipment must be quickly accessible.
- In adverse weather, reduce the load in the boat. People/load capacity ratings are based upon normal boating conditions.

Overloading of passengers, personal equipment and supplies could result in an accident, especially in rough waters. Maintain a balanced load at all times.

BOARDING

When boarding the boat, always step in. Do not jump. Avoid stepping on smooth fiberglass or other potentially slippery surfaces. Board one person at a time.

Do not board the boat while carrying gear. Set the gear on the dock, board the boat and then pick up the gear.

Do not use the drive units as a boarding ramp, use the boarding ladder. To prevent injury, make sure the engines are OFF when swimmers, drivers and skiers are boarding.



Section 7 Operation

This section describes the basics of starting, running, stopping, steering, trimming and docking your boat. Formula strongly recommends all operators of your boat seek additional training on boat handling and safety. Have all operators become familiar with the handling characteristics and proper steering and control system usage before attempting high-speed operation.

Whenever you are going for an outing, make sure at least one passenger is familiar with the operation and safety aspects of the boat in case of emergency. Show all passengers the location of emergency equipment and explain how to use it. Don't allow passengers to drag their feet or hands in the water, or sit on the bow, bow pulpit, deck, gunwale or transom platform while the engines are running.

STARTING

Your Formula boat may be equipped with a warning system that will sound an alarm if an engine problem develops. The horn may emit a short chirping sound during starting to verify operation. If the warning horn sounds when operating the boat, IMMEDIATELY throttle back to idle speed and shift into NEUTRAL. IMMEDIATELY check the gauges and stop the engines.

CAUTION

Continued operation after the warning alarm has sounded may cause severe engine damage.

⚠ WARNING

Test the carbon monoxide detectors operation before each trip, at least once a week and after the boat has been in storage. Do not tamper with the operation of the carbon monoxide detectors. They are installed for your safety.

Starting Gas Engines

⚠ WARNING

Operate the blower for at least four minutes each time you start the engines. In addition, the blower should be operated continuously when at idle and during slow speed operation. Failure to operate the blower can cause an explosion.

Complete the safety checklist before starting the engines. Please refer to the propulsion unit operator's manual for additional starting procedure information.

⚠ WARNING

- Attach the ignition safety switches' (SuperSport models only) lanyards to the operator before starting the engines. This will prevent the boat from becoming a runaway if the operator is accidentally thrown away from the helm.
- Start the engines with the shift lever(s) in NEUTRAL. Your boat is equipped with a neutral safety switch which will not allow engines to be started unless the shift lever(s) is in the NEUTRAL position.

PERFORMANCE CRUISER/SUPER SPORT

1. Open both engines' raw water seacocks.
2. If equipped, attach the ignition safety switch clips to the switches; connect the hooks to a secure place on the operator.
3. Move shift lever(s) to the NEUTRAL position.
4. Move throttle lever(s) to the IDLE position.
5. Turn the ignition key of one engine to START position. Release the key immediately after the engine starts. If the engines fail to start, refer to the propulsion unit operator's manual for additional information.

CAUTION

Failure to release the ignition key after the engine starts may damage the engine's starter motor.

6. Operate the engine at approximately 1000 RPM. Check the oil pressure gauge. If the oil pressure is not within specified range, stop the engine immediately. Contact your Formula dealer to service the engine.
7. Repeat starting procedure for the second engine. The second engine may be difficult to hear when it starts due to the noise of the first engine. Observe the tachometer of the second engine. When the RPMs increase, release the ignition key immediately.
8. Allow the engines to warm up. Check the water temperature gauges to be sure water temperature remains within the specified range. If the temperature gauge reads abnormally high, stop the engine immediately. Check the drive unit's water inlets for blockage. If the inlets are open, contact your Formula dealer to service the engine.

Starting Diesel Engines

⚠ WARNING

Operate the blower for at least four minutes each time you start the engines. In addition, the blower should be operated continuously when at idle and during slow speed operation. Failure to operate the blower can cause an explosion.

Complete the safety checklist before starting the engines. Please refer to the propulsion unit operator's manual for additional starting procedure information.

⚠ WARNING

- **Attach the ignition safety switches' (SuperSport models only) lanyards to the operator before starting the engines. This will prevent the boat from becoming a runaway if the operator is accidentally thrown away from the helm.**
- **Start the engines with the shift lever(s) in NEUTRAL. Your boat is equipped with a neutral safety switch which will not allow engines to be started unless the shift lever(s) is in the NEUTRAL position.**

1. If equipped, attach the ignition safety switch clips to the switches; connect the hooks to a secure place on the operator.
2. Move shift lever(s) to the NEUTRAL position.
3. Move the throttle lever of the engine to be started to approximately one-half throttle position.
4. Turn the ignition key of one engine to START position. Release the key immediately after the engine starts. If the engines fail to start, refer to the engine operator's manual for additional information.

CAUTION

Failure to release the ignition key after the engine starts may damage the engine's starter motor.

5. Operate the engine at approximately 1400 RPM. Check the oil pressure gauge. If the oil pressure does not rise to specified range in 15 seconds, stop the engine immediately. Contact your Formula dealer to service the engine.
6. Repeat starting procedure for the second engine. The second engine may be difficult to hear when it starts due to the noise of the first engine. Observe the tachometer of the second engine. When the RPMs increase, release the ignition key immediately.
7. Allow the engines to warm up. Check the water temperature gauges to be sure water temperature remains within the specified range. If the temperature gauge reads abnormally high, stop the engine immediately. Check the drive unit's water inlets for blockage. If the inlets are open, contact your Formula dealer to service the engine.

SHIFTING

CAUTION

- Go slowly in REVERSE to avoid taking water in over the transom. You can swamp the boat by taking on too much water.
- Do not shift too quickly from FORWARD to REVERSE. Damage to the engines may result. When shifting from FORWARD to REVERSE, pause in NEUTRAL until the engines are at idle speed and the boat has slowed.

Follow these guidelines when shifting your boat:

- Keep the control area clean and clear of obstructions.
- Pause in NEUTRAL before shifting from FORWARD to REVERSE, or REVERSE to FORWARD.
- Avoid shifting into REVERSE while the boat is traveling forward at speed.

STEERING

⚠ WARNING

The boat's steering system is not self-centering. Propeller torque, trim setting, water condition and boat speed affects the steering. Constant attention to the steering system is required for safe operation.

The steering system must be working correctly and properly maintained. Be sure to:

- Keep mooring lines, tow lines and other obstructions clear of the steering system.
- Keep the steering system's moving parts clean and lubricated.
- Regularly inspect the steering system for kinks, damage and corrosion.

RUNNING

Make sure the transom door remains closed when operating your boat. Observe the tachometers and maintain equal RPMs on both engines.

Exhaust Diverter System (optional on select stern drives)—Some stern drive Formulas have an optional exhaust diverter system which switches the output of the engines' exhaust either to thru-hull exhaust pipes (above water) or down through the propeller hub (below water). The exhaust diverter switch determines the routing of the engine exhaust.

In the ON position, engine exhaust is routed through the hull pipes. This position produces the most engine power, but is not acceptable near shore or on inland lakes and rivers.

In the OFF position, engine exhaust is routed down through the hub of the propeller. This position releases the exhaust underwater providing a quieter engine sound.

Be sure to check local regulations regarding noise restrictions before operating this system.

CAUTION

To avoid damage to the exhaust system, do not switch the exhaust above 3,000 RPM.

STOPPING

Stopping (checking headway) is a technique that must be developed. Reverse thrust of the engines is used to slow and stop the boat. The boat's momentum will vary according to load, speed and water condition. Slow the engine speed to an idle, shift to NEUTRAL and pause, before shifting to REVERSE. Refer to your propulsion unit operator's manual for additional information concerning shifting.

Stopping Gas Engines

⚠ WARNING

Do not use the ignition safety switch and lanyard for normal stopping of the engines. Doing so will impair your ability to restart the engines quickly or may create a hazardous swamping condition.

1. Slowly bring the throttle lever(s) to the IDLE position.
2. Move the shift lever(s) to NEUTRAL.
3. After operating at high speeds, allow a 2-3 minute engine cool-down period at low idle.
4. Turn the ignition keys to the OFF position.

PERFORMANCE CRUISER/SUPER SPORT

NOTICE

If any problems are encountered during the outing, have your boat inspected by your Formula dealer and request any necessary repairs before your next outing.

Stopping Diesel Engines

⚠ WARNING

Do not use the ignition safety switch and lanyard for normal stopping of the engines. Doing so will impair your ability to restart the engines quickly or may create a hazardous swamping condition.

1. Slowly bring the throttle lever(s) to the IDLE position.
2. Move the shift lever(s) to NEUTRAL.
3. Move the throttle lever(s) forward until engine speed is approximately 1400 RPM. Refer to propulsion unit operator's manual for cool down procedure.
4. After cooling the engines, move the throttle lever(s) back to the IDLE position.
5. Turn the ignition keys to the OFF position.
6. Close both engines' raw water seacocks.

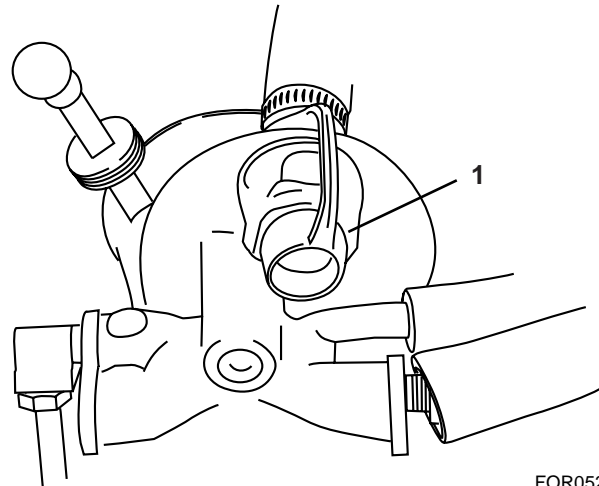
NOTICE

If any problems are encountered during the outing, have your boat inspected by your Formula dealer and request any necessary repairs before your next outing.

ENGINE FLUSHING

If your engines are not equipped with a close-water cooling system, fresh water flush your engines after each use in salty, polluted or brackish water. Flushing your engines will minimize the formation of deposits that can clog cooling passages.

Formula offers a fresh water flushing system on engines that do not have a closed-water cooling system. The optional flushing port is located on the front starboard side of the engine.

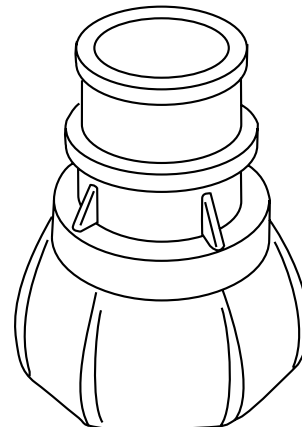


FOR052

1. Fresh Water Flushing Port

Fresh Water Flushing Port Figure 7-1

An adapter is included with your boat to connect a garden hose to the port.



FOR053

**Flushing Adapter
Figure 7-2**

To Flush an Engine:

NOTICE

Your Formula boat must be out of the water and on a trailer or lift when the engine is flushed.

1. Remove the cap from the flushing port.
2. Connect a garden hose to the adapter. Snap the adapter into the port. Do not turn on the water until the engine is started.
3. Start the engine to be flushed. Immediately turn ON the water. Run the engine at idle speed only for 5 to 10 minutes.
4. Turn OFF the engine and the water. Depress the tab on the adapter to remove it. Install the cap on the flushing port.

OPERATING AT HIGH SPEED

WARNING

- **Maneuverability above 50 MPH is limited. Sudden turns may cause loss of control.**
- **Your Formula boat is not designed for wake jumping. When crossing another boat's wake, throttle back to prevent your boat from leaving the water. Wake jumping is very dangerous. It is possible for the boat to re-enter the water on its side, transom or bow. You and your passengers could suffer serious injury. Also, damage to the boat could take place causing a hazardous condition.**

When operating any boat at high speed, exercise a great deal of caution. This is particularly true during turns. Gradual turns can be completed at high speed by a competent driver, but, it must be emphasized that sudden turns at any speed and particularly at high speed can be especially dangerous. It is possible to throw passengers from their seats and even from the boat if caution is not exercised. Remember, common sense is the rule for safe boating.

We recommend you should have ten hours of experience with the boat before any full throttle operation. Do not operate your boat until you are completely experienced with its handling characteristics. The following are some guidelines for performance operation.

- Keep the bottom of the hull clean and free of barnacles and other growth. Growth on the hull can slow the boat down considerably.
- Prepare the boat. Be sure all gear is properly stowed and compartments are latched.
- Weight distribution affects performance. Keep weight in the boat to a minimum and evenly distributed.
- The propellers should be of the proper pitch to turn the recommended RPM rating for the engine with an average boat load. Refer to your propulsion unit operator's manual for additional information.
- Watch the tachometer. Keep the engines within the full throttle operating range. Refer to the propulsion unit operator's manual for full throttle operating range.

WARNING

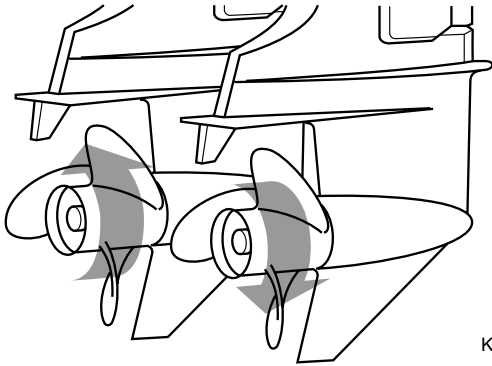
Keep one hand on the steering wheel and the other on the throttle levers at all times. If the boat begins to operate in an unsafe way, pull back on the throttle levers. Trim the drive units IN at the same time. Failure to maintain control could result in severe injury or death.

High-speed operation on smooth water is very stable, but quick reactions and adjustments are needed to maintain control. Know your limits and stay within them. Keep one hand on the steering wheel and the other on the throttle levers; constant adjustments are necessary for rapidly changing conditions. Small inputs of throttle and steering movement are exaggerated at high speeds. Keep watch well ahead so you have enough time to react.

PERFORMANCE CRUISER/SUPER SPORT

PROPELLER EFFECT

The effects of unequal propeller thrust, wind and current must also be kept in mind. While wind and current may not always be present, an experienced boater will use them to his advantage.



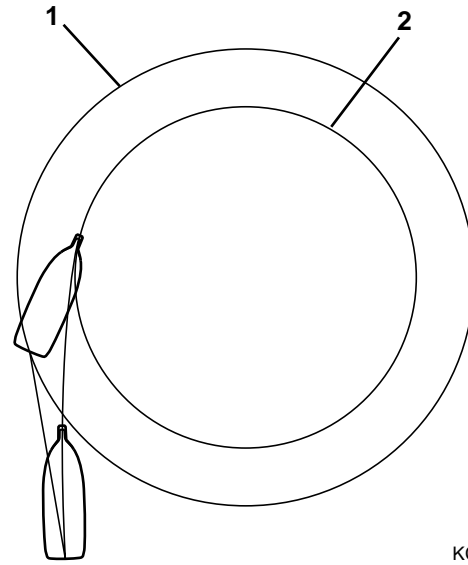
KC-2340

Propeller Effect
Figure 7-3

Twin-engine craft with counter-rotating drive units operate with less propeller torque-induced drifting, as compared to the same craft with like-rotating drives or, for that matter, single-engine boats with one propeller. This helps maintain an even keel, as the torque of the counter-rotating propellers is effectively a “wash.”

MANEUVERING TECHNIQUES

Steering response depends on drive unit position, trim tab position, motion and throttle.



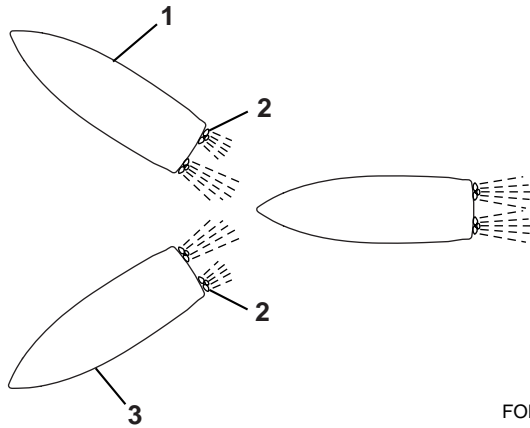
KC-1474.1

1. Stern Circle
2. Bow Circle

Maneuvering
Figure 7-4

Wandering is a characteristic of all deep vee hulls at slow speed. There is no cure for wandering, however, a very basic operational technique can be applied which will minimize this characteristic. If the steering wheel is moved back and forth to compensate for wandering, invariably, the situation will be magnified. If the steering wheel remains in a centered position, the boat will wander back and forth slightly, however, the overall course of the boat will be a straight one.

When operating your Formula boat at low speeds, use propeller thrust to maneuver the boat, do not just turn the drive units. This enables you to maneuver in a smaller area and have more control of the boat. This technique is a combination of propeller direction, engine thrust and steering wheel maneuvers.



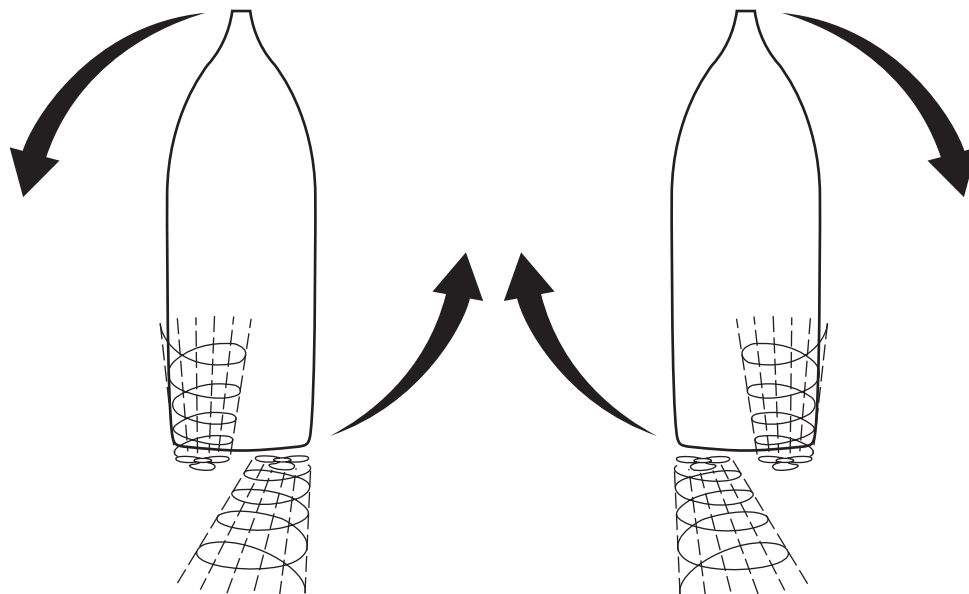
1. Starboard Turn
2. Slower Propeller
3. Port Turn

Slow Speed Maneuvering
Figure 7-5

When making tight maneuvers, it is important to understand the effects of turning. Since both thrust and steering are at the stern of the boat, the stern will push away from the direction of the turn. The bow follows a smaller turning circle than the stern.

To Make Sharp and Close Quarter Turns:

1. Slow engine speed to an idle, shift to NEUTRAL and pause, then shift to REVERSE. This practice will help prevent damage to your drive units.
2. Reverse the direction of the propeller on the side you want to turn. For example, if you want to turn starboard, shift the starboard engine into REVERSE. The forward speed of the port engine, along with the reverse rotation of the starboard propeller, will pivot your boat into a starboard turn.
3. Practice using the shift lever(s) to control the boat. Try maneuvers in open water before attempting them near docks or other boats.
4. Use a quick "burst" of your shifters to control the boat. Keep in mind that once the boat starts to move, momentum will carry through.



Close Quarter Turns
Figure 7-6

KC-1521

PERFORMANCE CRUISER/SUPER SPORT

It is best to learn maneuvering skills in open water away from traffic. Adequate practice is the only way to develop your boating skills.

BOATING AT NIGHT

NOTICE

Operate the boat between sunset and sunrise using your navigational lights. Navigational lights are legally required to indicate direction and right-of-way at night.

Boats operating between sunset and sunrise (hours vary by state) must use navigation lights. Nighttime operation, especially during bad weather or fog, can be dangerous. All Rules of the Road apply at night; it is best to slow down and stay clear of all boats, regardless of who has right-of-way.

Protect your night vision by avoiding bright lights. Have a passenger, if possible, help keep watch for other boats, water hazards, and aids to navigation.

The size, speed, and direction of the other vessels are determined at night from the running lights. A green light indicates the starboard side of the boat, and a red light indicates the port side. Generally, if you see a green light, you have the right-of-way; if you see a red light, give-way to that vessel.

Navigational Lights

You must use your navigational lights (running lights) when operating your Formula boat between sunset and sunrise, and when day time visibility is limited. Also, check with the local authorities before operating your boat for other requirements concerning the use of navigational lights.

The navigational lights are identified by a red light on the port side of the vessel, and a green light on the starboard side.

Anchor Light

All boats at anchor must display a proper white anchor light. The anchor light (all around light) is the white light located on top of the radar tower. The anchor light must be visible 360 degrees and remain on anytime the boat is moored.

Docking lights are to be used for docking only. It is illegal to use your docking lights while cruising.

SPECIAL OPERATING CONDITIONS

Using your boat in different environments requires special operating considerations.

Salt Water

During long periods of mooring, if possible, tilt the propulsion units drives out of the water—except in freezing temperatures.

Fresh water flushing of the engines is recommended after operating in salt, polluted or brackish water. On “non-closed” water cooling engines, Formula may provide a fresh water flushing port. Refer to Engine Flushing, in this section, for additional flushing information.

Refer to the propulsion unit operator’s manual for that manufacturer’s salt water operating recommendations.

Freezing Temperatures

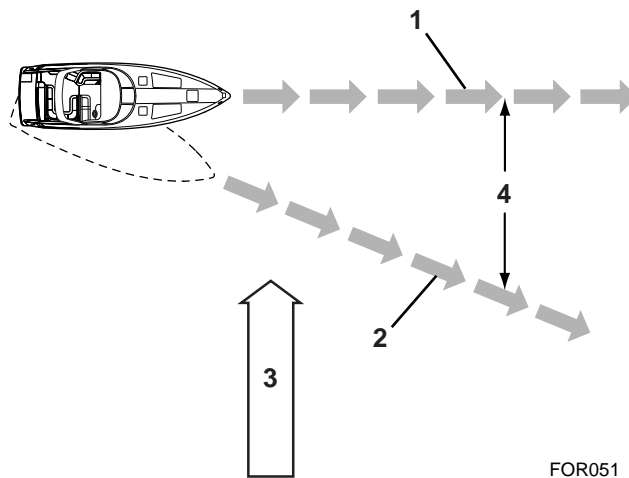
When boating in temperatures below freezing, keep the propulsion unit’s drives tilted down (submerged) at all times. This will prevent damage from freezing.

Upon removing your Formula boat from the water, leave the drive units in the vertical position until the cooling system has drained. Refer to your propulsion unit operator’s manual for additional information.

Use caution when handling clear vinyl canvas in low temperatures to prevent damage from cracking.

HOLDING POSITION

Wind and/or current will affect the boat’s speed, course and time to reach your destination. When traveling to your destination, wind and/or current will cause the boat to deviate from the intended course. The amount of difference between the intended course and the course the boat must travel to reach your destination is called leeway. The wind or current pushes sideways on the boat causing it to travel at an angle to the intended course. The speed of the boat determines the amount of leeway between the intended course and the traveled course.



FOR051

1. Intended Course
2. Traveled Course
3. Wind/Current
4. Leeway

Effects of Wind/Current
Figure 7-7

TRIMMING-DRIVE UNITS AND TRIM TABS

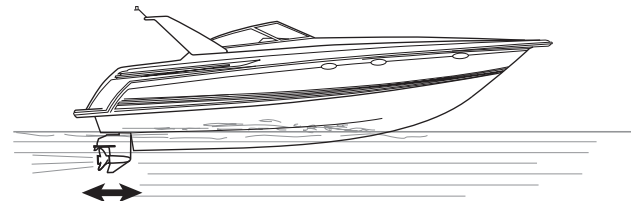
Boat trim while on plane is influenced by load distribution, drive unit trim and trim tab trim.

Determining the best boat trim while underway takes time. It is best to experiment with different drive and tab trim combinations while taking note of the condition.

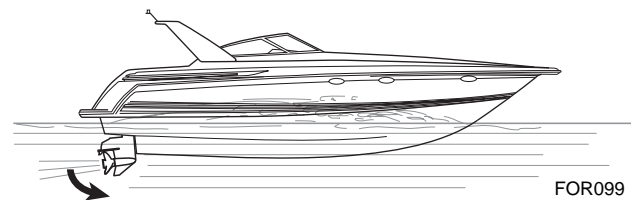
Drive Unit

Trim angle is the angular relationship between the drive unit and the transom of the boat. Boat trim while underway greatly affects the performance and efficiency of your boat. For best results, the boat should be on plane and trimmed to reduce the amount of the boat's hull in the water (known as wetted surface). With less boat in the water, both speed and fuel economy increase. Continuous trim adjustment is required when operating your boat to maintain maximum performance and efficiency.

If the drive units are trimmed in too far (closer to the boat bottom), speed drops, fuel economy decreases and the boat may not handle correctly. However, it does provide better acceleration from a stand still; and because it forces the bow down, visibility is improved. If the drive units are trimmed out too far (away from the boat bottom), steering torque may increase, the boat may be difficult to get on plane, and may bounce.

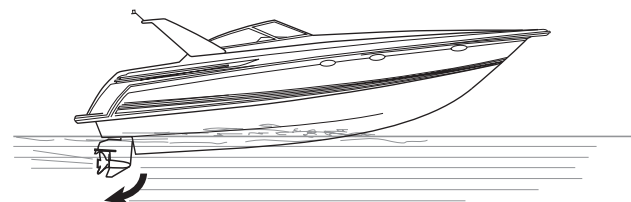


MODERATE TRIM OUT



FULL IN

FOR099



EXTREME TRIM OUT

FOR049

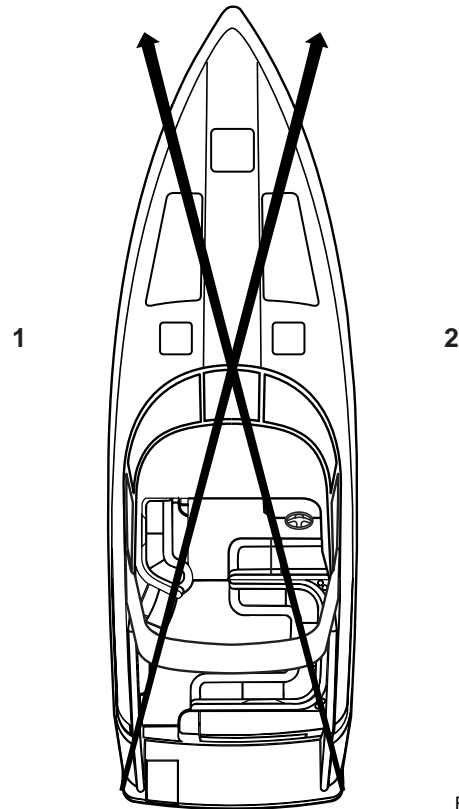
Drive Angle Trim
Figure 7-8

To use power trim effectively, start with the drive units trimmed in. As the boat planes, increase the angle out. Experience is the best teacher for understanding proper drive trim.

PERFORMANCE CRUISER/SUPER SPORT

Trim Tabs

The trim tabs are a separate system in themselves and are not to be used in lieu of the drive unit power trim system. Water is deflected and redirected as the trim tabs are raised and lowered. This change in the water flow creates upward pressure under the tabs and raises the stern. When the stern raises, the bow is lowered. Likewise, lowering the port tab will cause the port stern to raise, making the starboard bow lower.



FOR100

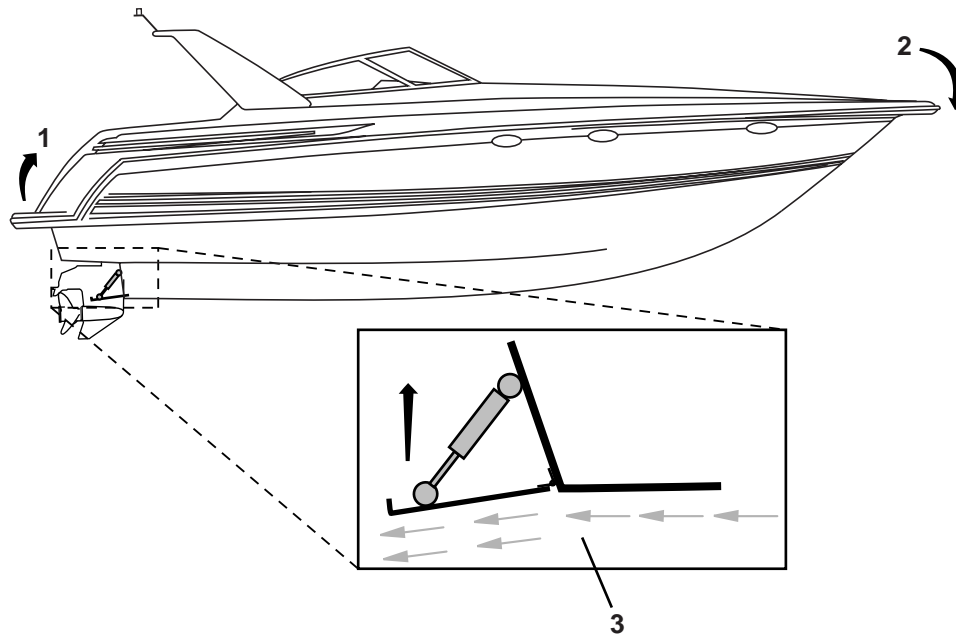
1. Port Trim Tab Lowered
 - Port Stern Rises
 - Starboard Bow Lowers
2. Starboard Trim Tab Lowered
 - Starboard Stern Rises
 - Port Bow Lowers

Trim Tabs
Figure 7-9

OPERATION

Using trim tabs in conjunction with the drive trim will compensate for uneven weight distribution, listing, water conditions and other factors that

cause inefficient operation. Remember that trim tabs are trimming the hull while the power trim is trimming the drive unit.



1. Stern Rises
2. Bow Lowers
3. Water Is Redirected Creating Upward Force At Stern

Trim Tab Operation
Figure 7-10

FOR101

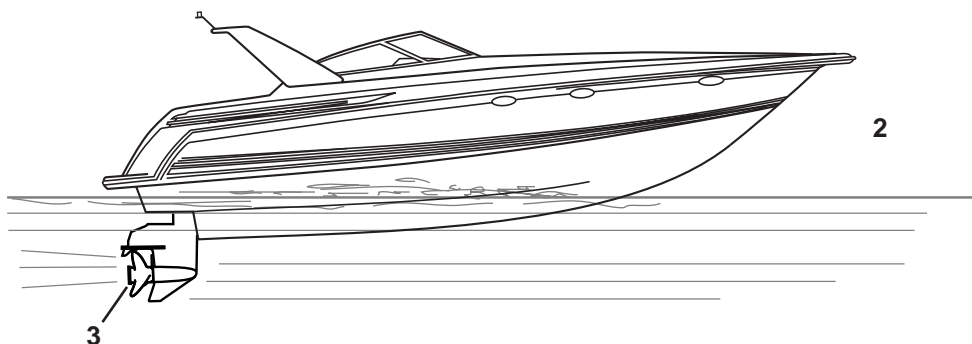
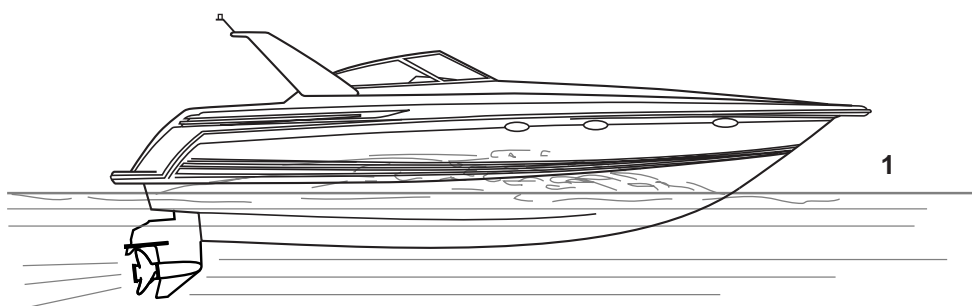
PERFORMANCE CRUISER/SUPER SPORT

To adjust boat trim while underway:

1. Before accelerating, make sure both trim tabs are fully raised.
2. Adjust the trim tabs to achieve a planing attitude.
3. Use the drive trim to position the propeller path parallel to the water flow.
4. Readjust the trim tabs to fine tune attitude. Operate only one tab at a time and in small increments. As the tab takes effect, you will notice it causes the boat to veer off course slightly. Correct for this as it happens.

5. To prevent the boat from listing, do not have one tab further down than the other tab.

⚠ WARNING
Improper use of the trim tabs at high speeds can cause an accident or injury.



1. Untrimmed
2. Planing Attitude
3. Propeller Parallel To Water Flow

FOR102

**Trim Tabs/Power Trim Operation
Figure 7-11**

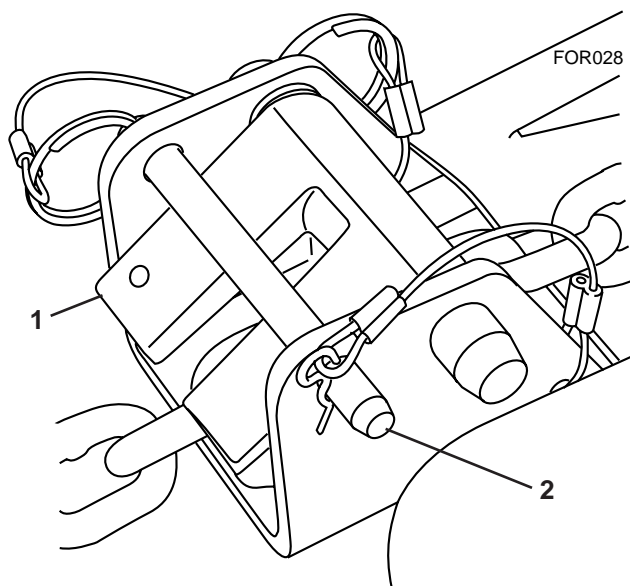
ANCHORING AND SEA ANCHORS

⚠ WARNING

Anchor from the bow, not from the stern. A strong current can pull a boat, anchored by the stern, underwater and keep it there.

Windlass

The windlass can be operated at the driver's helm or from the foredeck. The windlass system can also be operated manually. A manual hand crank is located in the anchor locker.



1. Chain Stop
2. Lock Pin

Windlass Lock Pin Installed
Figure 7-12

The chain stop (**Figure 7-1**) is used to immobilize the anchor in the stowed position and a lock pin (**Figure 7-2**) secures the chain stop. The lock pin must be installed at all times when the windlass is not in use. Refer to the operator's manual supplied with the windlass system for proper operation of the windlass in the electric and manual modes.

⚠ WARNING

The lock pin must be installed in the anchor bracket when the windlass is not in use. Do not operate your boat without the lock pin installed.

A 100-amp circuit breaker protects the Windlass electrical circuit. Refer to **Specifications**, in **Section 3**, for location of the circuit breaker.

Use caution when anchoring. Look for signs of underwater pipes or cables. With the engines off, you have no control of the boat. Water and wind conditions will affect an anchored boat. Be sure the anchor will hold before leaving the boat.

⚠ WARNING

- Keep hands, feet, loose clothing and hair well clear of the winch and chain during operation.
- Be sure you have a clear view of the winch when operating it.
- Run the boat's engines while raising or lowering the anchor. Not only is this a safety precaution, it also prevents draining of the batteries.
- Do not use the winch as a bollard. When anchored, secure the anchor line directly to a bollard or deck cleat.
- Secure the anchor with a rope or fastener pin when operating the boat at high speed or in heavy weather.
- Turn the windlass power switch OFF when the winch is not in use and before leaving the boat.

Lowering—Bring the boat to a stop with the bow facing into the wind or current. Lower the anchor. Press the toggle switch down to pay out sufficient chain to set the anchor.

Setting—When the anchor hits bottom, slowly back up the boat, keeping tension on the chain. The anchor line should be five to seven times the depth of the water.

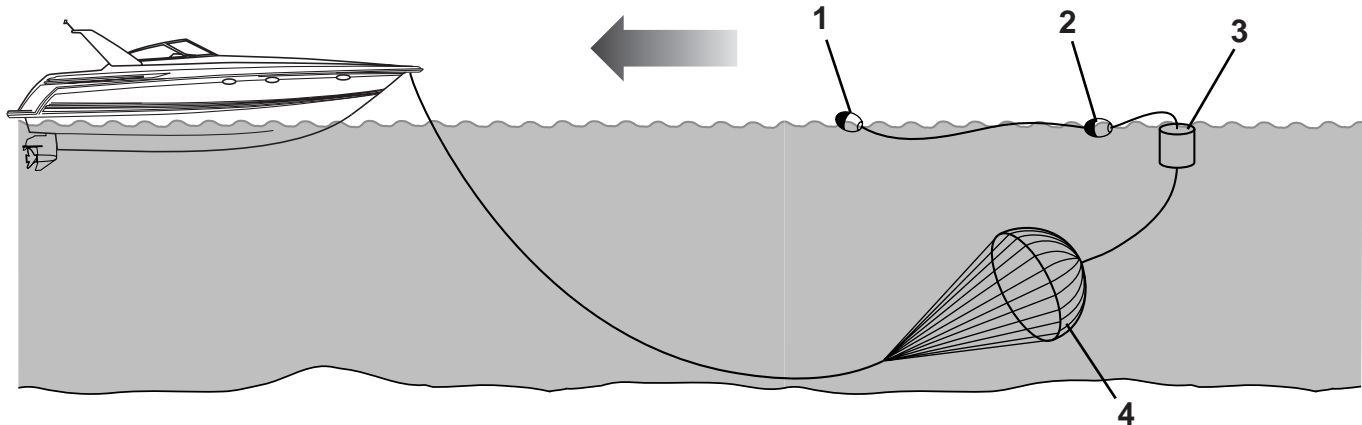
Weighing—To weigh (retrieve) the anchor, start the engines and slowly move forward. Press the windlass switch up while taking in anchor line as you go. Carefully retrieve the last 36 inches of chain, then seat the anchor in the bow fitting.

PERFORMANCE CRUISER/SUPER SPORT

Sea Anchor

A sea anchor is used to hold the boat's bow into the wind and waves in heavy seas when the boat has lost its power. This will reduce the drifting of the boat.

A sea anchor has a general shape of a parachute. A sea anchor construction can be like a parachute canopy or a lattice web design. A rope attaches the sea anchor to the boat. Floats with trip lines allow the sea anchor to be pulled back into the boat.



FOR103

1. Recovery Float
2. Float

3. Stowage bag
4. Sea Anchor

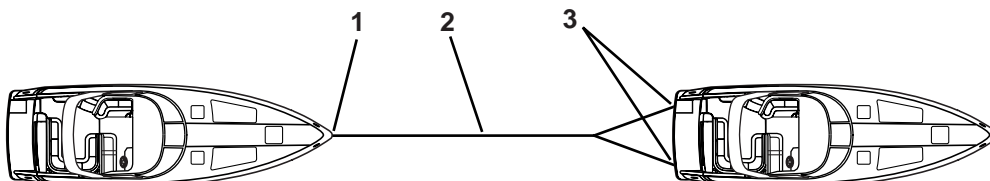
Sea Anchor
Figure 7-13

TOWING AND BEING TOWED

If seas are rough, it may not be easy to extend the tow line from one boat to another. In these cases, use a light throwing line with a weight on one end and with the heavier towing line secured to it.

Attach the tow line to the bow eye on the disabled boat. Attach the opposite end of the bridle only to the stern eyes of the tow boat. Wrap the bridle with chafing gear where it rubs against the boat. Leave at least two boat lengths between the boats for adequate movement.

Do not attempt to tow a much larger or grounded vessel. Because of the tremendous stress caused by towing, use a tow line that is rated at least four times the gross weight of the boat being towed. Tow ropes must be in good condition, free of any cuts or abrasions.



FOR110

1. Bow Eye
2. Tow Line
3. Stern Eyes

Towing
Figure 7-14

WARNING

When towing, use only the bow and stern eyes; do not use cleats, handrails, etc. Do not allow anyone to be in line with the tow rope. If the rope should break or pull free, a dangerous recoil could occur resulting in severe injury or death to anyone in its path.

Adjust the tow line to match wave action. Keep the boats on the crest or in the trough of the waves at the same time. In protected, calm waters, shorten the line for better handling. Tow at moderate speed, allowing for adverse wind and wave conditions. Have the operator of the towed boat steer with you, if possible.

If you need a tow, or wish to tow another boat, use great care. The boat structure can be damaged by excessive pulling strain. You should offer help to a boat in trouble. However, towing a capsized, grounded or hull damaged boat is dangerous. Give assistance to the occupants; then call the proper authorities.

HEAVY WEATHER

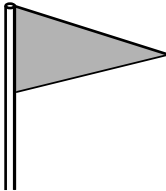
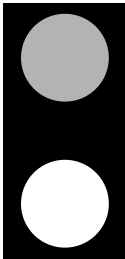
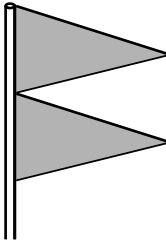
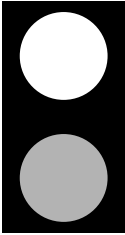
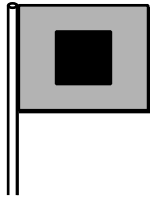
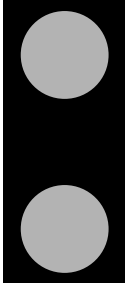
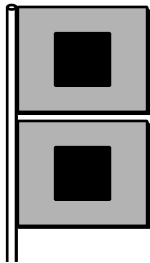
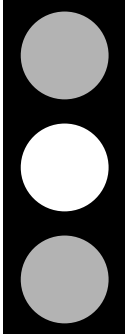
Getting caught in severe weather is hazardous. Check with local weather stations, the USCG, or Weather Service Broadcasts for the latest conditions. It is recommended to check the weather, sea and wind conditions not only before you leave, but, periodically while you are boating.

A change in wave height, wind direction and speed indicates deteriorating weather. Take common sense precautions if you are forced to operate your boat in stormy conditions:

- Wear PFDs.
- Stow gear below deck and batten down equipment on deck.
- Reduce speed and head for a safe place that you can easily reach.
- If you lose power, keep the boat headed into the waves by using the anchor.

Learn the storm signals.

PERFORMANCE CRUISER/SUPER SPORT

DAYTIME WARNING	DESCRIPTION	NIGHTTIME WARNING
	Small Craft Advisory - Winds greater than 18 knots, sustained for two hours or more or hazardous wave conditions. Following a storm, hazardous wave conditions can persist long after the high winds have subsided.	
	Gale Warning - Sustained winds (2 or more hours), of 34-47 knots.	
	Storm Warning - Sustained winds of 48 knots or greater.	
	Hurricane Warning - Forecast winds of 64 knots and above. Displayed only in connection with a hurricane.	

 Actual Signal in red

KC-0371

Storm Signals
Figure 7-15

It is best to avoid operating your boat in foggy weather. When fog sets in, take bearings and log courses and speeds. You are required to emit a five-second blast from your horn or whistle once every minute. Additionally, have passengers wear PFDs and watch for oncoming vessels.

SWIMMING AND DIVING

Larger boats produce a wake too big for skiers. Only boats equipped with a ski-tow eye should be used to pull water skiers. It is unlikely that anyone would ski behind your Formula boat, but you should be familiar with water sport safety and hand signals.



KC-0271

Water Sport Hand Signals
Figure 7-16

NOTICE

It is unlawful to participate in water sports while under the influence of alcohol or other drugs.

When participating in water sports, be safe and courteous and follow these guidelines:

- Be considerate to fishermen and others you share the water with.
- Do not perform water sports in congested areas.
- Stay away from navigation markers.
- Stay away from other boats and water sports participants.
- Return immediately to a fallen water sport participant.
- Regularly inspect water sport equipment to ensure it is safe.
- Do not use any fuel burning appliances with a transom exhaust port when swimming from the stern swim platform.

⚠ WARNING

- Water sport participants must wear a USCG approved floatation device. A Type III water ski vest is an approved and practical PFD.
- Keep at least 100 ft away from all other objects.
- When water sporting, have an experienced driver and aft facing observer in the boat.
- Do not water sport in shallow water or at night.
- Do not jump from a moving boat.
- Keep a downed water sporter in sight.
- Turn the engines OFF before you get close to someone in the water.

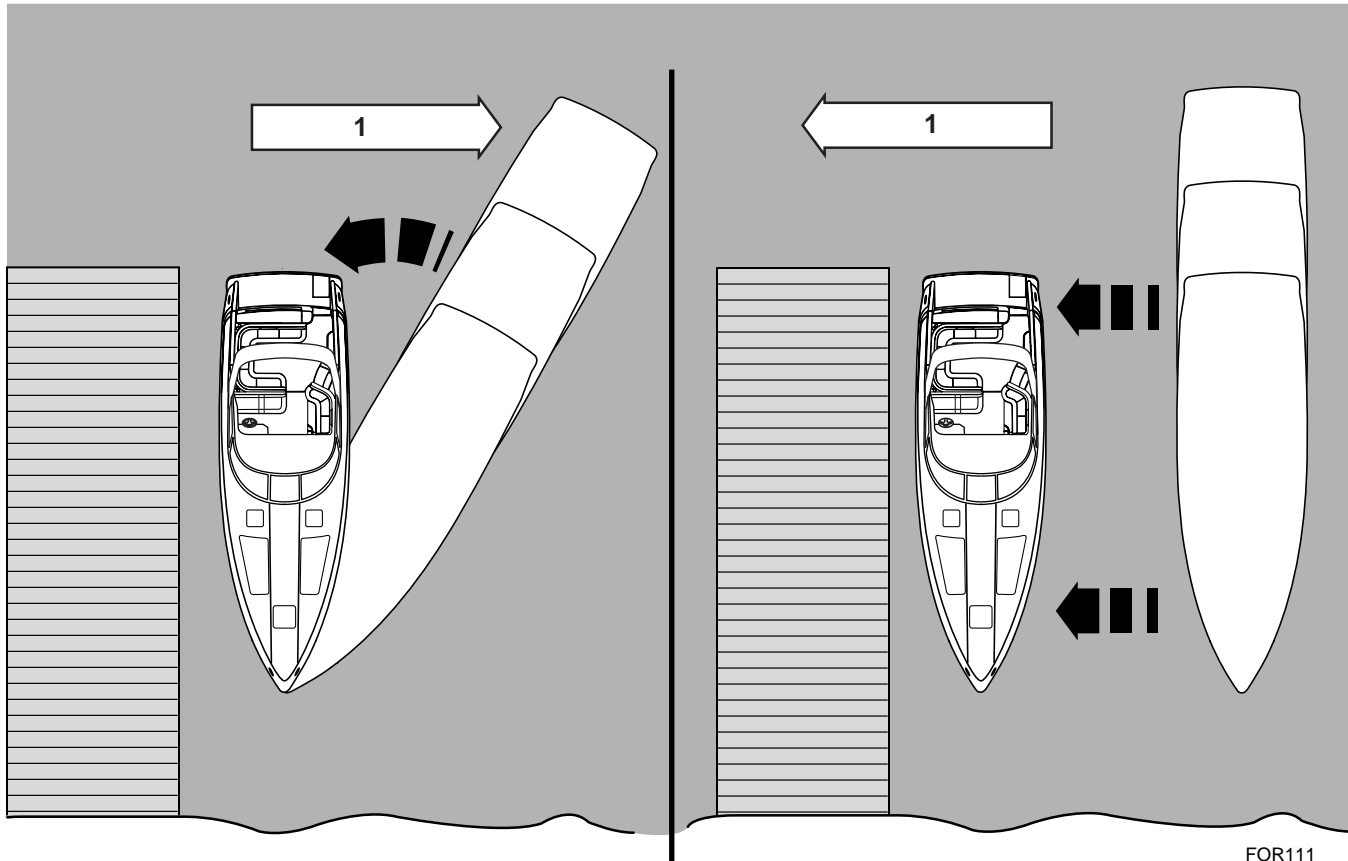
PERFORMANCE CRUISER/SUPER SPORT

DOCKING

Approach a dock slowly and use caution. Plan your maneuvers ahead of time. Allow wind and current movement to help maneuver your boat.

⚠ WARNING

Do not use your hands, arms or another part of your body to attempt to keep the boat from hitting the dock. The boat could push against the dock, causing severe injury.



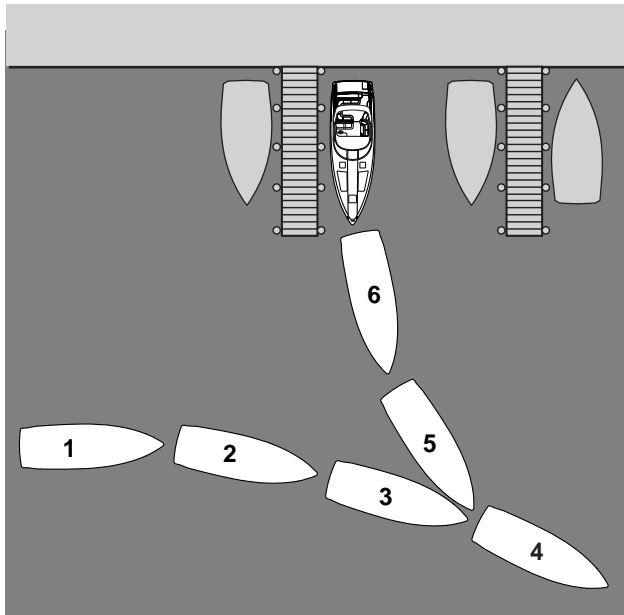
1. Wind or Current

Docking
Figure 7-17

Follow these guidelines when docking:

- Come to a stop a short distance from the dock, then proceed slowly.
- Have your fenders, mooring lines and the crew ready.
- Observe how the wind and current are moving your boat. Approach the dock with the boat pointed into the wind, if possible. If the wind or current is pushing you away from the dock, use a sharper angle of approach. If you must approach the dock downwind or down current, use a slow speed and shallow angle. Be ready to reverse to stop and maintain position.
- If there is no wind or current, approach the dock at a 10° to 20° angle.
- If possible, throw a line to a person on the dock and have that person secure a bow line. If no one is on the dock, maneuver as close as you can, then secure any line to a piling or dock cleat.
- With the bow secure, swing the stern in using engine thrust, or pull it in with a boat hook.

Approaching a Slip



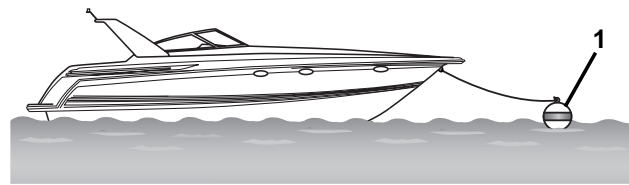
FOR112

Approaching a Slip
Figure 7-18

This maneuver is similar to backing an automobile into a garage or parking space. When approaching a slip:

- Have fenders, mooring lines and the crew ready.
- Turn the boat's stern toward the slip.
- Shift to REVERSE.
- Maneuver slowly into the slip then shift to forward. Use your steering wheel and throttles to align the boat with the slip.
- Once aligned, shift to reverse and continue to back in slowly. Shift to FORWARD when completely in to stop the movement of the boat.
- Shift to NEUTRAL, secure the mooring lines and stop the engines.

Approaching a Mooring



FOR113

1. Mooring Buoy

Mooring to a Mooring Buoy
Figure 7-19

The only buoys you are permitted to moor to are mooring buoys. Mooring to a navigation buoy or other navigational aids or regulatory marker is illegal.

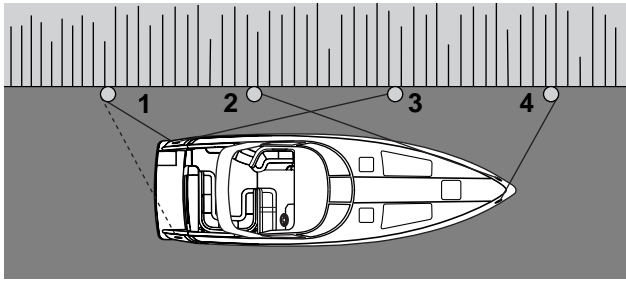
Approach a mooring buoy by heading into the wind or current. Observe the direction of other boats that already lie at mooring buoys. Since they are heading into the wind or current, approach your buoy at the same heading.

- When you think you can move enough forward without using your engines, shift to NEUTRAL.
- Have a crew member positioned on the bow with a hook to retrieve the mooring line. At that point, the crew member should be guiding your maneuvers toward the buoy.
- Turn OFF the engines after the mooring line is attached to the boat.

MOORING LINES

Only use good quality double-braided nylon line. Use chafing protectors on the lines to protect your boat's finish. Only use the cleats, bow eye and stern eyes to secure your boat. Do not use the hand rails or windshield. If possible, tie up your boat with the bow toward the waves and leave a little slack in the lines to allow for some wave movement or tidal action.

PERFORMANCE CRUISER/SUPER SPORT



1. Stern Line
2. Forward Quarter Spring
3. After Bow Spring
4. Bow Line

Mooring Lines Figure 7-20

Use your dock lines to help maneuver the boat near the pier and to secure it. Use the following information to secure your boat to a pile or dock cleat:

The bow line is fastened to the bow cleat and is pulled forward at about a 45° angle. This line keeps the boat from moving astern.

The stern line is fastened to an after cleat and pulled astern at about a 45° angle. This line keeps the boat from moving forward.

The spring lines can help you control the boat when leaving a dock. Be sure to use spring lines when boating in waters where the tide movement is significant. The forward quarter spring line is fastened to a forward cleat and heads aft. The after bow spring is fastened to a stern cleat and heads forward.

USING FENDERS

Be sure to use enough fenders to protect your boat from damage when docking or tying it along side another boat. Fenders protect your boat from scarring the finish and cushion it from striking a solid object.

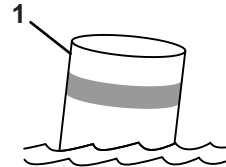
Using different sized and shaped fenders will increase the protection of your boat.

An average size cruiser can use six fenders to protect it from damage.

NAVIGATIONAL HINTS

Learn to recognize the different buoys and day markers; they are the signposts of the waterways. There are two primary marking systems in use in the U.S.; the Uniform State Waterway Marking System (USWMS) used on inland waters and maintained by each state, and the Federal Waterway Marking System (FWMS) used on coastal waters and rivers and maintained by the USCG. In addition, the FWMS has two modified systems; the Western River Buoyage, and the Intercoastal Waterway Buoyage. Be sure to check with local authorities on the buoyage system in use.

The only buoys you are permitted to moor to are mooring buoys. Mooring to a navigation buoy or other navigational aid or regulatory marker is illegal.



1. White with Blue Band—May Show White Reflector or Light

Mooring Buoy Figure 7-21

The type of hazard/warning buoys and markers depend on the area of jurisdiction. Check with local boating authorities.

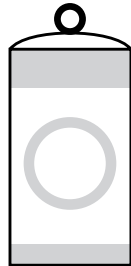
The USWMS Cardinal System is used when there is no well-defined channel or where an obstruction may be approached from more than one direction. With the cardinal system:

- Pass north or east of BLACK-TOPPED WHITE buoys.
- Pass south or west of RED-TOPPED WHITE buoys.
- RED and WHITE VERTICALLY STRIPED buoys indicate boats should pass outside of the buoy (away from shore).

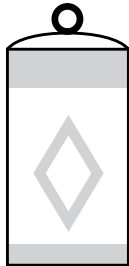
Uniform State Regulatory Markers

USWMS regulatory markers are white with international orange geometric shapes; you must obey regulatory markers.

UNIFORM STATE WATERWAY MARKING SYSTEM (USWMS)



CONTROLLED
AREA



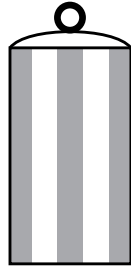
DANGER



BOATS
KEEP OUT



INFORMATION



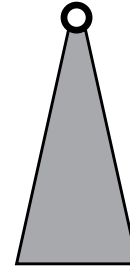
DO NOT PASS
BETWEEN SHORE
AND BUOY



SPECIAL
PURPOSE



NAVIGATE TO
STARBOARD
FACING UPSTREAM



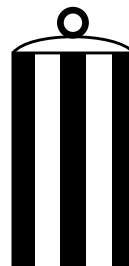
NAVIGATE TO
PORT FACING
UPSTREAM



NAVIGATE TO
SOUTH OR WEST



NAVIGATE TO
NORTH OR EAST



MID-CHANNEL

KC-0411

Uniform State Waterway Marking System (USWMS)
Figure 7-22

PERFORMANCE CRUISER/SUPER SPORT

FWMS

The FWMS Lateral System is for use on navigable waters except Western Rivers and Intercoastal Waterways.

The markings on these buoys are oriented from the perspective of being entered from seaward (the boater is going toward the port). This means that red buoys are passed on the starboard (right) side of the vessel when proceeding from open water into port, and green buoys to the port (left) side.

The right side (starboard) of the channel is marked with RED, even numbered buoys. The left (port) side of the channel is marked with GREEN, odd numbered buoys.


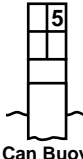
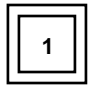
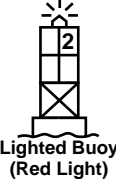
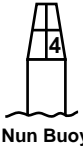

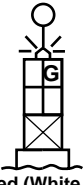



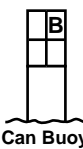
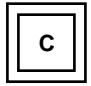

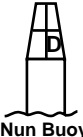

The middle of the channel is marked with RED and WHITE vertically striped buoys; pass close to these buoys.

Obstructions, channel junctions, etc. are marked with RED and GREEN horizontally striped buoys.

A RED band at the top means the preferred channel is to the left of the buoy; a GREEN top band means the preferred channel is to the right of the buoy.

Day markers are colored and numbered the same as buoys. RED, triangular day markers with even numbers mark the starboard side of the channel. GREEN, square day markers with odd numbers mark the port side of the channel.

Lights, bells and horns are used on buoys for night or poor visibility conditions. Buoys with unique light flashing characteristics are identified on nautical charts with the specific flashing pattern.

Lateral Aids Marking the Sides of Channels as seen When Entering From Seaward	Port Side Odd Numbers (Green)	 Lighted Buoy (Green Light)	 Can Buoy	 Daymark
	Starboard Side Even Numbers (Red)	 Lighted Buoy (Red Light)	 Nun Buoy	 Daymark
Safe Water Aids Marking Mid-Channels and Fairways (No Numbers—May be Lettered)	(Red)	 Lighted (White Light)	 Spherical Buoy	 Daymark
Preferred Channel Aids (No Numbers—May be Lettered)	Preferred Channel to Starboard (Green and Red)	 Lighted Buoy (Green Light)	 Can Buoy	 Daymark
	Preferred Channel to Port (Green and Red)	 Lighted Buoy (Red Light)	 Nun Buoy	 Daymark

KC-0441

Federal Waterways Marking System (FWMS)
Figure 7-23

Light Structures

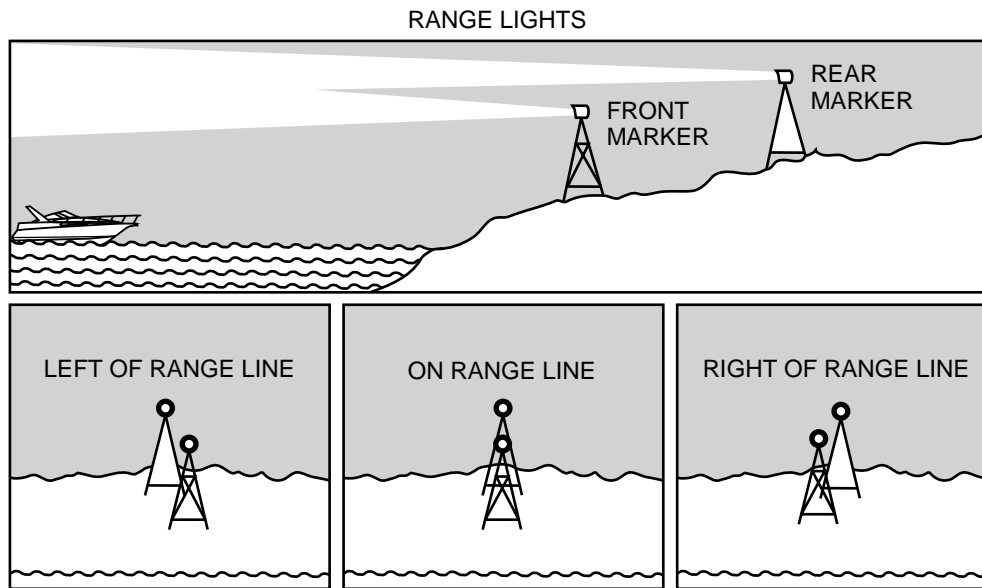
Maneuvering a boat at night can be dangerous and confusing. To aid boaters with navigation and to warn of hazards, the USCG and the state and local authorities maintain a variety of light structures. Some light structures may be equipped with radio beacons, radar reflectors, and/or signals.

Minor Lights

Minor lights are colored according to the buoyage marking system in use. They are similar to lighted buoys, except they are usually higher and on more stable platforms to increase visibility. Most minor lights are part of a series to mark a channel, river or harbor.

Range Lights

Range lights are usually visible in one direction and help a boat operator navigate in a generally safe direction. Steering a course to keep range lights arranged in a line (one on top of the other) will help guide a boat through a channel.



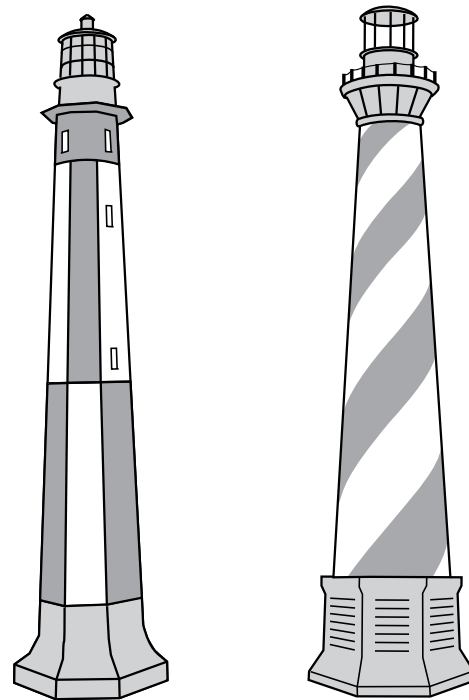
KC-0442

Range Lights
Figure 7-24

PERFORMANCE CRUISER/SUPER SPORT

Lighthouses

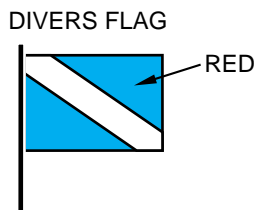
Lighthouses can be found at harbor entrances, prominent headlands, isolated danger areas, and along the coast. These striped or patterned structures have unique flashing characteristics to help identify them.



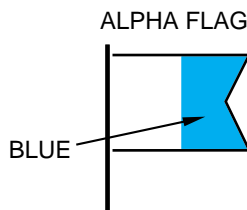
KC-0443

**Lighthouses
Figure 7-25**

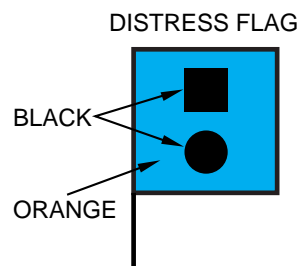
Warning Markers



USED BY
RECREATIONAL
DIVERS -
INDICATES
DIVER'S
POSITION



WORLDWIDE VESSELS
ENGAGED IN DIVING
OPERATIONS - DOES
NOT INDICATE
DIVER'S POSITION



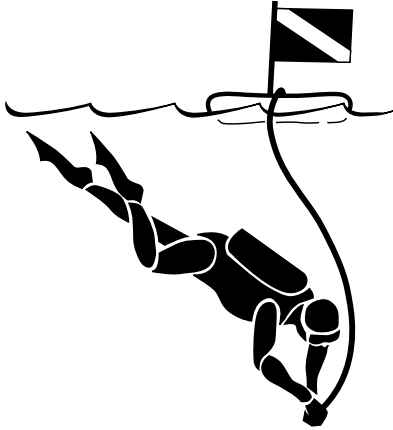
INDICATES
FELLOW
BOATER IS IN
NEED OF
ASSISTANCE

KC-0352

KC-0352

**Warning Markers
Figure 7-26**

It is a good idea to ask local authorities if there are hazardous areas and how they are marked. Boaters must also recognize the flag designs which indicate that skin divers are present and keep well clear of the area.



KC-0250

**Skin Diver Warning Flag
Figure 7-27**

Watch for swimmers. Swimming areas may not be marked. Steer clear from the area and remain alert.



KC-0260

**Swim Area Warning Buoy
Figure 7-28**

Navigation markers serve as a means of identifying navigable routes, and indicate water hazards. Boaters should become familiar with navigation markers and stay within marked boundaries and clear of hazards.

PERFORMANCE CRUISER/SUPER SPORT



Section 8

Schedule Checks and Service

Use the checks and maintenance information outlined in this section along with service information contained within the individual component operator's manuals supplied in your Owner Information Binder. It is extremely important that you read and understand the periodic maintenance tasks outlined in your operator's manuals (propulsion unit, generator and other accessories) because those maintenance tasks are not repeated in this manual.

AFTER EACH RUN

Perform the following tasks after each run.

- Fill fuel tanks to prevent moisture due to condensation.
- To prevent marine growth from accumulating on the hydraulic cylinder shafts, make sure trim tabs are UP and propulsion unit drives are in the full IN position.
- Stow and secure all equipment.
- Pump bilge dry with manual control switch.
- Close all water inlet seacocks.
- If possible, inspect the hull and propellers for damage.
- Check for fuel, oil and water leakage.
- Clean any spills, stains or moisture from the boat. Inspect sea strainers.
- Turn battery switches OFF.
- Secure lockers, hatches and canvas as equipped.

SCHEDULED MAINTENANCE CHECKS

This chart is based on average operating conditions. Shorten the intervals if operating in salt water or other severe operating conditions.

Frequency	Task
Break-in	Refer to propulsion unit operator's manual.
	Refer to generator operator's manual.
Before Every Use	Test operation of carbon monoxide detectors.
	Test operation of fume detector.
	Check remote control for proper operation.
	Check all seacocks, shaft logs, rudder logs and hoses for leaks.
	Check seawater strainers for leaks and accumulation of debris.
	Check propeller shaft logs for water entry (inboard models).
	Check generator's fuel/water separator.
	Check exhaust system for leaks.
	Check fuel system for leaks.
	Check condition of batteries.
Every 50 Hours	Clean seawater strainers.
	Inspect propellers for damage.
Every 100 Hours	Test for proper operation of the ignition safety switches, if equipped.
	Clean bilge area.
Monthly	Test GFCI outlets.
	Check self-sacrificing anodes.
Quarterly	Have your Formula dealer perform scheduled maintenance as outlined in this section.

PERFORMANCE CRUISER/SUPER SPORT

Break-In

Careful break-in allows internal engine components to “seat” properly, resulting in maximum engine life and performance. Refer to the propulsion unit and generator operator manuals for manufacturers’ break-in requirements.

Before Each Use

1. Test for proper operation of the carbon monoxide detector(s). Refer to the carbon monoxide detector operator’s manual.
2. Test for proper operation of the fume detector. Refer to the fume detector operator’s manual.
3. Check the remote control for proper operation and maintenance following the manufacturer’s recommendations.

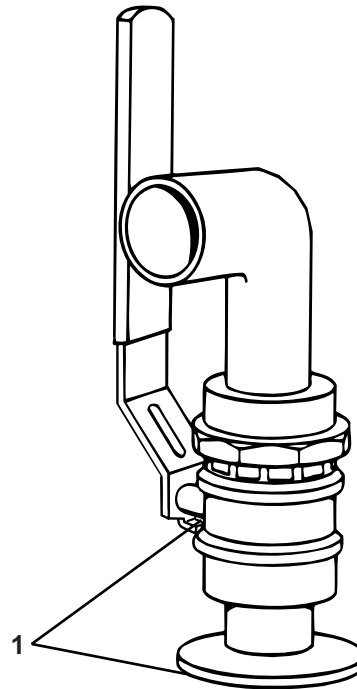
⚠ WARNING

Improperly maintained remote controls are hazardous and may cause sudden loss of control. Make sure all shift/throttle hardware and cables are regularly inspected and maintained. Improper maintenance may result in a loss of control, resulting in serious injury or death.

4. Check all seacocks, shaft logs, rudder logs and hoses for leaks.

CAUTION

- Seacocks can only be replaced when the boat is out of the water.
- Be sure a seacock is in the closed position before replacing a hose.



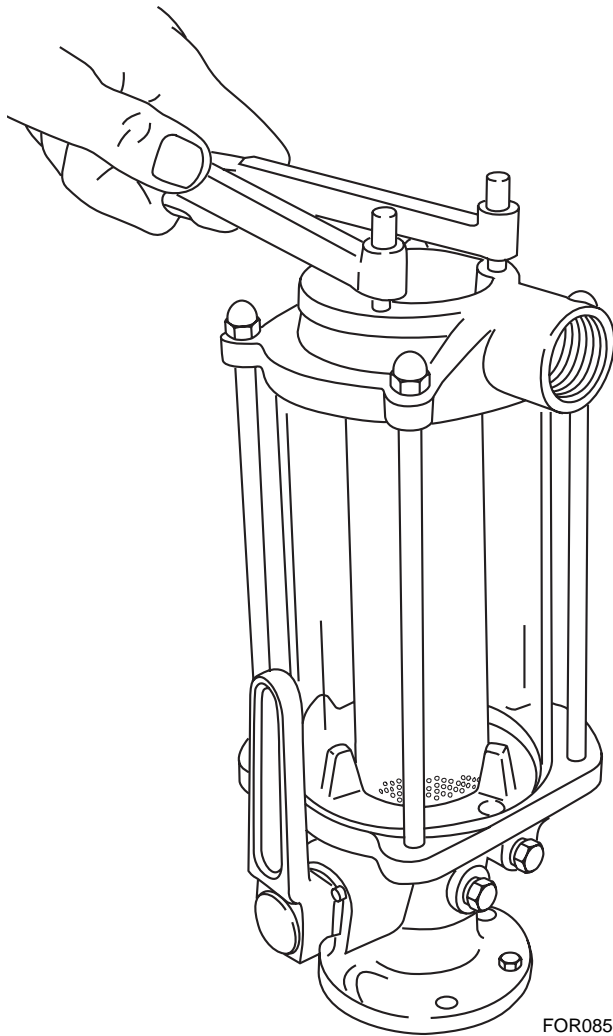
FOR086

1. Check for Leaks

**Seacock
Figure 8-1**

5. Check all seawater strainers for leaks and accumulation of debris.

SCHEDULE CHECKS AND SERVICE



Seawater Strainer
Figure 8-2

- If a hose is leaking or damaged, close the appropriate seacock. Contact your Formula dealer for repairs.
- If debris is seen within the container, close the appropriate seacock and remove the strainer cover. Lift strainer from container and thoroughly clean. If the container is full of sediment, remove the plug at the bottom of the container and allow water to drain into the bilge. Remove the container and clean any sediment. Install the container and plug. Install strainer in container and secure cover. Open the seacock and check for leaks.

CAUTION

Seacock must be in the closed position before servicing a strainer.

6. While operating your boat at cruising speed, inspect the propeller shaft logs (inboard models only) for water dripping. If water dripping is apparent, contact your Formula dealer for service.
7. Start both engines and the generator. Check all exhaust systems for leakage. If you notice a leak, contact your Formula dealer.
8. Check all fuel lines and connections at fuel tanks, engines and the generator for leakage. If you detect a fuel leak, immediately contact your Formula dealer.

⚠ WARNING

Do not operate your boat when a fuel leak is detected. All fuels are combustible. A fuel leak must be repaired before starting the engines or the generator.

9. Check the battery charge of both engine batteries (or battery banks) and the generator battery. Be sure the batteries can start both engines and the generator before proceeding on your cruise.

Every 50 Hours

1. Be sure to clean seawater strainers.
2. Check propellers for damage. If bends, cracks or other damage are found, contact your Formula dealer for service. Do not continue to use badly damaged propellers. Using damaged propellers may damage the drive units.

Every 100 Hours

Clean the bilge area. Make sure all drain passageways are clear.

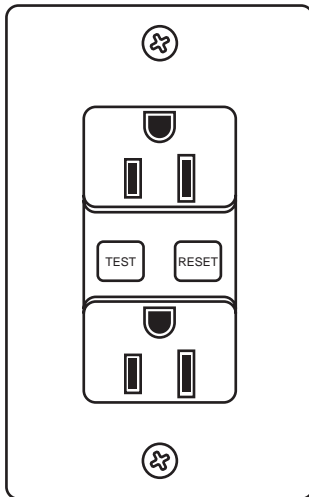
Monthly

⚠ WARNING

With the engines running, pull the lanyard off the ignition safety switch. Both engines must stop running. If neither or only one engine stops running, immediately contact your Formula dealer for service.

1. Test each GFCI outlet circuit breaker feature. Push the test button on each outlet. Power should be interrupted to all the outlets onboard. Press the reset button to restore power. If power is not interrupted, consult your Formula dealer.

PERFORMANCE CRUISER/SUPER SPORT



FOR054

**GFCI Outlet
Figure 8-3**

2. Check the condition of all self-sacrificing anodes (commonly referred to as "zincs"). If an anode shows deterioration of 50% or more, it must be replaced. Refer to the propulsion unit operator's manual for additional information.

Quarterly

Have your Formula Dealer perform the following scheduled maintenance:

⚠ WARNING

The steering system is the most important system on the entire boat from a safety standpoint. Have the system inspected and maintained on a quarterly basis by a qualified service technician.

1. Clean the fresh water filter.
2. Fill, pressurize and inspect the freshwater system for leaks and proper component operation.
3. Inspect the steering, shift and throttle systems for proper operation.
4. Check all batteries for proper electrolyte level.
5. Check trim tab pump fluid level.
6. Check all thru-hulls and log assemblies for leakage.



Section 9

Care and Maintenance

This section describes how to care for and maintain your Formula boat. As the owner of a Formula boat, you have purchased a boat that is easy to clean and maintain. Periodic cleaning will make a large contribution towards your boat's future value as well as add to the enjoyment you experience while using your boat. This is the best way to maintain your Formula's original, "like new" condition.

CAUTION

Certain automotive, household and industrial cleaners can cause further damage and discoloration. Solvents and dry cleaning fluids, or products that contain dyes such as waxes, should be used with caution. Be sure to test cleaners in an unseen area first. The following stain treatments should be used with discretion. Between steps, be sure to rinse thoroughly with clean water and allow to dry.

INTERIOR CLEANING

CAUTION

Most cleaners require adequate ventilation during use. Open all hatches, windows and doors before cleaning.

Carpet

All Formula cockpit carpet is heavy duty, all weather indoor/outdoor type carpet resistant to fading. Cabin carpet is high quality indoor carpet, resistant to staining and wear. Periodic cleaning with a vacuum will restore the original beauty. Use household carpet stain removers and cleaners to clean the carpet.

Cabin Upholstery

Your cabin lounge upholstery is made of UltraLeather HP™. UltraLeather is a tough and durable product that is easy to maintain.

For spots and spills, wipe up liquid using a clean absorbent cloth or sponge. Spot clean with mild soap and water. Allow the spot to air dry. If needed, you may use a hair dryer on the warm setting. For stubborn stains, use a mild solvent and follow instructions on the label.

Type of Stain	Mild Detergent	Mild Cleaning Solvent
Coffee, Tea	■	
Red Wine, Liquor	■	
Soft Drinks	■	
Milk	■	
Ketchup	■	
Steak Sauce, Soy Sauce	■	
Mayonnaise, Butter	■	■
Salad Oil	■	■
Chocolate	■	■
Cosmetic Foundation	■	■
Lipstick	■	■
Face Cream	■	■
Suntan Lotion	■	■
Shoe Polish	■	■
Urine	■	■
Machine Oil		■

PERFORMANCE CRUISER/SUPER SPORT

Cabin Options

Refrigerators, stoves, microwaves and other appliances have individual instruction manuals in your Owner Information Binder. These instruction manuals list the proper care and maintenance of the appliance. If you have any questions after reading the instruction manuals, contact your Formula dealer for assistance.

EXTERIOR CLEANING

Proper care and prevention is the best way to take care of your Formula's boat finish.

Vinyl Upholstery

CAUTION

Suntan lotion and insect repellents can cause rapid staining and deterioration of the vinyl surface. Remove these products immediately after contact. Wash the area with mild soap solution, rinse with clean, warm water and then towel dry.

Your cockpit upholstery is made of Nautolex® marine vinyl. Nautolex is a cleanable, stain-resistant vinyl product designed to take the extremes of weather and still provide years of dependable service with normal use and care. Even though it is designed to take punishment, it can be damaged if a sharp object contacts it.

The Nautolex vinyl upholstery may have PreFixx® protective finish applied to it. Ask your Formula dealer for additional information.

Each week, wipe Nautolex surfaces with a soft damp cloth and towel dry. In very rainy weather, cover or remove the cushions to prevent the seams from trapping and absorbing moisture. Cushions should be stored in a dry, well-ventilated place.

Special Cleaning Instructions—For dirt and stains that cannot be removed with a damp cloth:

- Step 1.** Use mild soap and water and, if necessary, a soft-bristle brush.
- Step 2.** Any stains still remaining should be immediately cleaned with isopropyl (rubbing) alcohol. After using mild soap or isopropyl alcohol, rinse off any remaining residue with a damp cloth and towel dry.

- Step 3.** If a residual stain remains, and your vinyl upholstery is protected with PreFixx, use fingernail polish remover containing acetone. If the stain has not become permanent, it should be removed after rubbing the spot 5 or 6 times. Do not continue to rub a spot with fingernail polish more than 6 times. Additional rubbing could possibly damage the vinyl finish.

CAUTION

Do not use abrasive powders, steel wool, undiluted bleach, lacquer solvents, industrial strength or solvent cleaners, or vinyl "conditioners" or "protectants" to clean your vinyl upholstery.

Recommended cleaning solutions for Nautolex.

Type of Stain	Cleaning Steps for Nautolex	Nautolex with PreFixx
Spray paint	1-2	1-2-3
Ballpoint pen	1-2	1-2-3
Lipstick	1-2	1-2-3
Yellow mustard	1-2	1-2-3
Bird droppings	1-2	1-2-3
Suntan lotion*	1-2	1-2-3
Insect repellent	1-2	1-2-3
Crayons	1-2	1-2
Eye shadow	1-2	1-2
Oily soot	1-2	1-2
Petroleum products	1-2	1-2
Coffee, tea	1	1
Grape juice	1	1
Baby and olive oil	1	1
Chocolate	1	1
Ketchup	1	1
Hair oil tonic	1	1
Blood	1	1
Urine	1	1

* Independent laboratory testing has shown that most sunscreen lotions and oils can permanently stain vinyl products including those protected by PreFixx.

CARE AND MAINTENANCE

Hull/Deck

The high-lustre finish on your Formula boat is called gelcoat. Gelcoat can be easily maintained by washing the surface with mild (non-abrasive) detergent on a regular basis. Do not use abrasive cleaners, solvents, ammonia or chlorine as these will scratch and dull the gelcoat surface.

Wax the entire gelcoat surface with a good quality marine wax at least once a year after a thorough cleaning. Use of a specially formulated marine gelcoat wax will prevent color fade, and soil and scum adhesion.

Your boat will actually perform better with a clean waxed bottom. If a heavy algae is noticed on the bottom, your Formula dealer can recommend a good remover for your particular area.

When taking your boat out of salt water, the entire boat should be washed down with fresh water immediately. This includes the deck, hardware and any surface exposed to the salt water.

To extend the life of your gelcoat finish, cover your boat with a mooring cover for maximum protection. A tonneau cover will only protect the cockpit interior, not the gelcoat finish. Your Formula dealer can supply more information on this subject.

Canvas

In most cases, boat canvas is subjected to more abuse than any other item on the boat. Canvas must be maintained for long life and top performance.

CAUTION

Do not place canvas in hot water or run it through the hot drying cycle of an automatic dryer. Fabric should be line dried. Do not have fabric steam pressed at a dry cleaners.

Formula canvas sets are made from the highest quality Sunbrella® canvas and clear vinyl. With the proper care, this canvas will last you many seasons. Each canvas set is custom fit to each boat to assure a proper fit.

The outer canvas surfaces can be cleaned with a soft scrub brush and mild detergent. The underside of the canvas should be sprayed periodically with a disinfectant to prevent the growth of mildew. Do not use cleaners on clear vinyl curtains and windows. Wash with clean water and a soft, clean cloth.

NOTICE

Do not use any abrasive cleaner on the front, sides or aft curtains as it will scratch or mar the clear vinyl surface.

Moisture, dirt, heat, ultraviolet rays, salt water and chemicals from industrial fallout can all contribute to the deterioration of canvas. These elements can cause serious damage if left unattended. Follow these guidelines to keep your canvas in good condition.

NOTICE

Wet canvas must be allowed to dry thoroughly before storage. Do not allow canvas to dry loose since shrinkage can occur. Canvas must be erected on the boat when drying.

- The convertible top is not designed to withstand long periods of time exposed to the elements and direct sunlight. It is not designed to be a protective cockpit or storage cover. Use a full, properly fitted mooring cover for these purposes.
- If the canvas gets wet during storage, remove the side curtains and open the windshield to allow seams to dry out. The air circulation will allow all canvas to dry and prevent the growth of mildew. Do not store folded or rolled up damp canvas.
- Occasionally set up all canvas and curtains and hose down with fresh water to remove accumulated soot and dirt. Sweep or brush the underside of the canvas to prevent the accumulation of dirt and mildew.
- Do not store or dock your boat under trees. Tree sap is very corrosive to canvas and can also be harmful to gelcoat and vinyl interiors.
- Adjust the top bows to eliminate pockets in which rain water can accumulate. The weight of this accumulated water can collapse the top or sag the canvas.
- Do not trailer your boat with the convertible top in the mounted position. All canvas should be dismantled, rolled and properly stored while trailering your boat to prevent wind damage.

When setting up the canvas, be sure to zip in the side and aft curtains before using the snaps. Snaps and zippers should be regularly lubricated with Vaseline, silicone spray or paraffin.

PERFORMANCE CRUISER/SUPER SPORT

Do not force zippers. The most vulnerable part is the starting point. Be careful when starting a zipper to prevent damage.

NOTICE

Teak preservatives and oils can be harmful to other materials. Make sure you thoroughly remove any of these products if they come in contact with the gelcoat surface, vinyl or canvas.

Hardware Care

Deck fittings, cleats and bow rails are stainless steel. Frequent washing with a mild detergent should bring back the original shine. Remove rust spots as soon as possible with a brass, silver or chrome cleaner. Apply a coat of wax to protect the finish.

NOTICE

Do not use coarse abrasives like sandpaper or steel wool, or cleaning agents like mineral acids or bleaches to clean stainless steel. Do not allow stainless steel components to contact iron, steel or other metals which can cause stainless steel to rust or corrode.

Periodically check deck fittings, cleats and bow rails for tightness. Have your Formula dealer tighten any loose items.

Radar Arch

Depending on your model boat, the radar arch is constructed from either aluminum or fiberglass and has a very durable finish. Wash the arch with a mild detergent and a clean soft cloth. Apply a non-abrasive wax to the finish.

Windows and Windshield

All Formula windshields, wing windows and walk-through windows are of tempered glass construction. They can be cleaned with a non-abrasive glass cleaner applied with a soft cloth. Do not use a dry cloth or a harsh detergent. These items will scratch the surface.

Marine Growth

If accelerated marine growth is a problem in your area, an anti-fouling bottom paint may be necessary to slow growth and prevent gelcoat damage. Consult your Formula dealer for anti-fouling bottom paint recommendations.

UNSCHEDULED MAINTENANCE

Periodically check cleats, seats, fittings, windshield mounting hardware and other items for tightness and proper operation. A problem with a piece of equipment can occur at anytime. Have your Formula dealer service a problem. The safety of you and your passengers depends upon a well maintained boat.

Immediately service any problem with an engine, propulsion unit or generator. A minor repair could become a major overhaul if left unchecked. Pay close attention to the cooling system operation of these components.

Propulsion Units and Generator

Follow the maintenance schedules outlined in your propulsion unit and generator operator's manuals. Obtain the required service at the specified interval from your Formula dealer.

Electrical System

WARNING

Use extreme caution when checking for an electrical problem.

An electrical system problem must be treated seriously. Do not operate your boat knowing there is a problem with the system. When a problem is discovered, have your Formula dealer service it immediately.

NOTICE

The electrical system is designed to protect you from short circuits and overloads. Any modifications to the system, such as adding electrical accessories should be done by a qualified technician.

CARE AND MAINTENANCE

Batteries

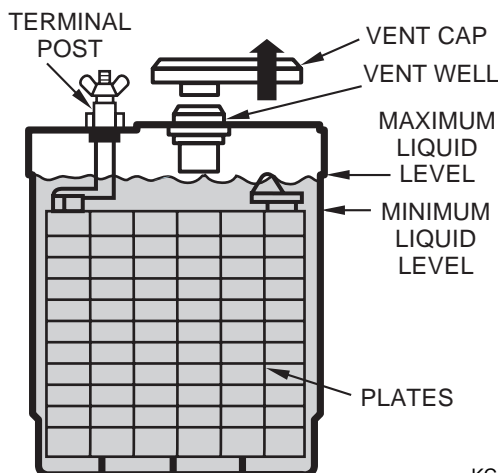
⚠ WARNING

Batteries contain sulfuric acid which can cause severe burns. Wear eye protection and protective clothing to avoid contact with skin.

Check the batteries frequently for signs of corrosion. If corrosion is found, clean terminal posts with a baking soda and water solution and a wire brush. Before cleaning, remove the vent caps and seal the vent wells with corks to prevent the solution from getting inside the battery.

NOTICE

Some batteries are sealed and cannot be filled.



Battery
Figure 9-1

Check the fluid levels in the battery cells. A level approximately 1/4 to 1/2 in. (6 to 13 mm) above the plates is sufficient. If needed, fill with distilled water. Do not overfill.

⚠ WARNING

Batteries produce explosive hydrogen gas. Do not attempt to start an engine with jumper cables under any circumstances. Keep all sparks, flames and smoking material away from batteries. The risk of a spark at the battery post, igniting gasoline or hydrogen fumes, is too great.

Circuit Breakers

All electrical circuits are protected from overload by the use of circuit breakers. In the event of an overload or short circuit, the circuit breaker will trip. You should determine and correct the cause of a problem before resetting the circuit breaker. Contact your Formula dealer if a circuit breaker continues to trip.

CAUTION

Determine and correct the cause of a problem before resetting a tripped circuit breaker.

To reset a push-button circuit breaker at the remote circuit breaker panels, wait about one minute for the breaker to cool. Push the breaker button in fully.

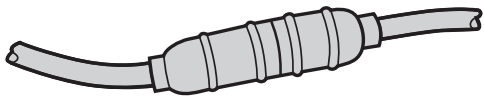
To reset a switch-type circuit breaker at the cabin distribution panel, wait about one minute for the breaker to cool. Push the breaker tab back into place.

Some accessories, such as the stereo, have a fuse located in the positive lead. Refer to the accessories operator's manuals in your Owner Information Binder for the location of in-line fuses.

⚠ WARNING

Do not exceed the recommended fuse size or bypass the fuse safeguard. Install the proper type and rating fuses whenever replacing or changing fuses. Continuous fuse failure indicates a severe problem and requires immediate attention. Failure to install the correct fuse may result in damage to the electrical system or personal injury.

PERFORMANCE CRUISER/SUPER SPORT



(TWIST AND PULL TO OPEN)

KC-1640

Typical In-Line Fuse Holder
Figure 9-2

Fuel System

⚠ WARNING

All fuels are combustible. Check the fuel system before each use. Do not operate the boat when a fuel leak is found. A fuel leak must be repaired before starting the engines or generator.

The fuel system should be inspected before each use. Fuel lines, fuel filters and other fuel system components should be checked for leaks. Fuel vents must be free from obstructions. Surface cracking on a fuel hose indicates wear and must be replaced. Use fuel system parts certified for marine use. Do not substitute automotive parts in a marine application.

Water System

Fresh Water—The following maintenance should be performed each month to keep the fresh water system clean and sanitary:

- Use the faucets and shower to drain the fresh water tank completely. Refill the tank with at least 20 gallons of clean, fresh water and drain again.

If the water in the tank has been allowed to stagnate and you suspect that the fresh water system may be contaminated, sanitize the system.

- Drain the fresh water tank completely.
- Mix a solution of 2-1/2 cups (20 oz.) of household bleach to 10 gallons of water. Pour the solution into the fresh water tank.
- Fill the tank with clean, fresh water.
- Turn the fresh water pump ON and bleed the air from all faucets and showers. Start with the faucet farthest from the pump.
- Allow the solution to stand for 3 to 4 hours. Drain the system completely.

- Flush the system with at least one full tank of water.
- Fill the tank with clean, fresh drinking water. If you smell or taste bleach in the water:
- Drain the system completely.
- Mix a solution of one quart of white vinegar to 5 gallons of water. Pour the solution into the tank.
- Allow the solution to remain in the tank for several days.
- Drain the system completely.
- Flush the tank with at least one full tank of water.
- Fill the tank with clean, fresh drinking water and bleed the air from all lines.

Gray Water—Make sure the waste system is always operating properly. Periodically check the level of waste water and have the tank pumped out when needed.

BILGE

The bilge accumulates oil and greasy dirt over a period of time. Usually, ordinary soap and water will not remove the accumulation. The use of a stronger detergent is necessary. Consult your Formula dealer for recommendations on special bilge cleaning products.

CORROSION AND ELECTROLYSIS

Corrosion destroys underwater metal parts and can occur in fresh or salt water. Salt, brackish and polluted waters will accelerate corrosion.

Galvanic corrosion (electrolysis) can result in serious damage to any metal component of your Formula boat that is in the water. Galvanic corrosion is the deterioration of metals due to the effects of electrolytic action. When dissimilar metals are immersed in a conductive fluid such as salt water, an electric current is produced, similar to the action of a battery. The softest of the metals will be the first to become damaged.

Galvanic corrosion can occur in fresh or salt water, however, salt, brackish and polluted waters accelerate galvanic corrosion.

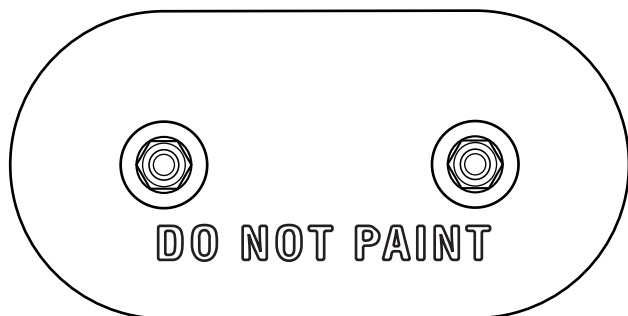
CARE AND MAINTENANCE

GALVANIC CORROSION PROTECTION

NOTICE

Refer to the propulsion unit operator's manual for their requirements for galvanic corrosion protection.

A self-sacrificing anode can be mounted to your Formula boat to help prevent damage to metal components from galvanic corrosion. The anode will require frequent inspections. If the anode shows deterioration of 50% or more, it must be replaced for continued protection.



FOR023

Self-Sacrificing Anode
Figure 9-3

CAUTION

Do not paint an anode, its fasteners or its mounting surface. Painting will reduce the anode's corrosion protection capabilities.

Wash the entire boat after each use in salt water. If you continue to operate in salt water, the entire boat should be protected against salt water damage as described in **Exterior Cleaning**, in this section.

PERFORMANCE CRUISER/SUPER SPORT



Section 10 Storage

Storage/winterization requires special preparation to prevent damage to the boat, propulsion units, generator and other equipment. Perform all annual maintenance at this time.

Without proper preparation, storage for long periods of time may cause internal parts of the engine and drive units to rust due to a lack of lubrication. Water inside the bilge or cooling system may also freeze and cause damage to components if the boat is stored in below freezing temperatures. Damage to the boat due to improper storage will not be covered by the warranty. The following procedures should help prevent damage to your boat.

IN-WATER STORAGE PREPARATION

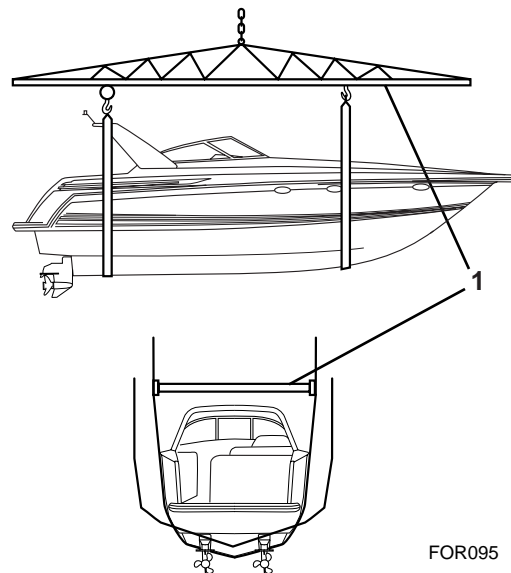
While the boat is still in the water, fill the fuel tanks and add the proper amount of fuel stabilizer and conditioner. Follow the instructions on the label. Operate the engines and generator for at least 15 minutes to be sure the treated fuel has reached them.

NOTICE

Follow the engines and generator's recommendation for treating the equipment with a rust preventative fogging oil. Fogging oil should be used if the boat is to be stored in a high moisture (humidity) environment, in extreme temperatures or stored outdoors.

LIFTING THE BOAT

To prevent structural damage to your Formula boat, the proper procedure must be used when lifting your boat. The recommended method of removing the boat from the water is to use lifting slings. Slings must be the flat, wide belting-type. Do not use cable-type slings. The spreader bars used with the slings must be long enough to avoid pressure to the gunwales.



FOR095

1. Spreader Bar

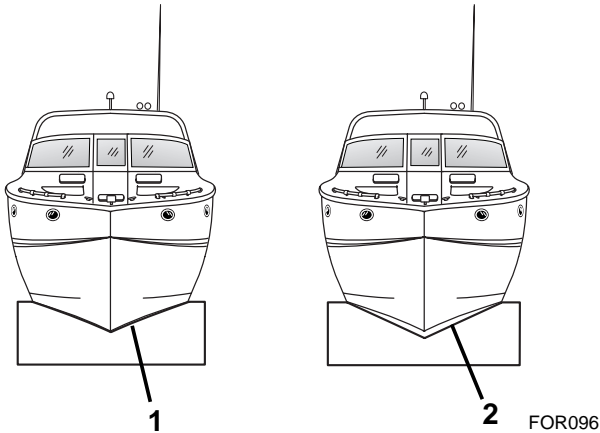
Lifting with Slings
Figure 10-1

PERFORMANCE CRUISER/SUPER SPORT

STORAGE CRADLE

A storage cradle will provide proper support and prevent stress on the hull. Position the storage cradle as close to the sling tag locations as possible. Use caution not to damage any underwater fittings.

The storage cradle must completely touch the hull for proper support. Avoid any gaps between the cradle and the hull.



1. Hull completely on cradle—right
2. Gap between hull and cradle—wrong

Storage Cradle
Figure 10-2

Store your Formula boat on a storage cradle with the bow elevated. Remove the transom drain plug. Be sure all compartments in the bilge drain completely to prevent mold and mildew. Mold and mildew may form as a result of the inability of moisture to escape.

STORAGE/WINTERIZATION

Preparing for winter lay up is important. In frigid zones, be particularly attentive to items that can be damaged by freezing. Freeze damage is not covered by warranty.

1. After the boat has been properly positioned on a storage cradle, thoroughly wash the hull, deck and interior compartments. Allow a couple of days of air drying before covering the boat. Store all cushions in the open position and open all storage areas. This will help prevent mold/mildew from forming. Perform preventative maintenance to the interior and exterior of your boat following the information in **Care and Maintenance**, in **Section 9**.

2. Refer to the manufacturer's storage recommendations for the following items that require special attention for winterization:

- Propulsion units—engine, drive unit and exhaust
- Generator and muffler
- Hot water heater
- Air conditioning
- Ice maker
- Refrigerator
- Head and waste system

3. Open all faucets and allow the fresh water pump to empty the water tank and water lines.

4. Remove strainer and seacock drain plugs. Open all drains and seacocks.

5. Remove the batteries from the boat. Clean and check their condition. Store the batteries in a cool, dry place, out of direct sunlight. Do not store the batteries close to heat, spark or flame producing devices. Check the electrolyte level and charge them periodically during the storage period.

6. Cover the boat with the mooring cover. If a temporary poly cover, such as shrink wrap is used, vents must be installed to provide adequate ventilation to prevent mold or mildew.

RE-ACTIVATING THE BOAT AFTER STORAGE

There are many systems that require special attention to ensure your boat is in proper operating condition.

1. Refer to the manufacturer's recommendations and prepare the following items for use:

- Carbon monoxide detector(s)
- Fume detector
- Engine's cooling, exhaust and lubrication systems
- Hot water heater
- Air conditioning
- Refrigerator
- Ice Maker
- Generator and muffler

It is very important that both the engine and generator fuel systems and their exhaust systems be thoroughly inspected and repaired, if necessary, before operating the boat. Also, all of the accessory exhaust systems must be in proper operating condition.



WARNING

Failure to inspect the fuel system could allow fuel leakage to go undetected, becoming a fire or explosion hazard.



DANGER

Carbon monoxide gas (CO) is colorless, odorless and extremely dangerous. All engines and fuel burning appliances produce CO as exhaust. Direct and prolonged exposure to CO will cause BRAIN DAMAGE or DEATH. Signs of exposure to CO include nausea, dizziness and drowsiness.

2. Make sure the batteries are fully charged before installing.
3. Fill the fresh water tank then check the system for proper operation.
4. Install the strainer and seacock drain plugs. Open and close the seacock to check operation.
5. Check condition of all hoses and make sure all hose clamps are tight.
6. Check for proper operation of the steering, shift and throttle systems.
7. Check condition of all fire extinguishers.
8. Check drive unit and trim tab fluid levels.

PERFORMANCE CRUISER/SUPER SPORT



Section 11

Troubleshooting

The chart in this section is designed to assist you in locating and repairing minor mechanical, electrical and boat system problems. Special tools and trained personnel may be required to correct some problems. Please have your Formula dealer assist you with service issues.

Your Formula boat is equipped with an ignition safety switch(es). Make sure the lanyard(s) are installed on the switch(es). Please consult your Formula dealer for assistance.

Engine

For further troubleshooting information other than what's given here, refer to the propulsion unit operator's manual.

⚠ WARNING

- **Gasoline is flammable. Use extreme caution when handling gasoline.**
- **Use extreme caution whenever checking for electrical problems.**
- **Battery acid can cause blindness if splashed in eyes; may burn skin.**
- **Disconnect battery cables at the battery before making checks or adjustments around the engines and electrical components.**

PERFORMANCE CRUISER/SUPER SPORT

Symptom	Possible Cause
Engine will not crank	Lanyard– install on ignition safety switch, if equipped.
	Battery switch – turn to ON position.
	Shift position – check to see that lever is in start or NEUTRAL position.
	Battery condition – battery must be fully charged.
	Starter connections – check connections and tighten. If solenoid clicks when attempting to start engine, check battery connections. If condition persists, see your Formula dealer.
	Engine circuit breaker – breaker must be in operating position.
	Faulty ignition switch – see Formula dealer.
	Engine problem – see your Formula dealer.
Engine cranks but will not start	Contaminated fuel – see Formula dealer.
	Engine problem – see Formula dealer.
Low starter speed	Weak or bad battery – see Formula dealer.
Engine runs erratically	See your Formula dealer.
Engine vibrates	Propeller condition – shut off engines. Check for bent, broken or damaged propeller. Check for weeds on propeller.
	Engine problem – see your Formula dealer.
Excessive vibration, inboard models	Bent propeller or shaft – see Formula dealer.
	Engine and shaft misaligned – see Formula dealer.
	Engine or transmission touching hull – see Formula dealer.
	Bent rudder – replace rudder.
	Engine-to-shaft coupling out-of-round – have alignment checked.
	Worn strut, engine or transmission bearing – replace bearing.
Engine runs but boat makes little or no progress	Fouled or damaged propeller – shut off engines. Check for weeds on propeller, bent or broken propeller. See your Formula dealer.
Performance Loss	Throttles not fully open – check to see that both throttles open fully at engines.
	Improper fuel – fill tanks with correct fuel.
	Overheating – immediately turn off the engines and contact your Formula dealer.
	Boat overloaded – reduce load.
	Boat trim – distribute boat load evenly.
	Improper propeller selection – see Formula dealer.
	Excessive bilge water – check for excessive water, drain bilge.
	Boat hull condition – clean if marine growth is present.
Lack of power	Throttle not fully open – adjust throttle linkage.
	Contaminated fuel – drain fuel tank and lines. Flush with clean fuel and replace fuel filters.
Hard shifting	Corroded or pinched linkage.

TROUBLESHOOTING

Electrical

CAUTION

Correct a problem with the electrical system before resetting a circuit breaker.

Symptom	Possible Cause
Electrical component will not function	Circuit breaker tripped or in the OFF position – correct the problem and reset; turn circuit breaker ON.
Dim or no lights	Circuit breaker tripped or in the OFF position – correct the problem and reset; turn circuit breaker ON.
Generator will not start	Battery switch in OFF position – turn switch to ON position.
	Engine problem – see Formula dealer.
No AC power	Circuit breakers tripped or in the OFF position—correct the problem and reset.
	Ground fault circuit interrupter tripped—reset button on the outlet and test. If problem exists—see Formula dealer.

Plumbing

Symptom	Possible Cause
No water at shower or sinks	Fresh water pump circuit breaker tripped or in the OFF position – correct the problem and reset; turn circuit breaker on.
	Fresh water tank empty.
	Fresh water pump defective – see Formula dealer.
	Filter plugged – clean filter.
Low water pressure at all sinks and shower	Damaged fresh water pump – see Formula dealer.
Low water pressure at only one sink	Restriction or obstruction in water line.
Head will not flush	Head circuit breaker tripped or in OFF position – correct the problem and reset; turn circuit breaker ON.
	Line to waste tank blocked – see Formula dealer.
	Holding tank full – pump out tank.

PERFORMANCE CRUISER/SUPER SPORT



Section 12 ***Warranty and Service***

Each Formula is protected by a combination of original manufacturers' warranties and supplemental product protection, which provides comprehensive coverage for a minimum of five years from the boat's original purchase date. In general, Formula and the boat's major component manufacturers (engines, transmissions, generator) administer warranty for the first year of ownership. Thereafter, a supplemental product protection plan – Formula Guard – takes over, providing extended coverage for many factory-installed accessories and components, including the major components noted above. Following is a general breakdown of warranty coverages:

Item Description	Administrator	Coverage Period
Most component materials and small purchased parts and accessories	Formula (1st year only) and Formula Guard Administrator (years 2-5)	Total of five (5) years
Propulsion system components (engines, outdrives, transmissions), major electronics and appliances (generator, GPS, radar, autopilot, refrigerator, ice maker, etc.	Original Manufacturers (1st year only) and Formula Guard Administrator (years 2-5)	Total of five (5) years (see manufacturers' literature for specifics regarding original warranties' duration)
Materials used in fabrication of Thunderbird-produced canvas products (e.g., cockpit covers, storage coves)	Formula	Two (2) years
Gel coat finish - protection against osmotic blistering, air voids, and crazing/cracking if attributed to manufacturing defect	Formula	Two (2) years
Materials used in fabrication of Thunderbird-produced cockpit seating structures (e.g., vinyl, foam, and thread)	Formula	Five (5) years
Hull and deck structural elements, including stringers, supporting bulkheads, and fiberglass matrix grid systems	Formula	Ten (10) years

PERFORMANCE CRUISER/SUPER SPORT

THUNDERBIRD LIMITED WARRANTY POLICY

Beginning in model year 2004, FORMULA boats, by THUNDERBIRD PRODUCTS, are warranted to the original retail purchaser for a period of:

- One (1) year – general defects in materials and workmanship, including most materials, components and accessories used in the boat's construction.
- Two (2) years - materials used in the fabrication of any canvas product manufactured by THUNDERBIRD PRODUCTS (i.e., cockpit covers, storage covers).
- Two (2) years – gel coat finish, to include protection against osmotic blistering, air voids, and crazing/cracking if attributed to manufacturing defect.
- Five (5) years - materials (e.g., vinyl, foam, and thread) used in cockpit seating structures manufactured by THUNDERBIRD PRODUCTS.
- Ten-years (10) - hull and deck structural defects. Structural elements include stringers, matrix grid systems, bulkheads, and pultrusions.

Each warranty period listed above begins on the date of delivery to the original retail purchaser. **These warranties exist provided that the purchaser has used, maintained and stored the same in accordance with THUNDERBIRD'S recommendations and procedures described in the FORMULA Owner's Manual.**

During these periods, the warranty repairs shall be made at the dealer's store or service center, or at THUNDERBIRD'S option at the THUNDERBIRD manufacturing plant. Transportation charges on FORMULA boats, if any, to and from the dealer's service center or to and from the THUNDERBIRD manufacturing plant, shall be the sole responsibility of the owner.

This warranty may be transferred to a second or subsequent owner of the boat provided that the second or subsequent owner notifies THUNDERBIRD in writing within 30 days of the change of ownership and pays THUNDERBIRD the established transfer fee. A transferred warranty shall be limited in duration to the periods set forth herein, and the second or subsequent owner shall be required to use, maintain and store the boat in the manner described above.

All repairs under the terms of this warranty are subject to authorization of the factory-trained personnel whose decision shall be final in all events.

The sales personnel or other employees of the selling FORMULA dealer are not authorized to make warranties concerning FORMULA boats. The dealer's employees' ORAL STATEMENTS DO NOT CONSTITUTE WARRANTIES, shall not be relied upon by the purchaser, and are not part of the contract of sale. The dealers are not agents of THUNDERBIRD. NO OTHER WARRANTIES ARE GIVEN BEYOND THOSE SET FORTH HERIN.

THE WARRANTY PROVIDED HEREIN IS IN LIEU OF ALL OTHER EXPRESS WARRANTIES AND MAY NOT BE EXTENDED OR MODIFIED BY ANYONE. TO THE EXTENT ALLOWED BY LAW, ANY IMPLIED WARRANTIES, INCLUDING ANY IMPLIED WARRANTIES OF MERCHANTABILITY OR FITNESS FOR A PARTICULAR PURPOSE ARE LIMITED IN DURATION OF THE WRITTEN WARRANTY. CORRECTION OF NON-CONFORMITIES, IN THE MANNER AND FOR THE PERIODS OF TIME AS SET FORTH ABOVE, SHALL CONSTITUTE FULLFILLMENT OF ALL LIABILITIES OF THUNDERBIRD TO THE PURCHASER WHETHER BASED ON CONTRACT, NEGLIGENCE OR OTHERWISE.

THUNDERBIRD PRODUCTS SHALL NOT, UNDER ANY CIRCUMSTANCES, BE LIABLE FOR INCIDENTAL, CONSEQUENTIAL OR SPECIAL DAMAGES SUCH AS, BUT NOT LIMITED TO: DAMAGE TO OR LOSS OF OTHER PROPERTY OF EQUIPMENT, LOSS OF PROFIT, COST OF PURCHASED OR REPLACEMENT GOODS, CLAIMS OF CUSTOMERS OF THE PURCHASER, FAILURE TO WARN AND/OR INSTRUCT, OR LACK OF SEAWORTHINESS. THE REMEDIES OF THE PURCHASER SET FORTH HEREIN ARE EXCLUSIVE, AND THE LIABILITY OF THUNDERBIRD PRODUCTS SHALL NOT, EXCEPT AS EXPRESSLY PROVIDED HEREIN, EXCEED THE PRICE OF THE GOODS UPON WHICH SUCH LIABILITY IS BASED.

WARRANTY AND SERVICE

Some states do not allow limitations on how long an implied warranty lasts or the exclusions or limitations of incidental or consequential damages, so the above limitations or exclusions may not apply to you. This warranty gives you specific legal rights and you may have other legal rights, which vary from state to state.

THIS WARRANTY DOES NOT APPLY TO THE FOLLOWING:

1. Equipment and accessories not manufactured by THUNDERBIRD (engines, outdrives, generators, refrigerators/ice makers, air conditioning systems, instruments, controls, propellers, and optional electrical equipment are generally covered by warranties of the manufacturer supplying those units);
2. Installation of engines by persons other than THUNDERBIRD, or the misuse, neglect or lack of proper maintenance of the boat.
3. Components that have been altered.
4. Failure of any cockpit cover which has been used while trailering the vessel.
5. Windshield breakages or damage.
6. Cost for haul-out, launch, lift charges, towing, travel time charges and storage costs, and inconveniences or loss of time or income.
7. Any FORMULA boat that is modified for operation, in any contest of speed, acceleration, or endurance whatsoever.
8. Any guarantee whatsoever that a particular boat will achieve a certain level of performance relating to speed, range, fuel consumption or performance characteristics.
9. Any FORMULA boat that is used for commercial purposes. A vessel that is used 50% or more of the time for business or revenue-producing purposes is considered a commercial vessel.
10. Transportation charges on FORMULA boats, if any, to and from the dealer's service center or to and from the THUNDERBIRD manufacturing plant.

Due to a continuing program of product development and improvement, THUNDERBIRD reserves the right to change FORMULA specifications, features and prices without notice.

NOTE: In addition to the Thunderbird Limited Warranties, ***Formula Guard Extended Protection*** provides transferable supplemental coverage for the propulsion system and many components and accessories on each Formula boat for five years from the date of delivery to the original retail purchaser. See the Formula Guard owner's manual for specific coverage parameters.

The manuals and warranty information for Formula, Formula Guard and major components can be found in the OWNER INFORMATION BINDER included with your boat. For additional information on individual warranties, contact your selling dealer.

PERFORMANCE CRUISER/SUPER SPORT



Section 13
Forms

SERVICE LOG

Date	Hour Reading	Service/Repairs Performed

FLOAT PLAN

Copy this page and fill out the copy before boating. Leave the filled out copy with a reliable person who can be depended upon to notify the USCG or other rescue organization, should you not return as scheduled. Do not file this plan with the USCG.

Name _____ Telephone _____

Description of Boat: Type _____ Color _____ Trim _____

Registration Number _____

Length _____ Name _____ Make _____

Other Info. _____

Persons Aboard: Name _____ Age _____ Address & Telephone _____

Engine Type: _____ HP _____

No. of Engines: _____ Fuel Capacity: _____

Survival Equipment:

PFDs _____ Flares _____ Mirror _____

Smoke Signals _____ Flashlight _____ Food _____

Paddles _____ Water _____ Anchor _____

Raft or Dinghy _____ EPIRB _____

Radio: Yes _____ No _____ Type _____ Freq _____

Destination _____ Est. Time of Arrival _____

Expect to Return By _____

Auto Type _____ License No. _____ Parked _____

If not returned by _____ call the Coast Guard, or _____

(Local Authority). Coast Guard Telephone Number: _____

Local Authority Telephone Number: _____

PERFORMANCE CRUISER/SUPER SPORT

USEFUL INFORMATION

Store this information in a safe place other than your boat.

Owner _____

Home Port _____

Boat Name _____

Selling Dealer _____

Ignition Key Number(s) _____

Registration Number _____ State _____

Hull Serial Number _____ Warranty Registration Date _____

Engine Make and Model Number _____

Port Engine Serial Number _____

Starboard Engine Serial Number _____

Port Drive Serial Number _____

Starboard Drive Serial Number _____

Propeller Size _____

Generator Make and Model Number _____ Serial Number _____

VHF Radio Make and Serial Number _____ Serial Number _____

TRANSFER FORM

To transfer the Formula Guard Extended Protection to the second owner, complete this form and submit it to the Administrator. Please retain copies for your records. The new owner will receive an Identification Card reflecting their customer information.

Please allow 90 days for transfer processing.
Claims are eligible for coverage anytime during the processing period.

Plan Holder _____ Plan Number _____

Transfer To:

Customer _____ Date of Sale _____

Address _____

City _____ State _____ Zip _____

Telephone _____ Business Telephone _____

I understand that I am entitled to only the coverage listed in the Formula Guard Extended Protection booklet. I agree to contact the Administrator (1-800-867-7626) immediately, if I do not receive the Identification Card, which validates this Formula Guard Extended Protection, within 90 days of the above date.

Transferee Signature

Complete the form and fax to:
Interstate National Dealer Services, Inc.
(516) 745-1986

PERFORMANCE CRUISER/SUPER SPORT